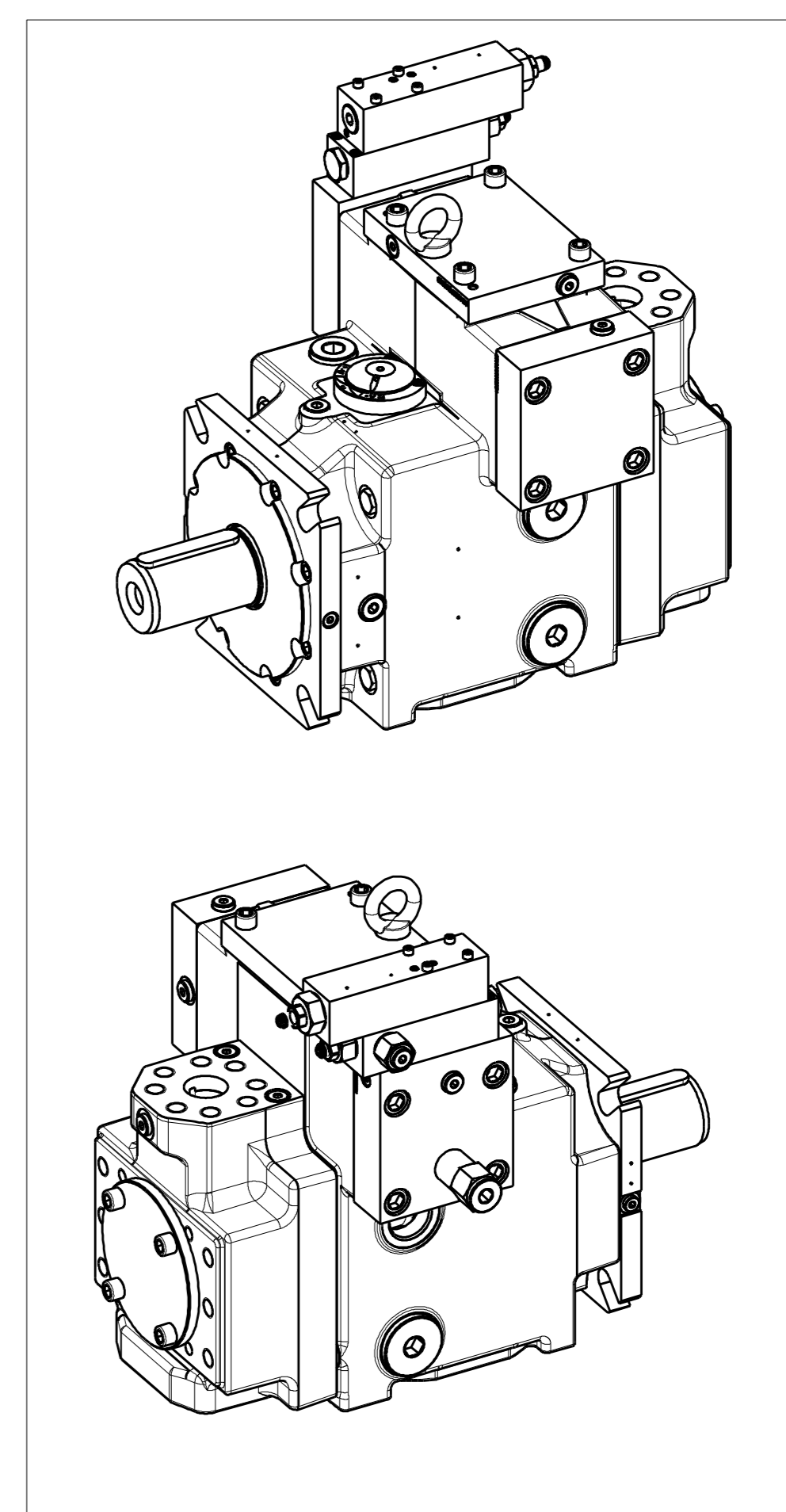
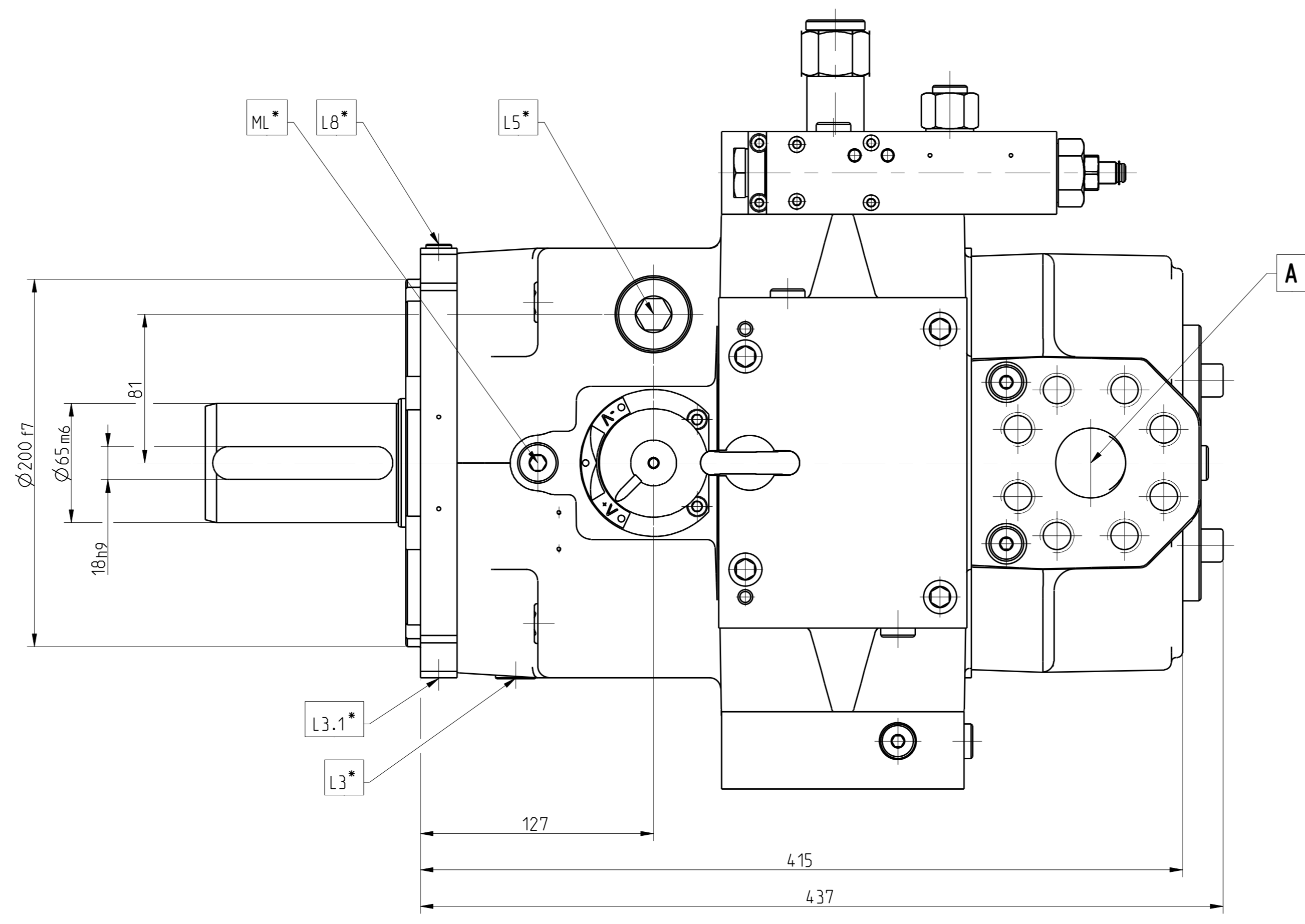
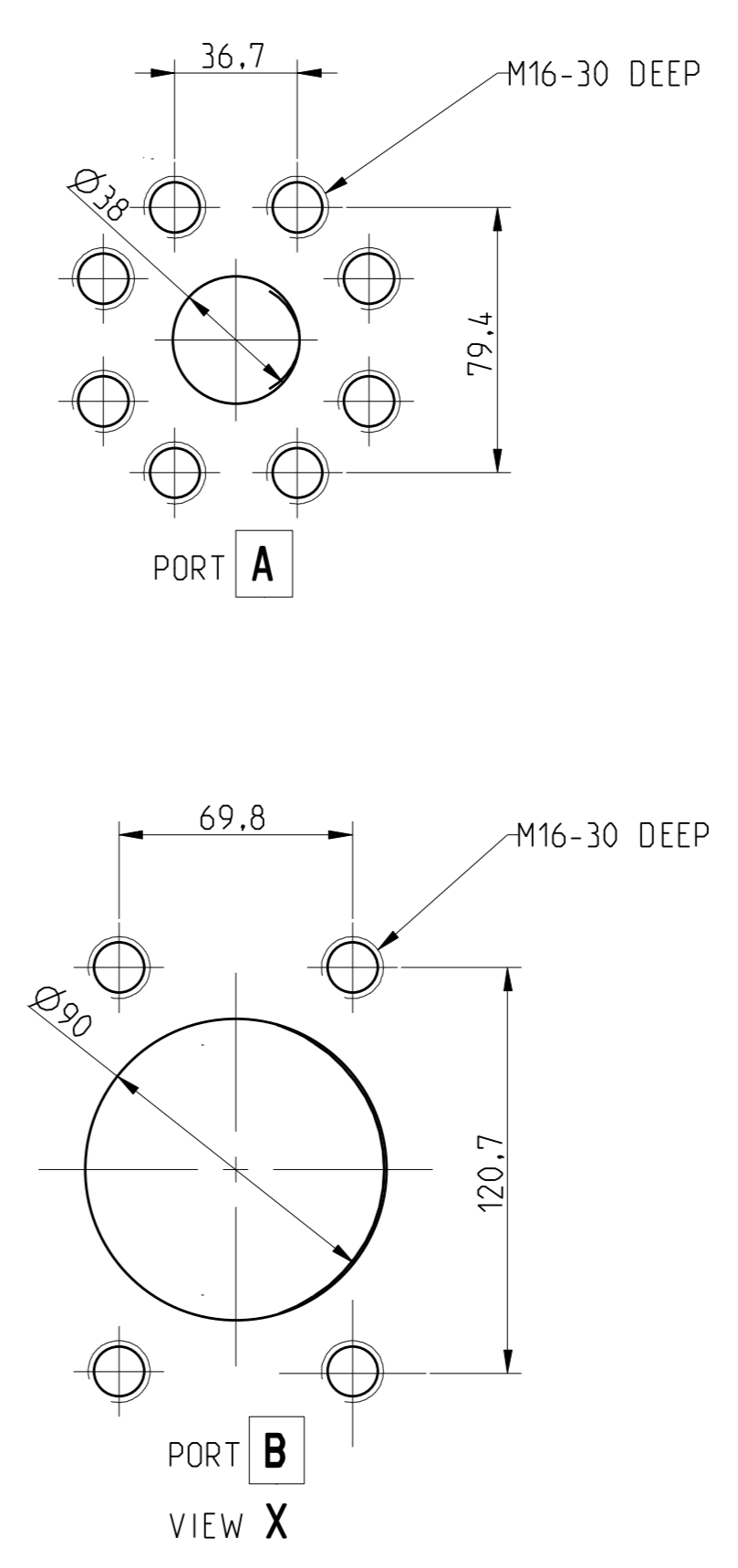
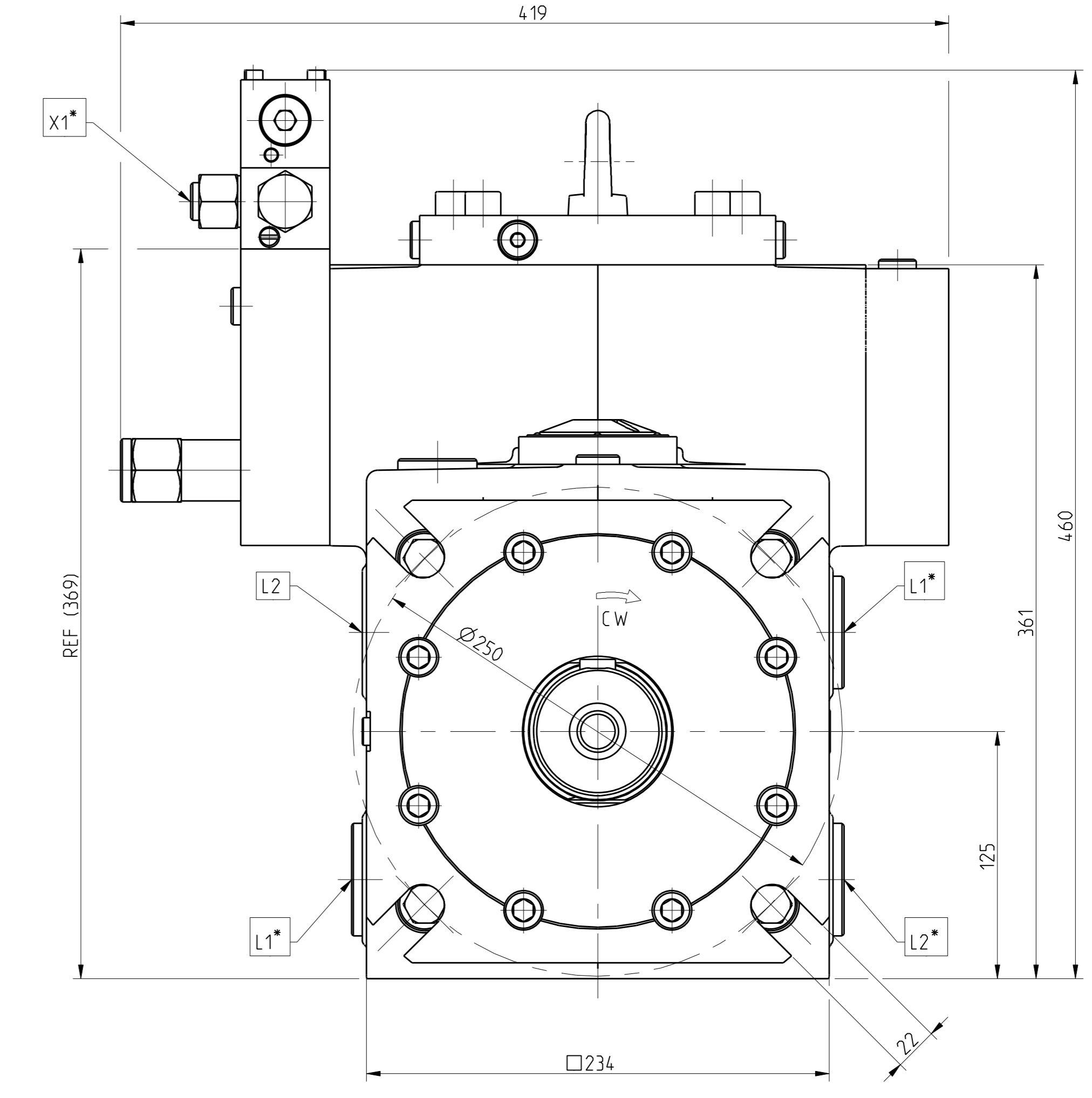
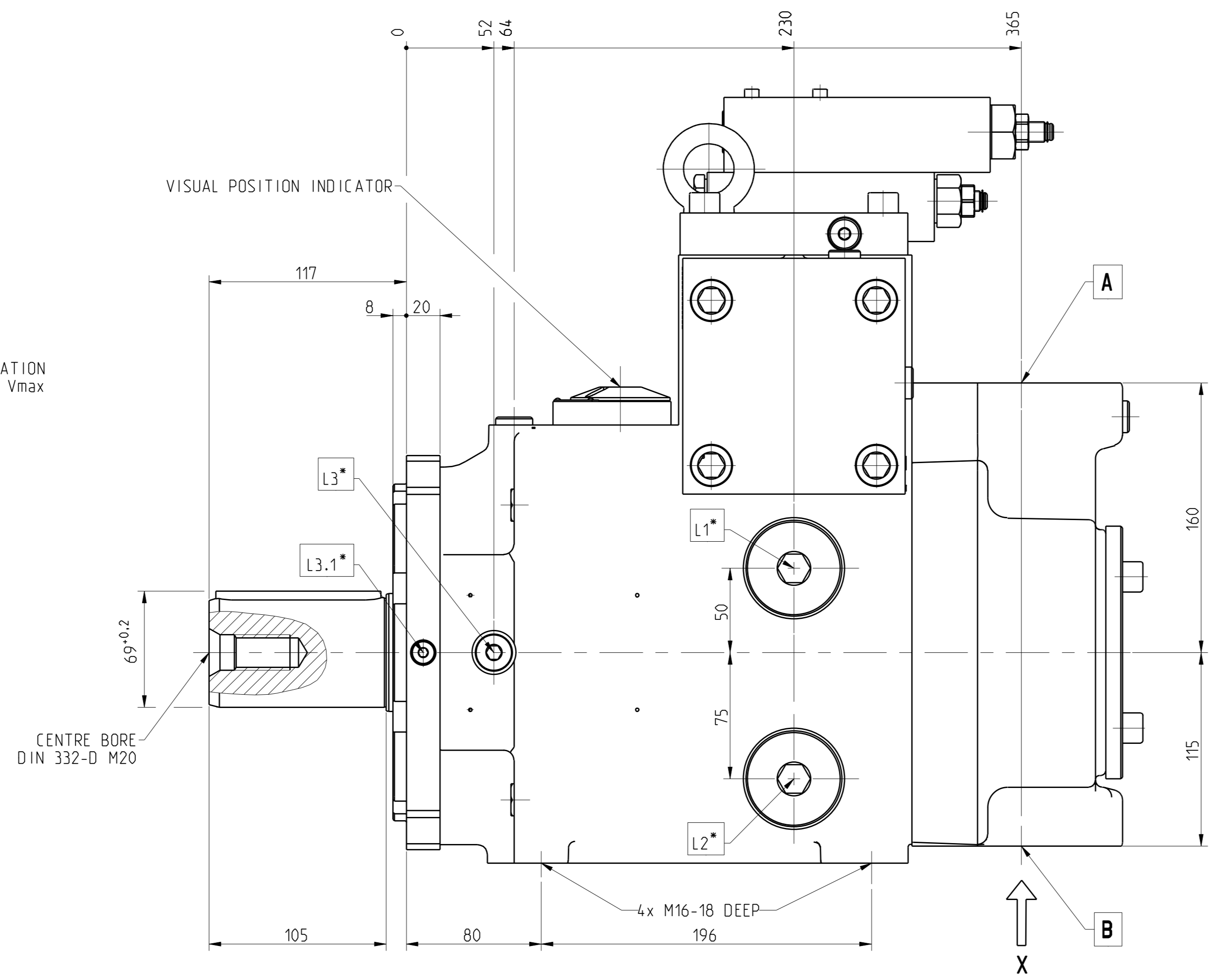
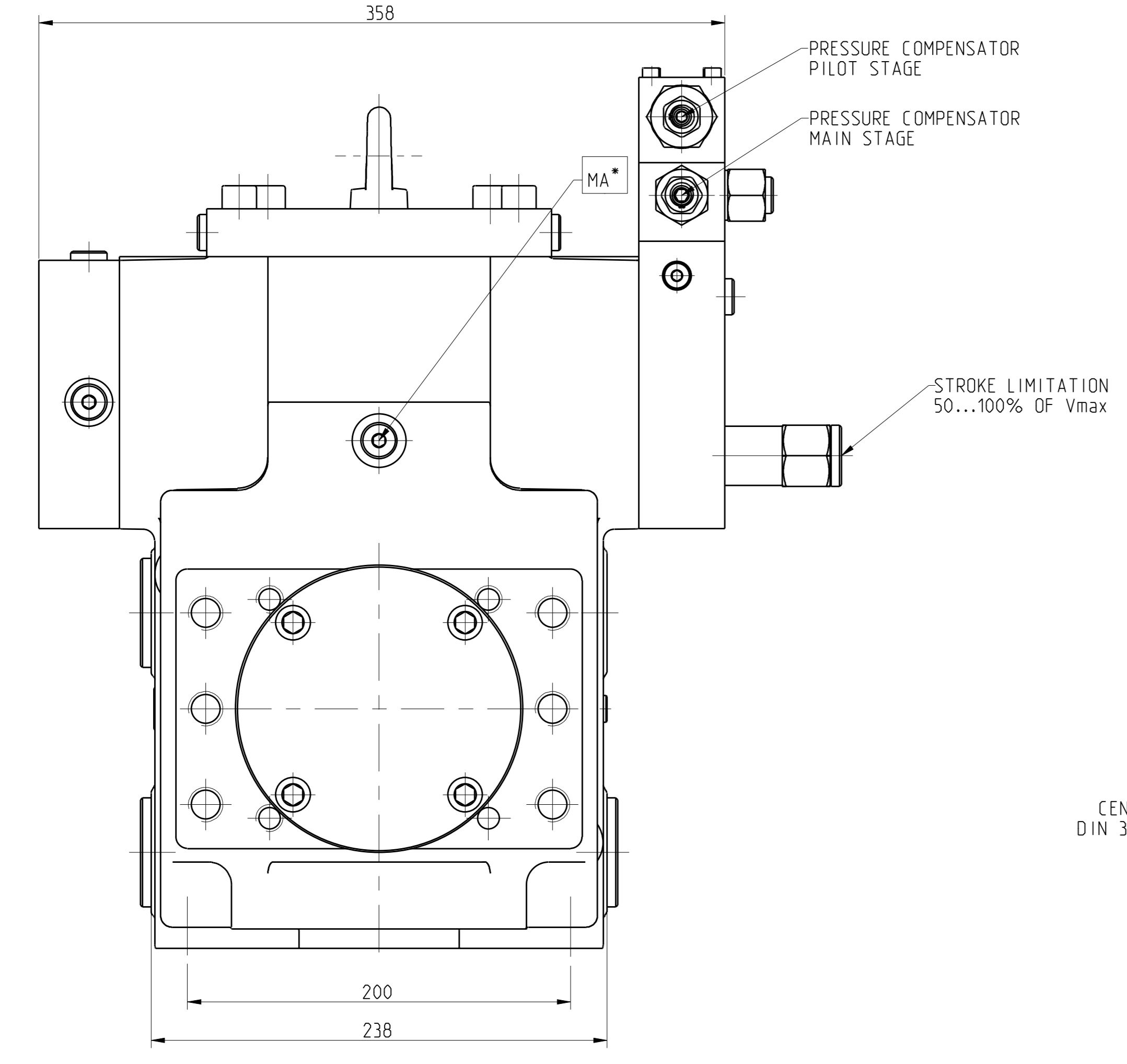


CAE DRAWING *** DO NOT CHANGE ORIGINAL				
REVISIONS				
ZONE	LTR	DESCRIPTION	DATE	APPROVED
A		ENGINEERING RELEASE	27May10	I.Hangad
K		DRAWING REVISED	15Apr14	P.Vollberg



- A** SYSTEM PRESSURE PORT SAE 1 1/2" - 6000 PSI
- B** INLET PORT SAE 3 1/2" - 500 PSI
- L1** DRAIN PORT 1 5/8"-12 UNF-2B (ACCORDING TO MOUNTING POSITION USE UPPER PORT)
- L2** DRAIN PORT G 1 1/4" (ACCORDING TO MOUNTING POSITION USE UPPER PORT)
- L3** VENTILATION PORT FOR VERTICAL MOUNTING G 3/8" (SHAFT UPWARD)
- L3.1** PORT G 1/8"
- L5** OIL FILLING PLUG 1 1/16" - 12 UNF-2B
- L8** AIR BLEEDING PORT G 1/4"
- MA** GAUGE PORT SYSTEM PRESSURE G 1/4"
- ML** GAUGE PORT OF CASE PRESSURE G 1/4"
- X1** REMOTE PORT PRESSURE COMPENSATOR, G 1/4"-12.5 DEEP
- ...** CONNECTION WITH PLUG

DIRECTION OF ROTATION	CONTROL	INPUT	OUTPUT
RIGHT HAND ROTATION	TO +V _{MAX}	B	A

FIRST ANGLE PROJECTION		REF.	MPS79228/HC B06172000900	REV.	HC
MATERIAL	DESIGNER	Bhandari	27May10	 INSTALLATION OF PVWS-250... WITH DF000A0...-CONTROL	
	PROJ.	I.Hangad	27May10		
NEXT TREATMENT		FUNDAMENTAL TOLERANCE PRINCIPLE PER ISO 8015		DATE	
DRAWING/NOTING		GENERAL TOLERANCES BY FEATURE GROUP AND FINISHING OPERATIONS AND SURFACE QUALITY PER ISO 1305		SCALE	
		GENERAL DIMENSIONS AND GEOMETRICAL TOLERANCES PER ISO 1305		SHEET	
		ALL TECHNICAL DATA DISCLOSED HEREIN IS THE PROPERTY OF DANFOSS AND IS NOT TO BE USED FOR ANY OTHER PURPOSE WITHOUT THE WRITTEN PERMISSION OF THE COMPANY.		SHEET 1 OF 1	
PVWS-250M07R0001R01SVVADF000A0000000000000000010 REF. MPS79228/HC B06172000900 DESIGNED BY Bhandari 27May10 DRAWN BY I.Hangad 27May10		PROJECT NO. HC 056172000900 SHEET NO. 1			

erstellt mit: Pro Engineer
 Modelname: HC 056172000900
 Datumzeit: HC 056172000900