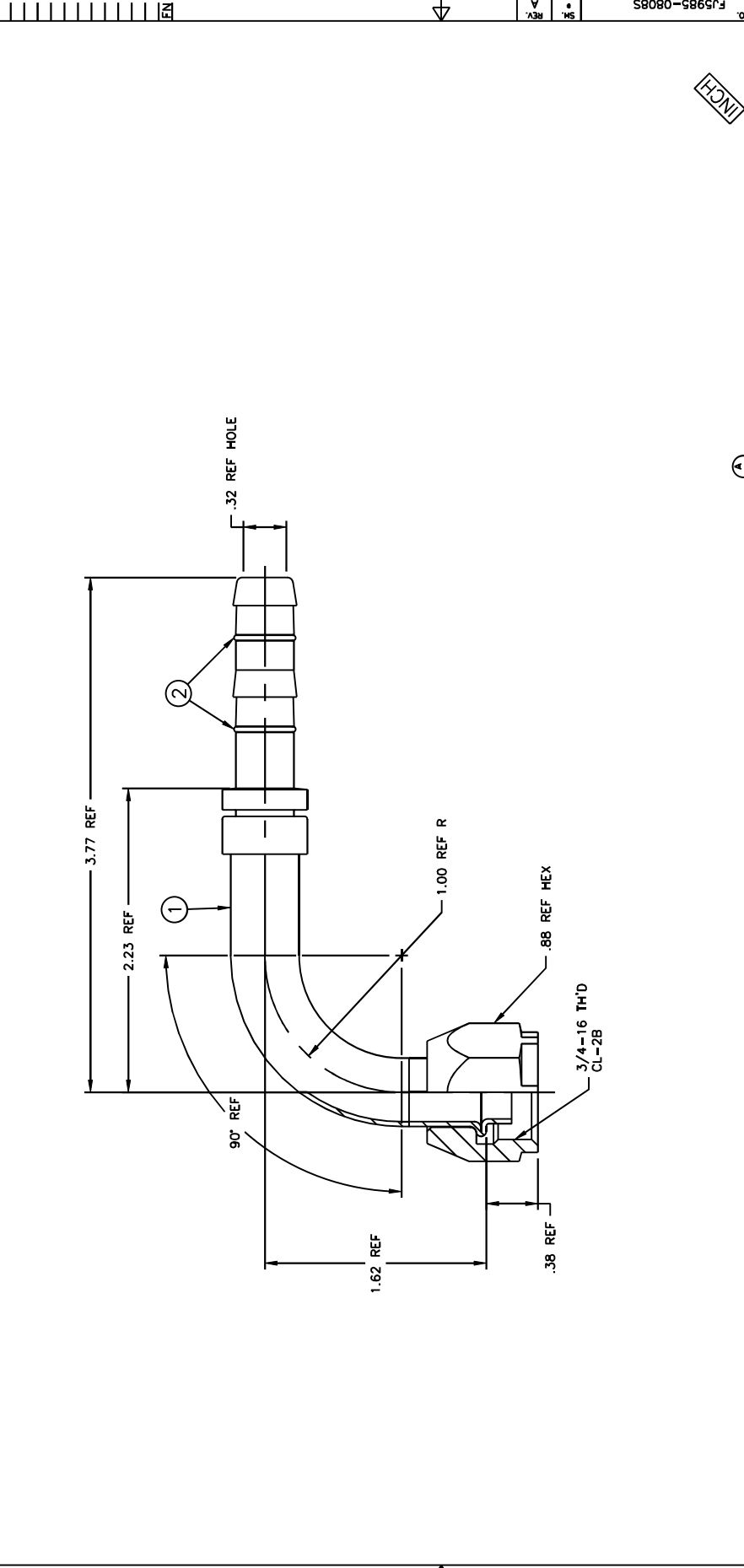


V

REV	DESCRIPTION	DATE	APPROVED
A	INITIAL RELEASE OF SEALS PRE-PRODUCTION DRAWING FJ5985-0808S REV "NONE" (1) ADDED "(2 REQUIRED)"	1999-08-12	EN-F19170 DP-1256

REV	DESCRIPTION	DATE	APPROVED
SM			
REV			



REV	DESCRIPTION	DATE	APPROVED
A	INITIAL RELEASE OF SEALS PRE-PRODUCTION DRAWING FJ5985-0808S REV "NONE" (1) ADDED "(2 REQUIRED)"	1999-08-12	EN-F19170 DP-1256

ITEM NO.	MATERIAL
1	STEEL
2	HNBR

REV	DESCRIPTION	DATE	APPROVED
A	INITIAL RELEASE OF SEALS PRE-PRODUCTION DRAWING FJ5985-0808S REV "NONE" (1) ADDED "(2 REQUIRED)"	1999-08-12	EN-F19170 DP-1256

REV	DESCRIPTION	DATE	APPROVED
A	INITIAL RELEASE OF SEALS PRE-PRODUCTION DRAWING FJ5985-0808S REV "NONE" (1) ADDED "(2 REQUIRED)"	1999-08-12	EN-F19170 DP-1256

REV	DESCRIPTION	DATE	APPROVED
A	INITIAL RELEASE OF SEALS PRE-PRODUCTION DRAWING FJ5985-0808S REV "NONE" (1) ADDED "(2 REQUIRED)"	1999-08-12	EN-F19170 DP-1256

REV	DESCRIPTION	DATE	APPROVED
A	INITIAL RELEASE OF SEALS PRE-PRODUCTION DRAWING FJ5985-0808S REV "NONE" (1) ADDED "(2 REQUIRED)"	1999-08-12	EN-F19170 DP-1256

1. PROCESS AS FOLLOWS:
(a) LUBRICATE O-RINGS AND ASSEMBLE ON NIPPLE AS SHOWN.

FN