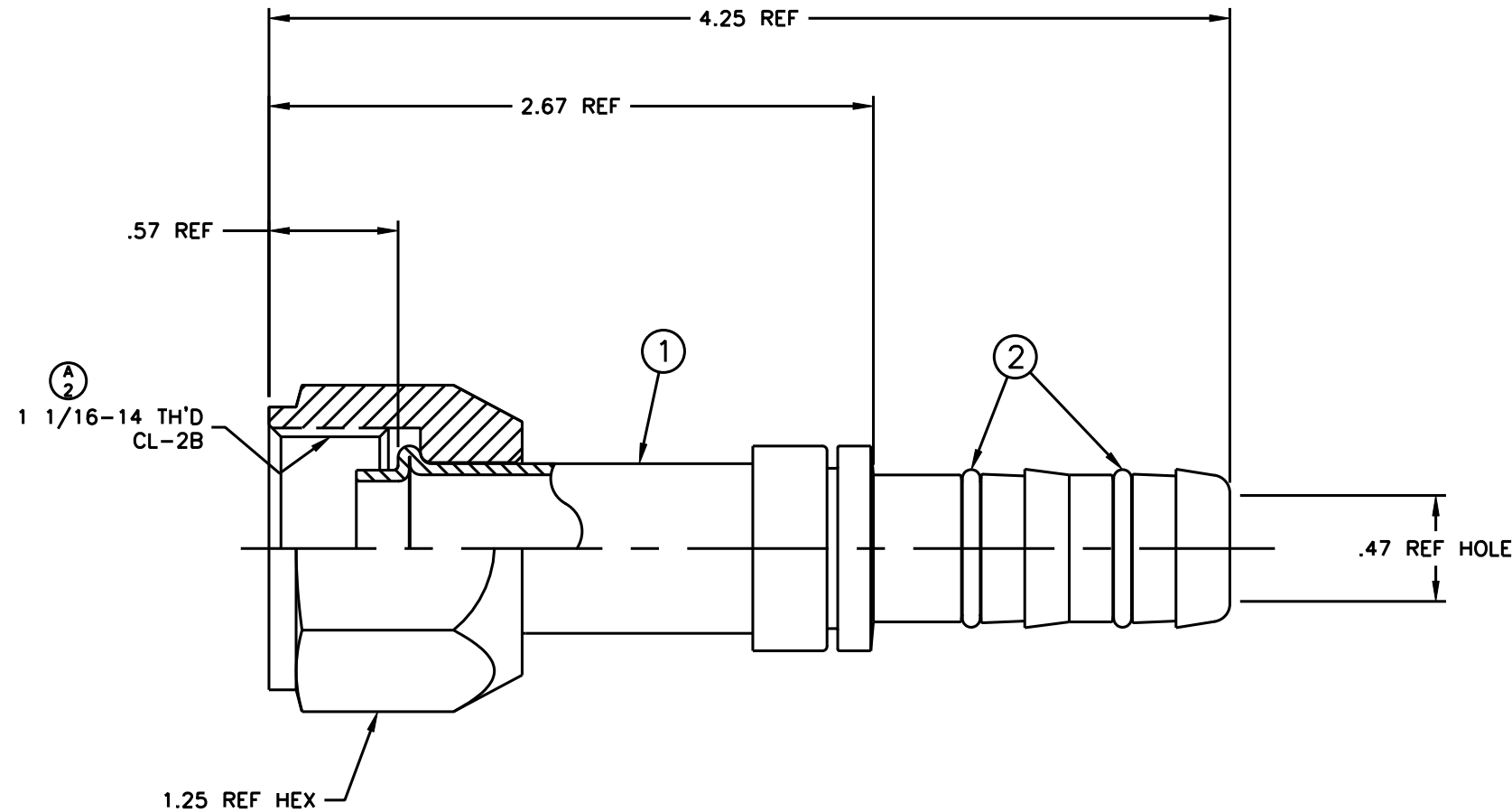


THE REPRODUCTION, DISTRIBUTION AND UTILIZATION OF THIS DOCUMENT, AS WELL AS THE COMMUNICATION OF ITS CONTENTS TO OTHERS WITHOUT EXPLICIT AUTHORIZATION IS PROHIBITED. OFFENDERS WILL BE HELD LIABLE FOR THE PAYMENT OF DAMAGES. ALL RIGHTS RESERVED IN THE EVENT OF THE GRANT OF A PATENT, UTILITY MODEL OR DESIGN. (PER ISO 15016)

REVISIONS			
REV	DESCRIPTION	DATE	APPROVED
A	INITIAL RELEASE SUPERSEDES PRE-PRODUCTION DRAWING FJ5984-1212S REV "NONE" (1) ADDED "(2 REQUIRED)" (2) 1 1/16-14 TH'D WAS 1 1/6-14 TH'D	1999-08-12	EN-F19170 DP-1256 JJB



FN

REV. A
SH. *

INCH

ITEM NO.	MATERIAL	QTY	DESCRIPTION
1	STEEL	1	NIPPLE ASSEMBLY
2	HNBR	2	O-RING (2 REQUIRED)

FJ5984-1212S	FJ4984-1212S	1F40106-12	
AEROQUIP PART NUMBER	NIPPLE ASSEMBLY	O-RING (2 REQUIRED)	

DRAWN T. HARTFORD		FLUID CONVEYANCE DIVISION	
CHECKED J. BAHNSEN		DRAWING TITLE FITTING ASSEMBLY FEMALE O-RING PILOT (SHORT), GH134 HOSE	
APPROVED J. GRAU		SIZE A2	DRAWING NUMBER FJ5984-1212S
RELEASE DATE 1999-08-25		SCALE 2/1	REV A
EN-F19170 DP-1256		DIST U	CAGE CODE 01276
THIRD ANGLE PROJECTION		SHEET NO *	
ITEM TYPE: DTZA			

1. PROCESS AS FOLLOWS:
(a) LUBRICATE O-RINGS AND ASSEMBLE ON NIPPLE AS SHOWN.