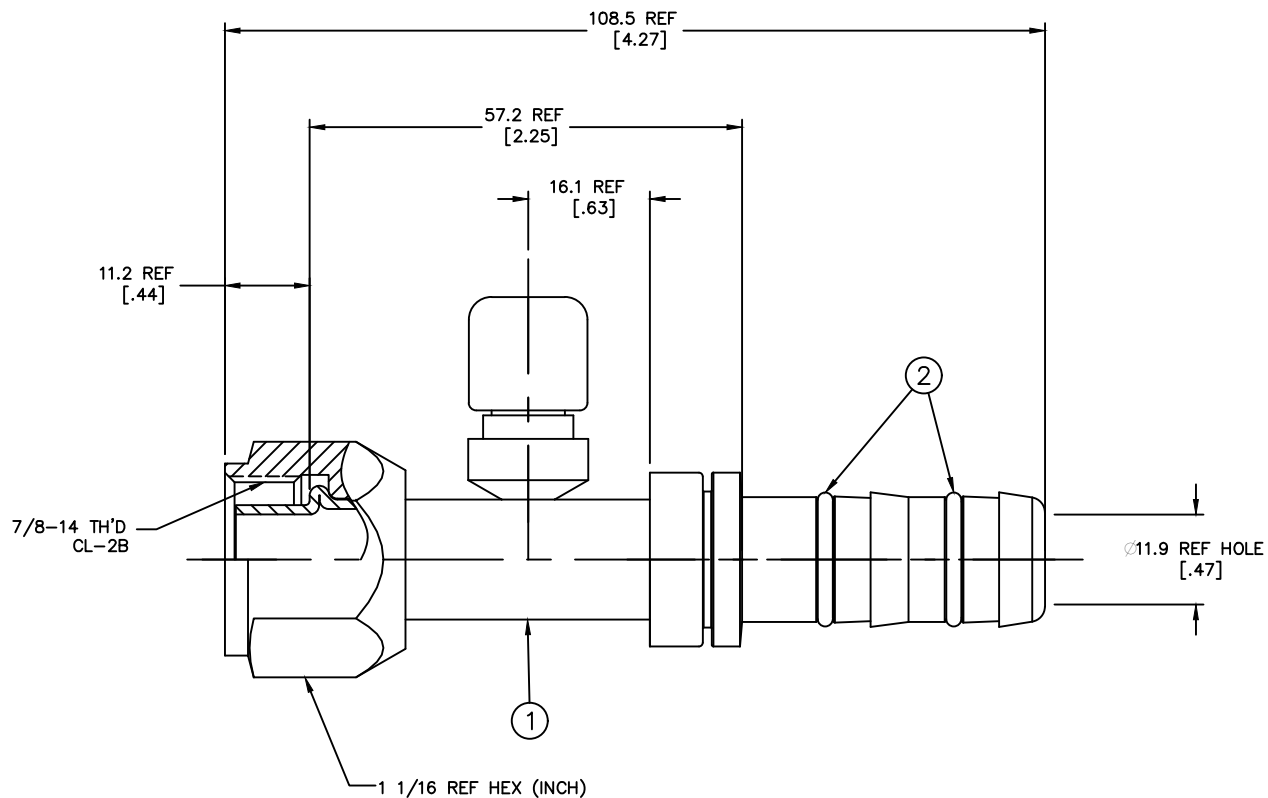


| REVISIONS | | | |
|-----------|-------------|------|----------|
| REV | DESCRIPTION | DATE | APPROVED |
| | | | |



- DIMENSIONS ARE IN MILLIMETER [INCHES].
- LUBRICATE O'RINGS AND ASSEMBLE TO NIPPLE AS SHOWN.

METRIC

| | | | | | |
|----------------------|-------------------|----------------------------|---|----------------------------------|-----------------|
| FJ3461-02-1012S | FJ2461-02-1012S | 1F40106-12 | | | |
| AEROQUIP PART NUMBER | ① NIPPLE ASSEMBLY | ② O'RING (2 REQUIRED) | | | |
| LIST OF MATERIALS | | | | | |
| ITEM NO. | MATERIAL | DRAWN S HART | FLUID CONVEYANCE DIVISION DRAWING TITLE FITTING ASSEMBLY FEMALE O'RING PILOT (LONG) WITH M12 SWITCH PORT, GH134 HOSE | | |
| 1 | STEEL | CHECKED S MYERS | | | |
| 2 | HNBR | APPROVED D KAUFMAN | | | |
| | | RELEASE DATE 2001-08-14 | | | |
| | | EN-F21645 | SIZE A2 | DRAWING NUMBER FJ3461-02-1012 | REV |
| | | RPS-10185 | SCALE 2/1 | DIST U | CAGE CODE 01276 |
| | | THIRD ANGLE PROJECTION | SHEET | * | |
| | | ITEM TYPE: | | | |

DWG. NO. FJ3461-02-1012