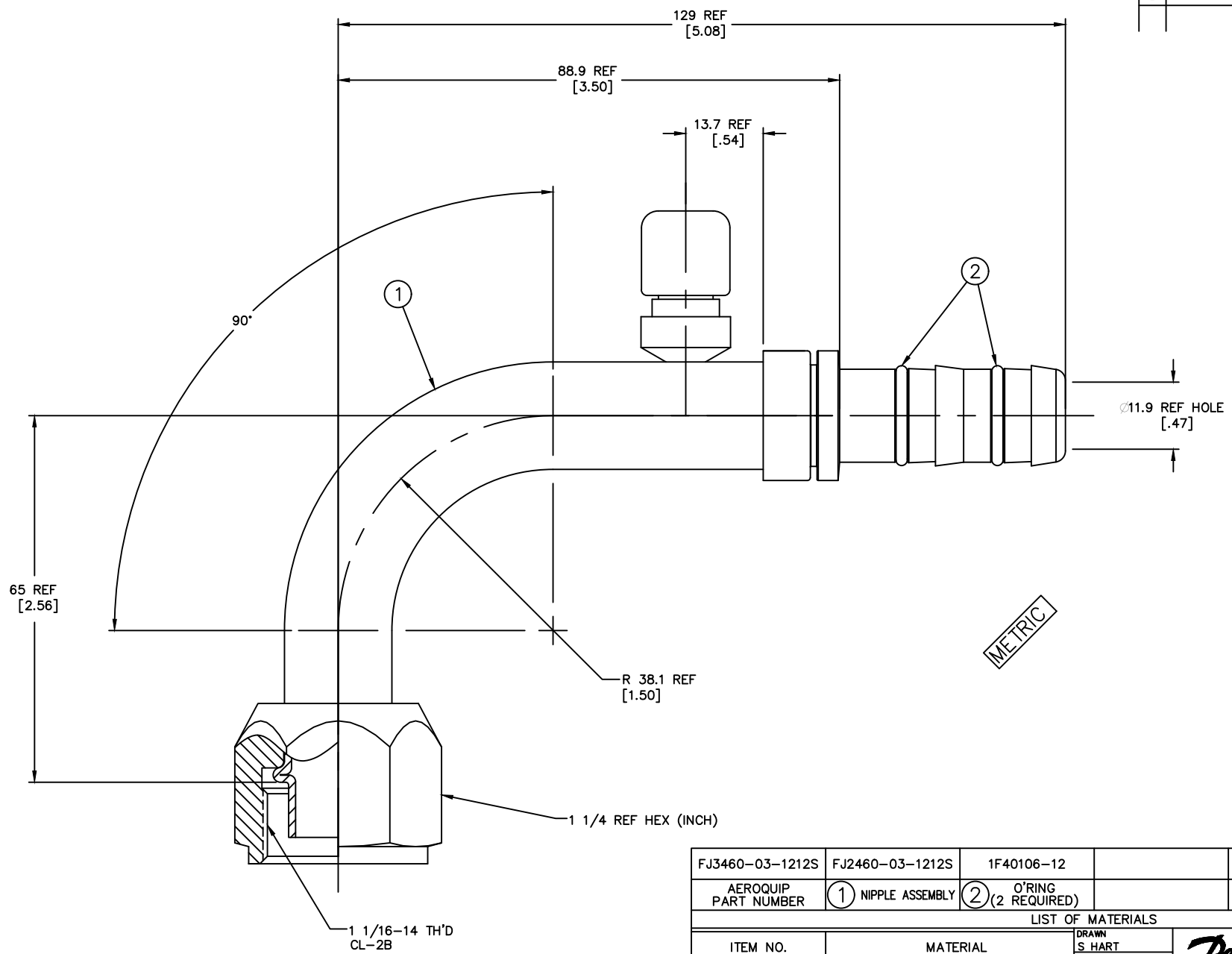


THE REPRODUCTION, DISTRIBUTION AND UTILIZATION OF THIS DOCUMENT AS WELL AS THE COMMUNICATION OF ITS CONTENTS TO OTHERS WITHOUT EXPLICIT AUTHORIZATION IS PROHIBITED. OFFENDERS WILL BE HELD LIABLE FOR THE PAYMENT OF DAMAGES. ALL RIGHT RESERVED IN THE EVENT OF THE GRANT OF A PATENT, UTILITY MODEL OR DESIGN. (PER ISO 10106)

REVISIONS			
REV	DESCRIPTION	DATE	APPROVED



- 2. DIMENSIONS ARE IN MILLIMETER [INCHES].
- 1. LUBRICATE O'RINGS AND ASSEMBLE TO NIPPLE AS SHOWN.

FJ3460-03-1212S	FJ2460-03-1212S	1F40106-12			
AEROQUIP PART NUMBER	① NIPPLE ASSEMBLY	② O'RING (2 REQUIRED)			
LIST OF MATERIALS					
ITEM NO.	MATERIAL	DRAWN S. HART	FLUID CONVEYANCE DIVISION DRAWING TITLE FITTING ASSEMBLY 90°, SAE FEMALE O'RING PILOT (LONG) WITH M12 SWITCH PORT, GH134 HOSE		
1	STEEL	CHECKED S. MYERS			
2	HNBR	APPROVED D. KAUFMAN			
		RELEASE DATE 2001-08-14			
		EN-F21646	SIZE A2	DRAWING NUMBER FJ3460-03-1212	REV
		RPS-10186	SCALE 2/1	DIST U	CAGE CODE 01276
		THIRD ANGLE PROJECTION	SHEET	*	
		ITEM TYPE:			

DWG. NO. FJ3460-03-1212