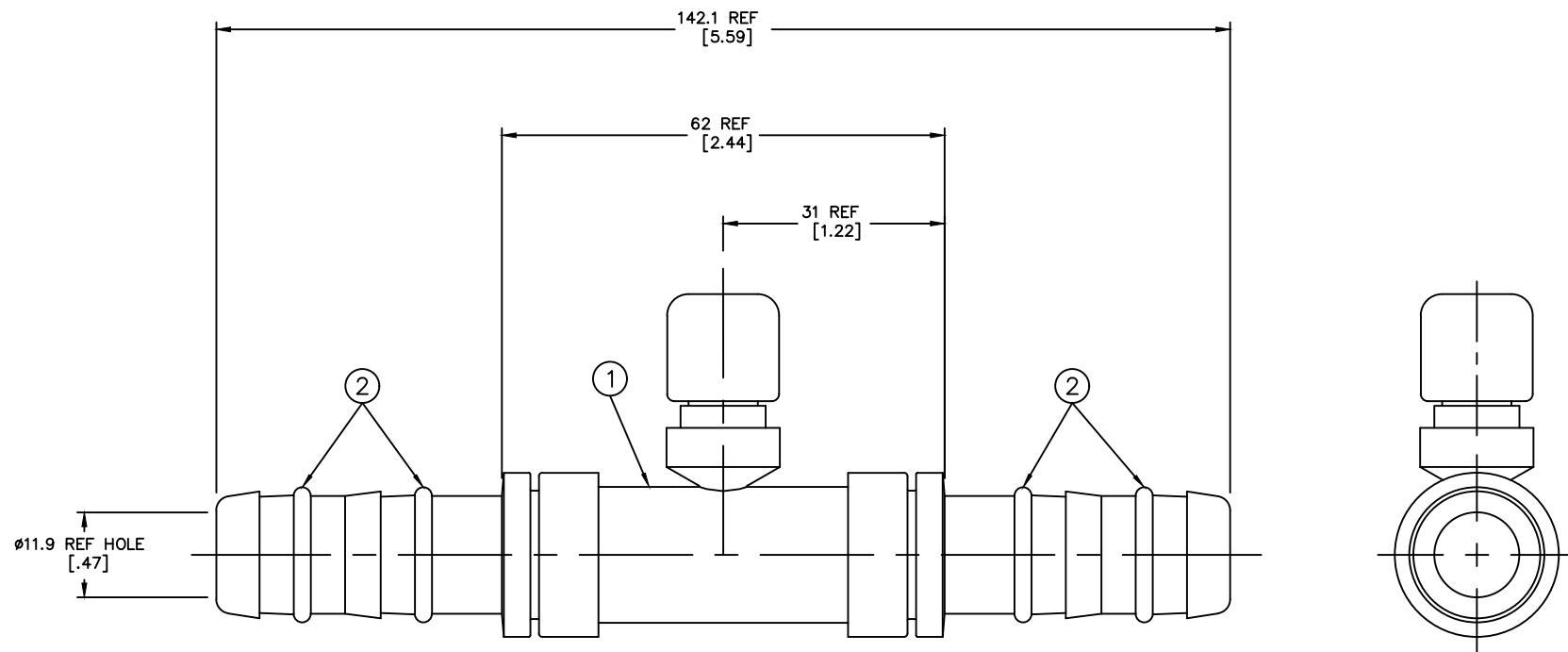


THE REPRODUCTION, DISTRIBUTION AND UTILIZATION OF THIS DOCUMENT AS WELL AS THE COMMUNICATION OF ITS CONTENTS TO OTHERS WITHOUT EXPLICIT AUTHORIZATION IS PROHIBITED. OFFENDERS WILL BE HELD LIABLE FOR THE PAYMENT OF DAMAGES. ALL RIGHT RESERVED IN THE EVENT OF THE GRANT OF A PATENT, UTILITY MODEL OR DESIGN. (PER ISO 10000)

REVISIONS			
REV	DESCRIPTION	DATE	APPROVED



METRIC

- 2. DIMENSIONS ARE IN MILLIMETERS [INCHES].
- 1. PROCESS AS FOLLOWS:
 - (a) LUBRICATE O'RINGS AND ASSEMBLE ON NIPPLES AS SHOWN.

FJ3428-1212S AEROQUIP PART NUMBER	FJ2428-1212S ① NIPPLE ASSEMBLY	1F40106-12 ② O'RING (4-REQ'D)			
LIST OF MATERIALS					
ITEM NO.	MATERIAL	DRAWN D. SNYDER	FLUID CONVEYANCE DIVISION DRAWING TITLE FITTING ASSEMBLY SPLICER WITH SWITCH PORT (LOW SIDE), GH134 HOSE SIZE A2 DRAWING NUMBER FJ3428-1212S SCALE 2/1 DIST U CAGE CODE 01276 SHEET		
1	STEEL	CHECKED D. BAILEY			
2	HNBR	APPROVED J. BAHNSEN			
		RELEASE DATE 2001-05-29			
		EN-F22029 DP-1256			
		THIRD ANGLE PROJECTION			
		ITEM TYPE:			

DWG. NO. FJ3428-1212S SH. REV.