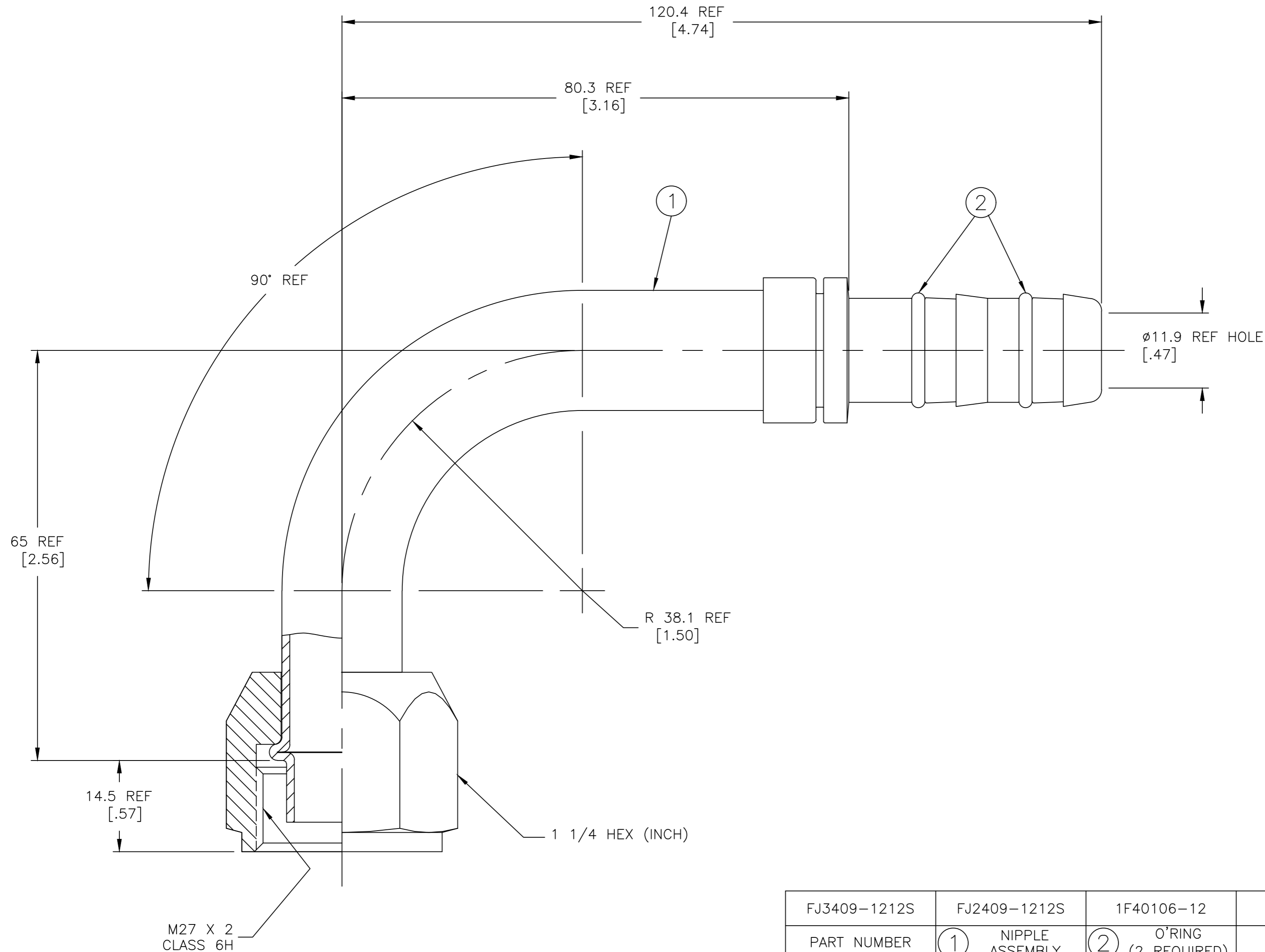


REVISIONS			
REV	DESCRIPTION	DATE	APPROVED



METRIC

2. DIMENSIONS ARE IN MILLIMETERS [INCHES].

1. PROCESS AS FOLLOWS:
(a) LUBRICATE O'RINGS AND ASSEMBLE ON NIPPLE AS SHOWN.

FJ3409-1212S	FJ2409-1212S	1F40106-12			
PART NUMBER	① NIPPLE ASSEMBLY	② O'RING (2 REQUIRED)			
LIST OF MATERIALS					
ITEM NO.	MATERIAL	DRAWN D SNYDER	FLUID CONVEYANCE DIVISION DRAWING TITLE FITTING ASSEMBLY 90°, FEMALE O'RING PILOT (LONG), GH134 HOSE		
1	STEEL	CHECKED D BAILEY			
2	HNBR	APPROVED D BAILEY			
		RELEASE DATE 2001-04-12			
		EN-F21415			
		DP-1256			
		THIRD ANGLE PROJECTION	SIZE A2	DRAWING NUMBER FJ3409-1212S	REV
		ITEM TYPE:	SCALE 2/1	DIST U	CAGE CODE 01276
					SHEET