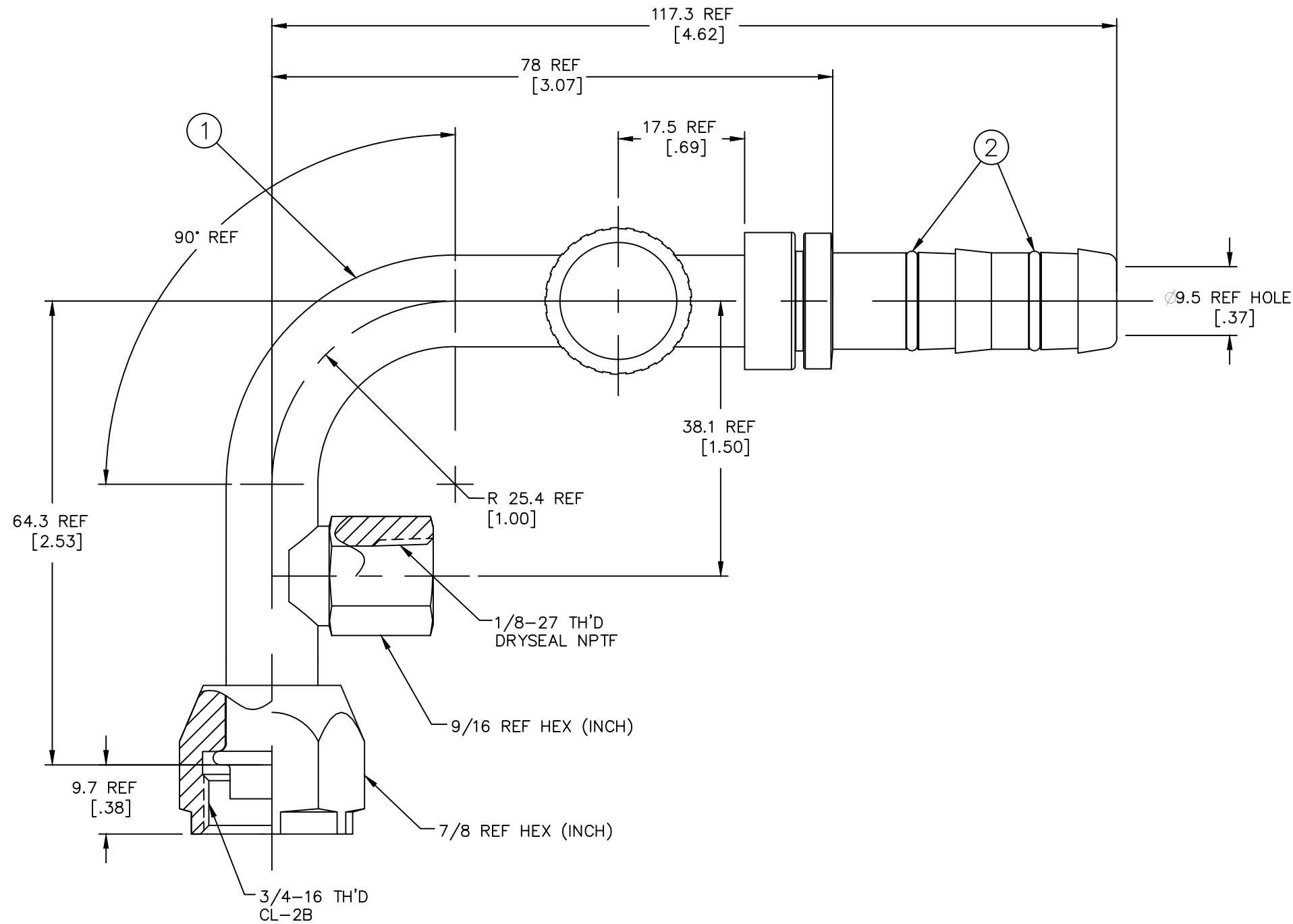


REVISIONS			
REV	DESCRIPTION	DATE	APPROVED



- 2. DIMENSIONS ARE IN MILLIMETER [INCHES].
- 1. LUBE O'RINGS AND ASSEMBLE TO NIPPLE AS SHOWN.

METRIC

FJ3366-01-0810S	FJ2366-01-0810S	1F40106-10			
PART NUMBER	① NIPPLE ASSEMBLY	② O'RING (2 REQUIRED)			
LIST OF MATERIALS					
ITEM NO.	MATERIAL	DRAWN S HART	FLUID CONVEYANCE DIVISION DRAWING TITLE FITTING ASSEMBLY 90°, SAE FEMALE O'RING PILOT (SHORT) WITH HIGH SIDE CHARGE PORT, GH134 HOSE		
1	STEEL	CHECKED S MYERS			
2	HNBR	APPROVED R RUTSCHILLING			
		RELEASE DATE 2001-12-05			
		EN-F22394			
		RPS-10974	SIZE A2	DRAWING NUMBER FJ3366-01-0810	REV
		THIRD ANGLE PROJECTION	SCALE 2/1	DIST U	CAGE CODE 01276
				SHEET	*