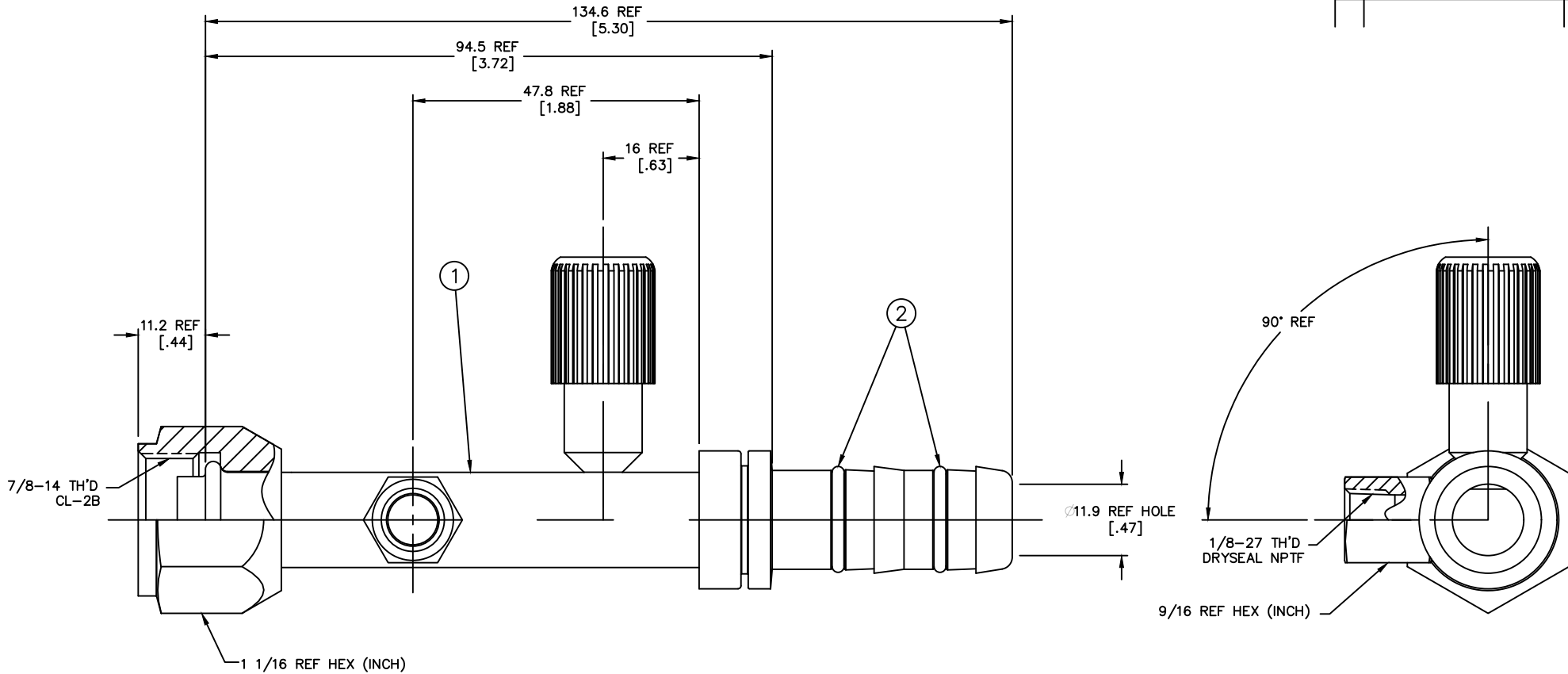


REVISIONS			
REV	DESCRIPTION	DATE	APPROVED



- DIMENSIONS ARE IN MILLIMETER [INCHES].
- LUBE O-RINGS AND ASSEMBLE TO NIPPLE AS SHOWN.

METRIC

FJ3363-01-1012S	FJ2363-01-1012S	1F40106-12			
AEROQUIP PART NUMBER	① NIPPLE ASSEMBLY	② O-RING (2 REQUIRED)			
LIST OF MATERIALS					
ITEM NO.	MATERIAL	DRAWN S. HART	FLUID CONVEYANCE DIVISION DRAWING TITLE <b>FITTING ASSEMBLY</b> FEMALE O-RING PILOT (SHORT) WITH LOW SIDE CHARGE PORT, GH134 HOSE		
1	STEEL	CHECKED S. MYERS			
2	HNBR	APPROVED D. KAUFMAN			
		RELEASE DATE 2001-11-29			
		EN-F22387	SIZE A2	DRAWING NUMBER FJ3363-01-1012	REV
		RPS-10977	SCALE 2/1	DIST U	CAGE CODE 01276
		THIRD ANGLE PROJECTION	SHEET		* *

DWG. NO. FJ3363-01-1012