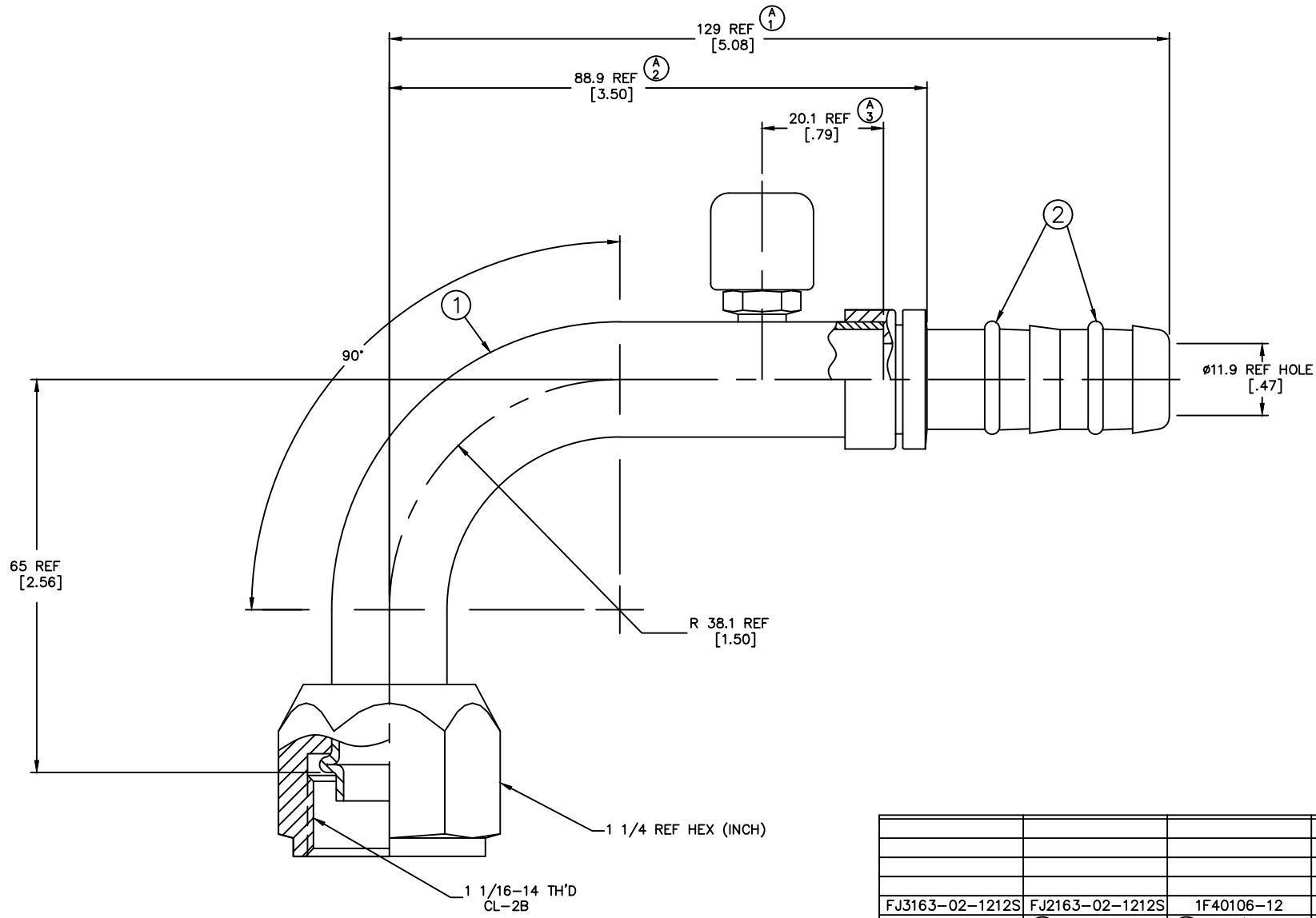


THE REPRODUCTION, DISTRIBUTION AND UTILIZATION OF THIS DOCUMENT AS WELL AS THE COMMUNICATION OF ITS CONTENTS TO OTHERS WITHOUT EXPLICIT AUTHORIZATION IS PROHIBITED. OFFENDERS WILL BE HELD LIABLE FOR THE PAYMENT OF DAMAGES. ALL RIGHT RESERVED IN THE EVENT OF THE GRANT OF A PATENT, UTILITY MODEL OR DESIGN. (PER ISO 10004)

REVISIONS			
REV	DESCRIPTION	DATE	APPROVED
A	(1) WAS 112.5 REF [4.43] (2) WAS 72.4 REF [2.85] (3) WAS 8.1 REF [.32]	2001-09-10 DK	EN-F21939 DP-1299



METRIC

LIST OF MATERIALS			
ITEM NO.	MATERIAL	QTY	DESCRIPTION
1	STEEL		
2	HNBR		

FJ3163-02-1212S	FJ2163-02-1212S	1F40106-12	
AEROQUIP PART NUMBER	① NIPPLE ASSEMBLY	② O'RING (2 REQ'D)	

DRAWN R. KELLY		FLUID CONVEYANCE DIVISION DRAWING TITLE FITTING ASSEMBLY 90°; SAE FEMALE O'RING PILOT (SHORT) WITH R12 CHARGE PORT, GH134 HOSE	
CHECKED R.D. WEBB			
APPROVED R.D. GARRETT		SIZE	DRAWING NUMBER
RELEASE DATE 2000-07-24		A2	FJ3163-02-1212S
EN-F20160		SCALE	2/1
DP-1256		DIST	U
THIRD ANGLE PROJECTION		CAGE CODE	01276
ITEM TYPE:		SHEET	A

- DIMENSIONS ARE IN MILLIMETERS [INCHES].
- PROCESS AS FOLLOWS:
(a) LUBRICATE O'RINGS AND ASSEMBLE TO NIPPLE AS SHOWN.

DWG. NO. FJ3163-02-1212S REV. A