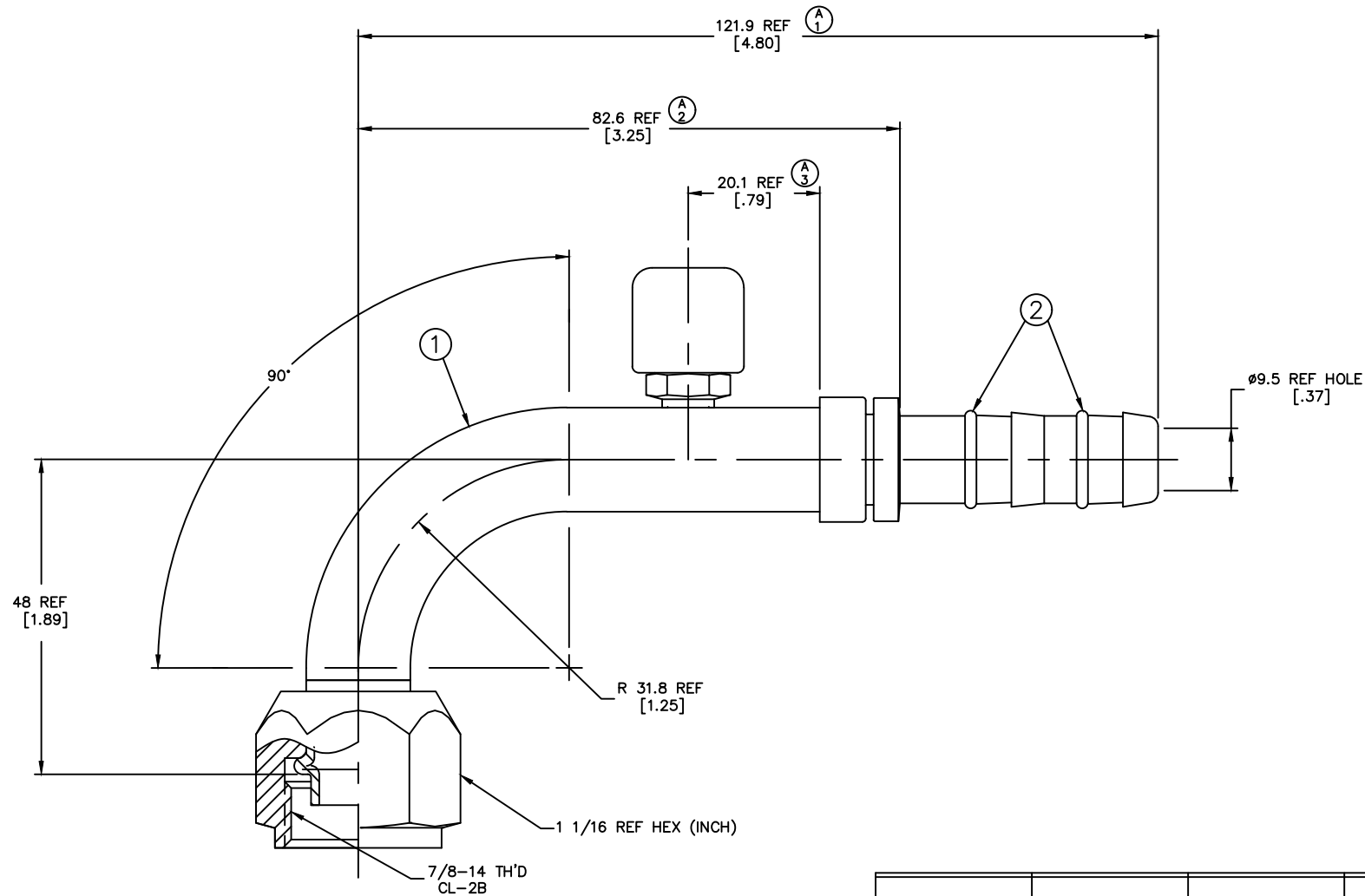


THE REPRODUCTION, DISTRIBUTION AND UTILIZATION OF THIS DOCUMENT AS WELL AS THE COMMUNICATION OF ITS CONTENTS TO OTHERS WITHOUT EXPLICIT AUTHORIZATION IS PROHIBITED. OFFENDERS WILL BE HELD LIABLE FOR THE PAYMENT OF DAMAGES. ALL RIGHT RESERVED IN THE EVENT OF THE GRANT OF A PATENT, UTILITY MODEL OR DESIGN. (PER ISO 10000)

REVISIONS			
REV	DESCRIPTION	DATE	APPROVED
A	(1) WAS 93.5 REF [3.68] (2) WAS 53.3 REF [2.10] (3) WAS 8.1 REF [.32]	2001-09-10 DK	EN-F21939 DP-1299



METRIC

FJ3163-01-1010S	FJ2163-01-1010S	1F40106-10			
AEROQUIP PART NUMBER	(1) NIPPLE ASSEMBLY	(2) O'RING (2 REQ'D)			
LIST OF MATERIALS					
ITEM NO.	MATERIAL	DRAWN	R. KELLY		
1	STEEL	CHECKED	R.D. WEBB		
2	HNBR	APPROVED	R.D. GARRETT		
		RELEASE DATE	2000-07-24		
		EN-F20160	DP-1256		
		THIRD ANGLE PROJECTION			
		ITEM TYPE:	SCALE	DIST	CAGE CODE
			2/1	U	01276

- DIMENSIONS ARE IN MILLIMETERS [INCHES].
- PROCESS AS FOLLOWS:
(a) LUBRICATE O'RINGS AND ASSEMBLE TO NIPPLE AS SHOWN.

FLUID CONVEYANCE DIVISION

DRAWING TITLE
FITTING ASSEMBLY
90°, FEMALE O'RING PILOT (SHORT), WITH
R12 CHARGE PORT, GH134 HOSE

SIZE	DRAWING NUMBER	REV
A2	FJ3163-01-1010S	A

REV. A
SH.
DWG. NO. FJ3163-01-1010S