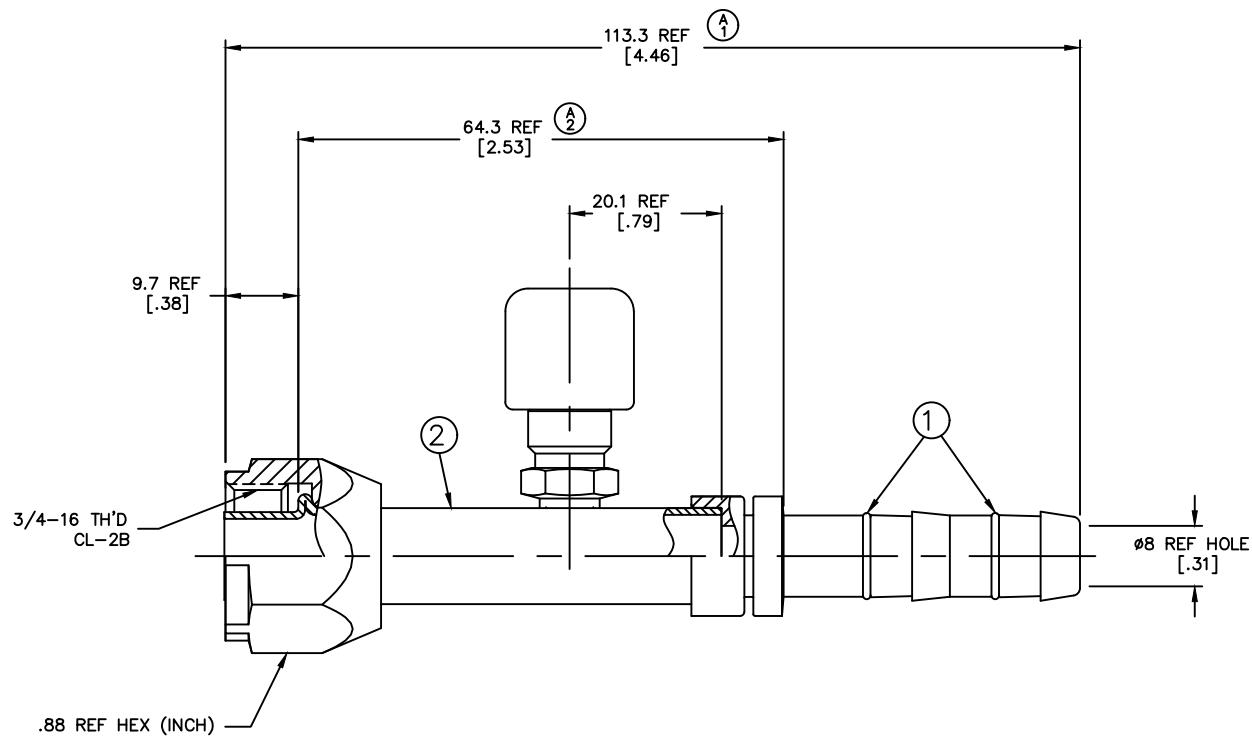


REVISIONS			
REV	DESCRIPTION	DATE	APPROVED
A	(1) WAS 103.8 REF [4.09] (2) WAS 54.9±1.5 [2.16±.06] (3) WAS FJ40104-08	2000-11-09 BAT	EN-F20845 DP-1256



METRIC

- DIMENSIONS ARE IN MILLIMETERS [INCHES].
- LUBRICATE O'RINGS AND ASSEMBLE TO NIPPLE AS SHOWN.

ITEM NO.	MATERIAL	QTY	DESCRIPTION
1	HNBR	2	O-RING
2	STEEL	1	NIPPLE ASSEMBLY

LIST OF MATERIALS			
FJ3162-0808S	1F40106-08	FJ2162-0808S	
AEROQUIP PART NUMBER	① O-RING (2 REQ'D)	② NIPPLE ASSEMBLY	

DRAWN S. BOHN	FLUID CONVEYANCE DIVISION DRAWING TITLE FITTING ASSEMBLY FEMALE O-RING PILOT (LONG) WITH 7/16-20 SWITCH PORT, GH134 HOSE		
CHECKED R. D. WEBB			
APPROVED D. SHOWALTER			
RELEASE DATE 2000-09-26			
EN-F20549 DP-1256	SIZE A2	DRAWING NUMBER FJ3162-0808S	REV A
THIRD ANGLE PROJECTION	SCALE 2:1	DIST U	CAGE CODE 01276
ITEM TYPED TSA	SHEET		