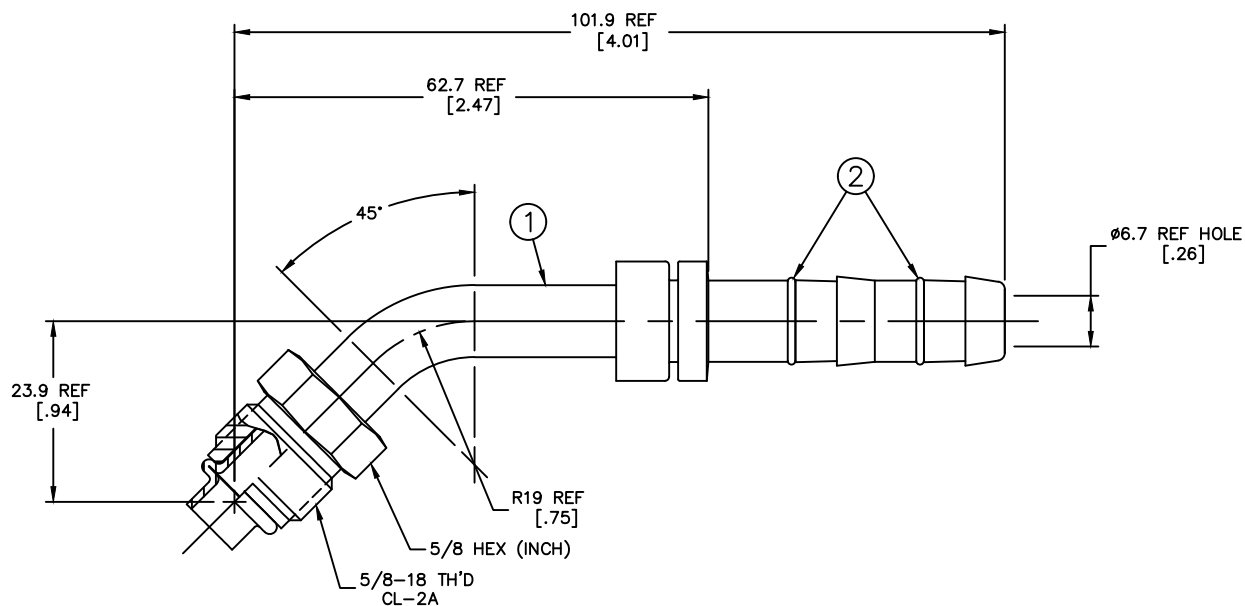


REVISIONS			
REV	DESCRIPTION	DATE	APPROVED



METRIC

- 2. DIMENSIONS ARE IN MILLIMETERS [INCHES].
- 1. LUBRICATE O'RINGS AND ASSEMBLE TO NIPPLE AS SHOWN.

FJ3116-04-0608S	FJ2116-04-0608S	1F40106-08		
AEROQUIP PART NUMBER	① NIPPLE ASSEMBLY	② O'RING (2 REQ'D)		
LIST OF MATERIALS				
ITEM NO.	MATERIAL	DRAWN D.BAILEY	FLUID CONVEYANCE DIVISION DRAWING TITLE FITTING ASSEMBLY 45° MALE O'RING PILOT (SHORT), GH134 HOSE	
1	STEEL	CHECKED B.THOMAS		
2	HNBR	APPROVED W.R.HYDE		
		RELEASE DATE 2001-08-27		
		EN-F22147	SIZE A2	DRAWING NUMBER FJ3116-04-0608S
		DP-1256	SCALE 2/1	DIST U
		THIRD ANGLE PROJECTION	CAGE CODE 01276	SHEET
		ITEM TYPE:		

DWG. NO. FJ3116-04-0608S