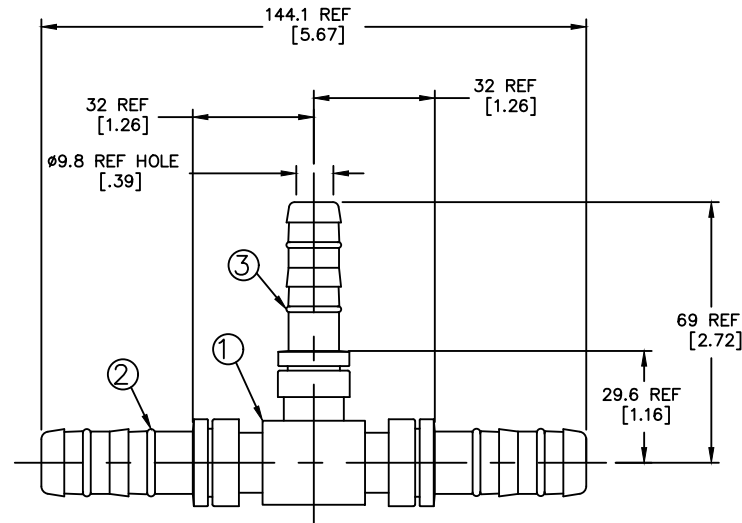


REVISIONS			
REV	DESCRIPTION	DATE	APPROVED



METRIC

- 2. DIMENSIONS ARE IN MILLIMETERS [INCHES].
- 1. LUBRICATE O-RINGS AND ASSEMBLE TO NIPPLE AS SHOWN.

FJ3066-101212S	FJ2066-101212S	1F40106-12	1F40106-10	
AEROQUIP PART NUMBER	① NIPPLE ASSEMBLY	② O-RING (4 REQ'D)	③ O-RING (2 REQ'D)	
LIST OF MATERIALS				
ITEM NO.	MATERIAL	DRAWN M. GOBLE		
1	STEEL	CHECKED W.R. HYDE		
2	HNBR	APPROVED W.R. HYDE		
3	HNBR	RELEASE DATE 2001-10-12		
		EN-F22229		
		DP-1256		
		THIRD ANGLE PROJECTION		
		ITEM TYPE:		
		DRAWN M. GOBLE		
		CHECKED W.R. HYDE		
		APPROVED W.R. HYDE		
		RELEASE DATE 2001-10-12		
		EN-F22229		
		DP-1256		
		THIRD ANGLE PROJECTION		
		ITEM TYPE:		
		DRAWN M. GOBLE		
		CHECKED W.R. HYDE		
		APPROVED W.R. HYDE		
		RELEASE DATE 2001-10-12		
		EN-F22229		
		DP-1256		
		THIRD ANGLE PROJECTION		
		ITEM TYPE:		
		DRAWN M. GOBLE		
		CHECKED W.R. HYDE		
		APPROVED W.R. HYDE		
		RELEASE DATE 2001-10-12		
		EN-F22229		
		DP-1256		
		THIRD ANGLE PROJECTION		
		ITEM TYPE:		
		DRAWN M. GOBLE		
		CHECKED W.R. HYDE		
		APPROVED W.R. HYDE		
		RELEASE DATE 2001-10-12		
		EN-F22229		
		DP-1256		
		THIRD ANGLE PROJECTION		
		ITEM TYPE:		
		DRAWN M. GOBLE		
		CHECKED W.R. HYDE		
		APPROVED W.R. HYDE		
		RELEASE DATE 2001-10-12		
		EN-F22229		
		DP-1256		
		THIRD ANGLE PROJECTION		
		ITEM TYPE:		
		DRAWN M. GOBLE		
		CHECKED W.R. HYDE		
		APPROVED W.R. HYDE		
		RELEASE DATE 2001-10-12		
		EN-F22229		
		DP-1256		
		THIRD ANGLE PROJECTION		
		ITEM TYPE:		
		DRAWN M. GOBLE		
		CHECKED W.R. HYDE		
		APPROVED W.R. HYDE		
		RELEASE DATE 2001-10-12		
		EN-F22229		
		DP-1256		
		THIRD ANGLE PROJECTION		
		ITEM TYPE:		
		DRAWN M. GOBLE		
		CHECKED W.R. HYDE		
		APPROVED W.R. HYDE		
		RELEASE DATE 2001-10-12		
		EN-F22229		
		DP-1256		
		THIRD ANGLE PROJECTION		
		ITEM TYPE:		
		DRAWN M. GOBLE		
		CHECKED W.R. HYDE		
		APPROVED W.R. HYDE		
		RELEASE DATE 2001-10-12		
		EN-F22229		
		DP-1256		
		THIRD ANGLE PROJECTION		
		ITEM TYPE:		
		DRAWN M. GOBLE		
		CHECKED W.R. HYDE		
		APPROVED W.R. HYDE		
		RELEASE DATE 2001-10-12		
		EN-F22229		
		DP-1256		
		THIRD ANGLE PROJECTION		
		ITEM TYPE:		
		DRAWN M. GOBLE		
		CHECKED W.R. HYDE		
		APPROVED W.R. HYDE		
		RELEASE DATE 2001-10-12		
		EN-F22229		
		DP-1256		
		THIRD ANGLE PROJECTION		
		ITEM TYPE:		
		DRAWN M. GOBLE		
		CHECKED W.R. HYDE		
		APPROVED W.R. HYDE		
		RELEASE DATE 2001-10-12		
		EN-F22229		
		DP-1256		
		THIRD ANGLE PROJECTION		
		ITEM TYPE:		
		DRAWN M. GOBLE		
		CHECKED W.R. HYDE		
		APPROVED W.R. HYDE		
		RELEASE DATE 2001-10-12		
		EN-F22229		
		DP-1256		
		THIRD ANGLE PROJECTION		
		ITEM TYPE:		
		DRAWN M. GOBLE		
		CHECKED W.R. HYDE		
		APPROVED W.R. HYDE		
		RELEASE DATE 2001-10-12		
		EN-F22229		
		DP-1256		
		THIRD ANGLE PROJECTION		
		ITEM TYPE:		
		DRAWN M. GOBLE		
		CHECKED W.R. HYDE		
		APPROVED W.R. HYDE		
		RELEASE DATE 2001-10-12		
		EN-F22229		
		DP-1256		
		THIRD ANGLE PROJECTION		
		ITEM TYPE:		
		DRAWN M. GOBLE		
		CHECKED W.R. HYDE		
		APPROVED W.R. HYDE		
		RELEASE DATE 2001-10-12		
		EN-F22229		
		DP-1256		
		THIRD ANGLE PROJECTION		
		ITEM TYPE:		
		DRAWN M. GOBLE		
		CHECKED W.R. HYDE		
		APPROVED W.R. HYDE		
		RELEASE DATE 2001-10-12		
		EN-F22229		
		DP-1256		
		THIRD ANGLE PROJECTION		
		ITEM TYPE:		
		DRAWN M. GOBLE		
		CHECKED W.R. HYDE		
		APPROVED W.R. HYDE		
		RELEASE DATE 2001-10-12		
		EN-F22229		
		DP-1256		
		THIRD ANGLE PROJECTION		
		ITEM TYPE:		
		DRAWN M. GOBLE		
		CHECKED W.R. HYDE		
		APPROVED W.R. HYDE		
		RELEASE DATE 2001-10-12		
		EN-F22229		
		DP-1256		
		THIRD ANGLE PROJECTION		
		ITEM TYPE:		
		DRAWN M. GOBLE		
		CHECKED W.R. HYDE		
		APPROVED W.R. HYDE		
		RELEASE DATE 2001-10-12		
		EN-F22229		
		DP-1256		
		THIRD ANGLE PROJECTION		
		ITEM TYPE:		
		DRAWN M. GOBLE		
		CHECKED W.R. HYDE		
		APPROVED W.R. HYDE		
		RELEASE DATE 2001-10-12		
		EN-F22229		
		DP-1256		
		THIRD ANGLE PROJECTION		
		ITEM TYPE:		
		DRAWN M. GOBLE		
		CHECKED W.R. HYDE		
		APPROVED W.R. HYDE		
		RELEASE DATE 2001-10-12		
		EN-F22229		
		DP-1256		
		THIRD ANGLE PROJECTION		
		ITEM TYPE:		
		DRAWN M. GOBLE		
		CHECKED W.R. HYDE		
		APPROVED W.R. HYDE		
		RELEASE DATE 2001-10-12		
		EN-F22229		
		DP-1256		
		THIRD ANGLE PROJECTION		
		ITEM TYPE:		
		DRAWN M. GOBLE		
		CHECKED W.R. HYDE		
		APPROVED W.R. HYDE		
		RELEASE DATE 2001-10-12		
		EN-F22229		
		DP-1256		
		THIRD ANGLE PROJECTION		
		ITEM TYPE:		
		DRAWN M. GOBLE		
		CHECKED W.R. HYDE		
		APPROVED W.R. HYDE		
		RELEASE DATE 2001-10-12		
		EN-F22229		
		DP-1256		
		THIRD ANGLE PROJECTION		
		ITEM TYPE:		
		DRAWN M. GOBLE		
		CHECKED W.R. HYDE		
		APPROVED W.R. HYDE		
		RELEASE DATE 2001-10-12		
		EN-F22229		
		DP-1256		
		THIRD ANGLE PROJECTION		
		ITEM TYPE:		
		DRAWN M. GOBLE		
		CHECKED W.R. HYDE		
		APPROVED W.R. HYDE		
		RELEASE DATE 2001-10-12		
		EN-F22229		
		DP-1256		
		THIRD ANGLE PROJECTION		
		ITEM TYPE:		
		DRAWN M. GOBLE		
		CHECKED W.R. HYDE		
		APPROVED W.R. HYDE		
		RELEASE DATE 2001-10-12		
		EN-F22229		
		DP-1256		
		THIRD ANGLE PROJECTION		
		ITEM TYPE:		
		DRAWN M. GOBLE		
		CHECKED W.R. HYDE		
		APPROVED W.R. HYDE		
		RELEASE DATE 2001-10-12		
		EN-F22229		
		DP-1256		
		THIRD ANGLE PROJECTION		
		ITEM TYPE:		
		DRAWN M. GOBLE		
		CHECKED W.R. HYDE		
		APPROVED W.R. HYDE		
		RELEASE DATE 2001-10-12		
		EN-F22229		
		DP-1256		
		THIRD ANGLE PROJECTION		
		ITEM TYPE:		
		DRAWN M. GOBLE		
		CHECKED W.R. HYDE		
		APPROVED W.R. HYDE		
		RELEASE DATE 2001-10-12		
		EN-F22229		
		DP-1256		
		THIRD ANGLE PROJECTION		
		ITEM TYPE:		
		DRAWN M. GOBLE		
		CHECKED W.R. HYDE		
		APPROVED W.R. HYDE		
		RELEASE DATE 2001-10-12		
		EN-F22229		
		DP-1256		
		THIRD ANGLE PROJECTION		
		ITEM TYPE:		
		DRAWN M. GOBLE		
		CHECKED W.R. HYDE		
		APPROVED W.R. HYDE		
		RELEASE DATE 2001-10-12		
		EN-F22229		
		DP-1256		
		THIRD ANGLE PROJECTION		
		ITEM TYPE:		
		DRAWN M. GOBLE		
		CHECKED W.R. HYDE		
		APPROVED W.R. HYDE		
		RELEASE DATE 2001-10-12		
		EN-F22229		
		DP-1256		
		THIRD ANGLE PROJECTION		
		ITEM TYPE:		
		DRAWN M. GOBLE		
		CHECKED W.R. HYDE		
		APPROVED W.R. HYDE		
		RELEASE DATE 2001-10-12		
		EN-F22229		
		DP-1256		
		THIRD ANGLE PROJECTION		
		ITEM TYPE:		