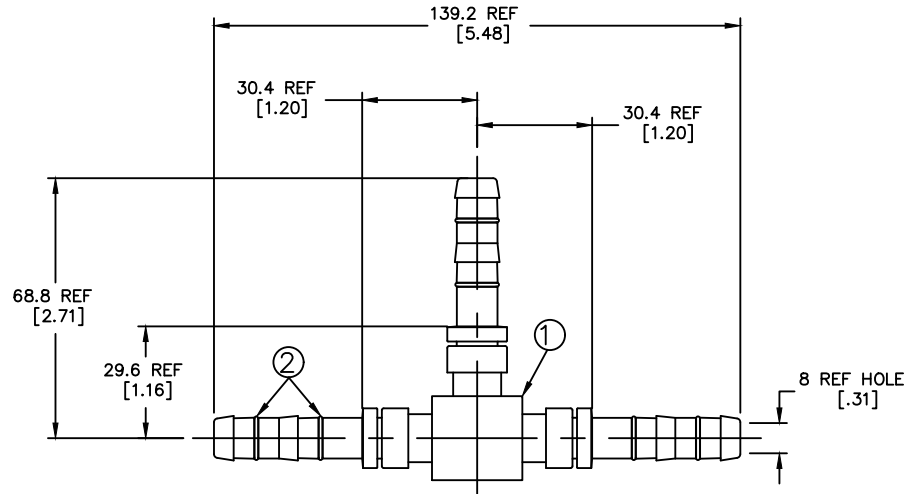


REVISIONS			
REV	DESCRIPTION	DATE	APPROVED



METRIC

- DIMENSIONS ARE IN MILLIMETERS [INCES].
- LUBRICATE O'RINGS AND ASSEMBLE TO NIPPLES AS SHOWN.

FJ3066-0808S	FJ2066-0808S	1F40106-08			
AEROQUIP PART NUMBER	① NIPPLE ASSEMBLY	② O'RING (6 REQ'D)			
LIST OF MATERIALS					
ITEM NO.	MATERIAL	DRAWN W.R.HYDE	FLUID CONVEYANCE DIVISION DRAWING TITLE <b>FITTING ASSEMBLY</b> TEE, GH134 HOSE		
1	STEEL	CHECKED R.D.GARRETT			
2	HNBR	APPROVED J.GRAU			
		RELEASE DATE 1999-12-06			
		EN-F19576	SIZE A2	DRAWING NUMBER FJ3066-0808S	REV
		DP-1256	SCALE	DIST U	CAGE CODE 01276
		THIRD ANGLE PROJECTION			SHEET NO
		ITEM TYPE: TZA			

DWG. NO. FJ3066-0808S SH. REV.