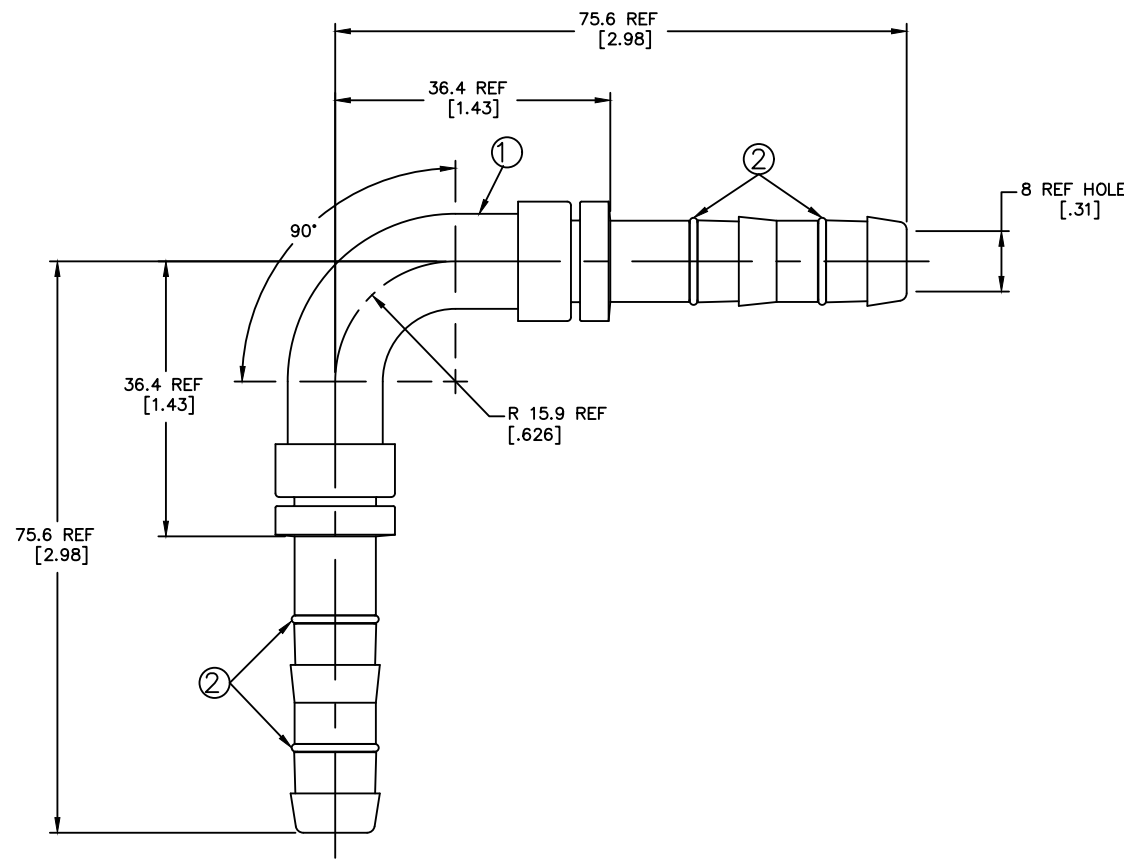


REVISIONS			
REV	DESCRIPTION	DATE	APPROVED
A	(1) WAS 1F40016-08-01AB	2000-08-25 REI	EN-F20076 DP-1299



METRIC

- 2. DIMENSIONS ARE IN MILLIMETERS [INCHES].
- 1. LUBRICATE O'RINGS AND ASSEMBLE TO NIPPLE AS SHOWN.

AEROQUIP PART NUMBER	FJ2058-02-0808S	1F40106-08			
	① NIPPLE ASSEMBLY	② O'RING (4 REQ'D)			
LIST OF MATERIALS					
ITEM NO.	MATERIAL	DRAWN W.R.HYDE	FLUID CONVEYANCE DIVISION		
1	STEEL	CHECKED J. BAHNSEN	DRAWING TITLE FITTING ASSEMBLY 90°, HOSE SPLICER, GH134 HOSE		
2	HNBR	APPROVED J. BAHNSEN			
		RELEASE DATE 2000-01-11	SIZE A2	DRAWING NUMBER FJ3058-02-0808S	REV A
		EN-F19522 DP-1256	SCALE	DIST U	CAGE CODE 01276
		THIRD ANGLE PROJECTION	SHEET NO		
		ITEM TYPE: TZA			

DWG. NO. FJ3058-02-0808S REV. A SH. A