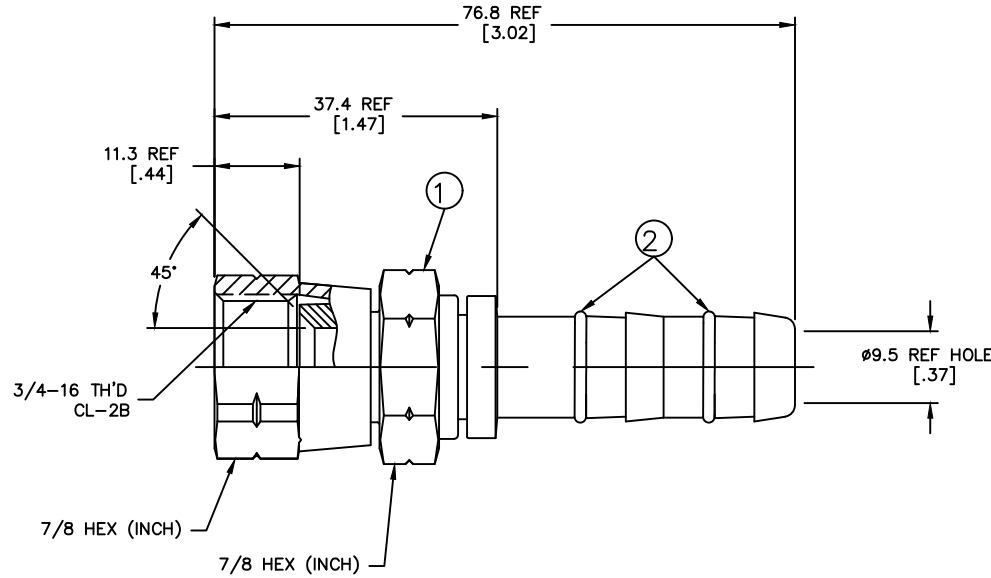


REVISIONS			
REV	DESCRIPTION	DATE	APPROVED
A	(1)NIPPLE ASSEMBLY CALLOUT WAS NIPPLE	2001-04-09 A.L./W.H.	EN-F21400 DP-24901



METRIC

2. DIMENSIONS ARE IN MILLIMETERS [INCHES].
1. PROCESS AS FOLLOWS:
 - (a) LUBRICATE O-RINGS AND ASSEMBLE AS SHOWN.

FJ3057-04-0810S	FJ2057-04-0810S	1F40106-10			
AEROQUIP PART NUMBER	① NIPPLE ASSEMBLY	② O-RINGS (2 REQ'D)			
LIST OF MATERIALS					
ITEM NO.	MATERIAL	DRAWN W.R.HYDE	FLUID CONVEYANCE DIVISION DRAWING TITLE FITTING ASSEMBLY SAE 45° SWIVEL, GH134 HOSE		
1	STEEL	CHECKED D. BAILEY			
2	HNBR	APPROVED D.BAILEY			
		RELEASE DATE 2000-09-01			
		EN-F20482	SIZE	DRAWING NUMBER	REV
		DP-1256	A2	FJ3057-04-0810S	A
		THIRD ANGLE PROJECTION	SCALE	DIST	CAGE CODE
			2/1	U	01276
		ITEM TYPE:		SHEET	

DWG. NO. FJ3057-04-0810S REV. A SH. A