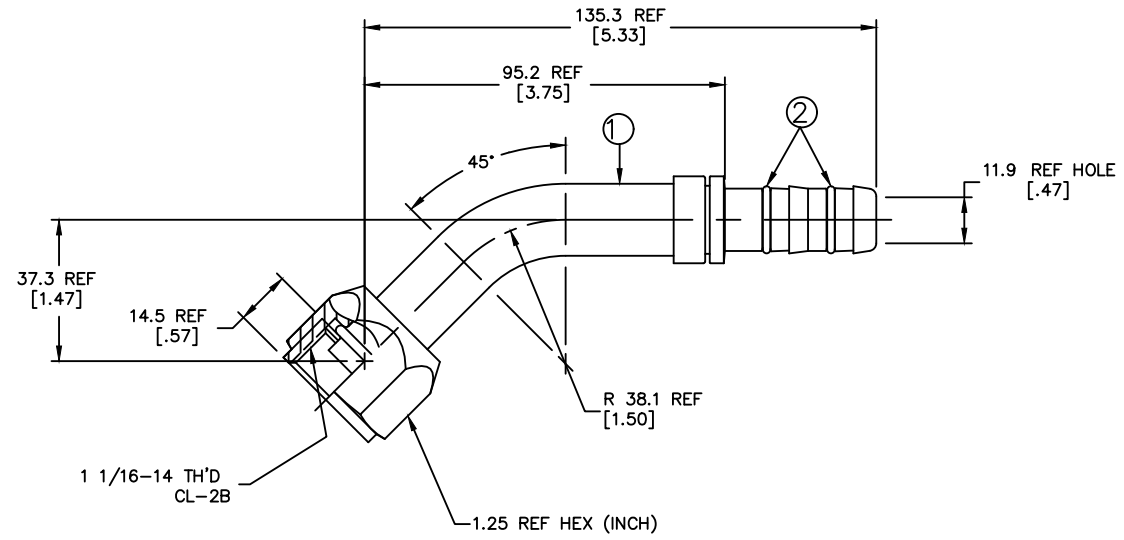


REVISIONS			
REV	DESCRIPTION	DATE	APPROVED



METRIC

2. DIMENSIONS ARE IN MILLIMETERS [INCHES].
1. LUBRICATE O-RINGS AND ASSEMBLE TO NIPPLE AS SHOWN.

FJ3055-07-1212S	FJ2055-07-1212S	1F40106-12		
AEROQUIP PART NUMBER	① NIPPLE ASSEMBLY	② O'RING (2 REQ'D)		
LIST OF MATERIALS				
ITEM NO.	MATERIAL	DRAWN W.R.HYDE	FLUID CONVEYANCE DIVISION DRAWING TITLE FITTING ASSEMBLY 45° FEMALE O'RING PILOT (SHORT), GH134 HOSE	
1	STEEL	CHECKED R.D.GARRETT		
2	HNBR	APPROVED R.D.GARRETT		
		RELEASE DATE 1999-12-19		
		EN-F19520	SIZE A2	DRAWING NUMBER FJ3055-07-1212S
		DP-1256	SCALE	DIST U
		THIRD ANGLE PROJECTION	CAGE CODE	01276
		ITEM TYPE: TSA	SHEET NO	

DWG. NO. FJ3055-07-1212S