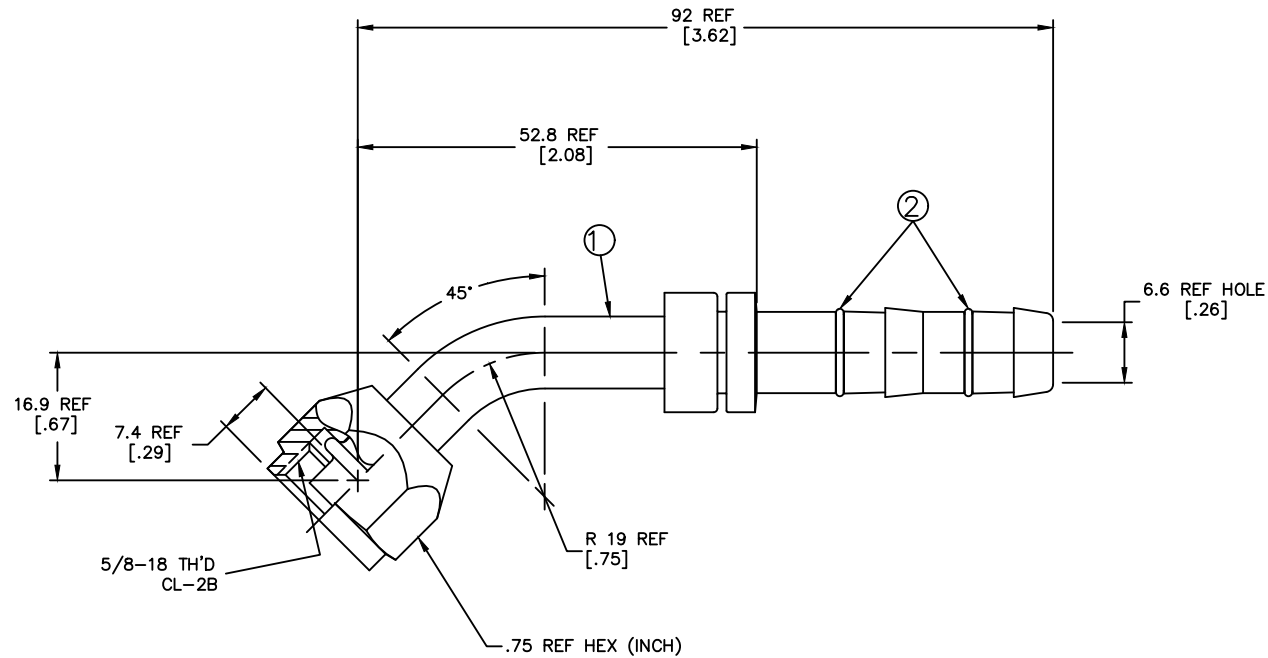


| REVISIONS | | | |
|-----------|-------------|------|----------|
| REV | DESCRIPTION | DATE | APPROVED |
| | | | |



METRIC

2. DIMENSIONS ARE IN MILLIMETERS [INCHES].
1. LUBRICATE O'RINGS AND ASSEMBLE TO NIPPLE AS SHOWN.

| | | | | |
|----------------------|-------------------|----------------------------|---|-----------------------------------|
| FJ3055-02-0608S | FJ2055-02-0608S | 1F40106-08 | | |
| AEROQUIP PART NUMBER | ① NIPPLE ASSEMBLY | ② O'RING (2 REQ'D) | | |
| LIST OF MATERIALS | | | | |
| ITEM NO. | MATERIAL | DRAWN W.R.HYDE | FLUID CONVEYANCE DIVISION DRAWING TITLE FITTING ASSEMBLY 45° FEMALE O'RING PILOT (SHORT), GH134 HOSE | |
| 1 | STEEL | CHECKED R.D.GARRETT | | |
| 2 | HNBR | APPROVED R.D.GARRETT | | |
| | | RELEASE DATE 1999-12-19 | | |
| | | EN-F19520 DP-1256 | SIZE A2 | DRAWING NUMBER FJ3055-02-0608S |
| | | THIRD ANGLE PROJECTION | SCALE | DIST U |
| | | ITEM TYPE: TSA | CAGE CODE | 01276 |
| | | | SHEET NO | |

DWG. NO. FJ3055-02-0608S