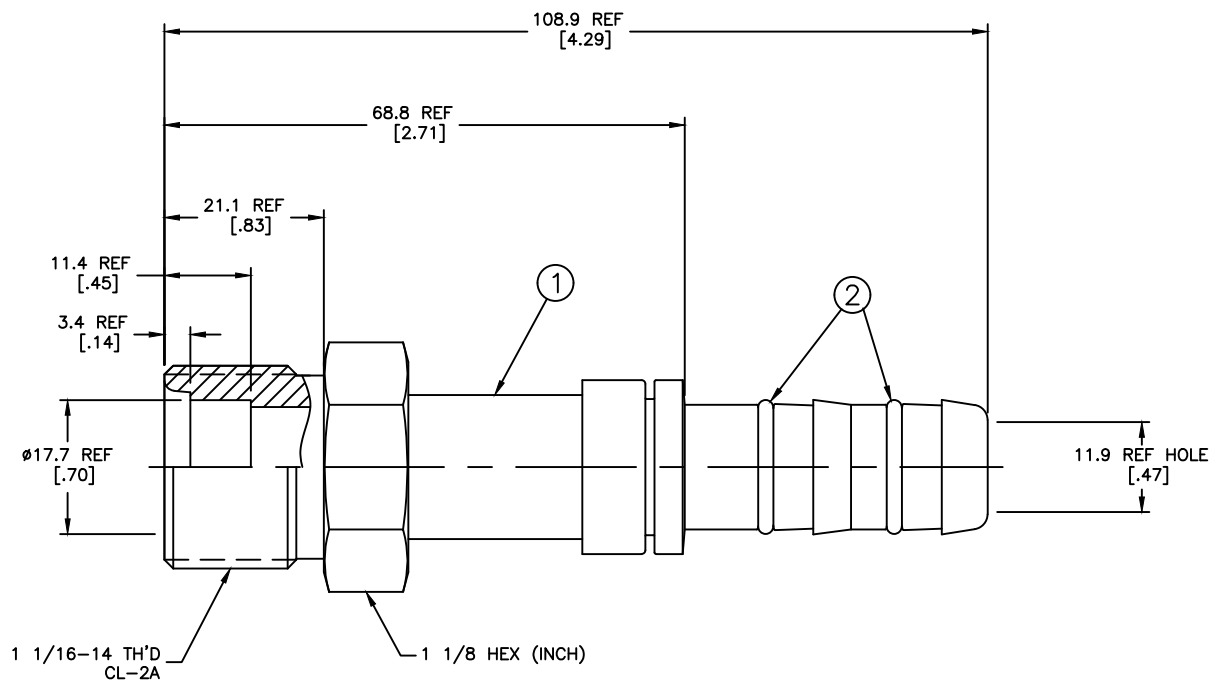


REVISIONS			
REV	DESCRIPTION	DATE	APPROVED



- 2. DIMENSIONS ARE IN MILLIMETERS [INCHES].
- 1. LUBRICATE O'RINGS AND ASSEMBLE TO NIPPLE AS SHOWN.

METRIC

FJ3026-1212S	FJ2026-1212S	1F40106-12		
AEROQUIP PART NUMBER	① NIPPLE ASSEMBLY	② O'RING (2 REQ'D)		
LIST OF MATERIALS				
ITEM NO.	MATERIAL	DRAWN R.KELLY	FLUID CONVEYANCE DIVISION DRAWING TITLE FITTING ASSEMBLY MALE O'RING PILOT (LONG), GH134 HOSE SIZE A2 DRAWING NUMBER FJ3026-1212S SCALE 2/1 DIST U CAGE CODE 01276 SHEET	
1	STEEL	CHECKED D.BAILEY		
2	HNBR	APPROVED D.BAILEY		
		RELEASE DATE 2000-08-01		
		EN-F20295 DP-1256		
		THIRD ANGLE PROJECTION		
		ITEM TYPE:DTZA		

DWG. NO. FJ3026-1212S SH. REV.