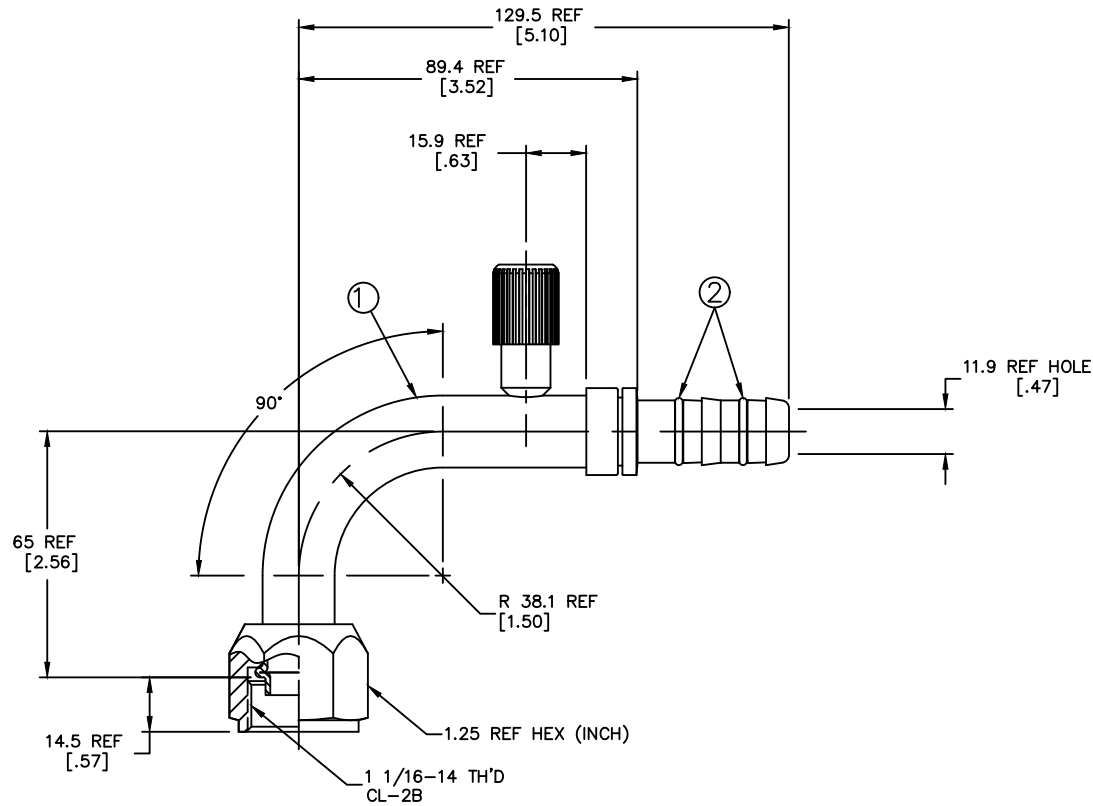


REVISIONS			
REV	DESCRIPTION	DATE	APPROVED



METRIC

- 2. DIMENSIONS ARE IN MILLIMETERS [INCHES].
- 1. LUBRICATE O-RINGS AND ASSEMBLE TO NIPPLE AS SHOWN.

FJ3012-03-1212S	FJ2012-03-1212S	1F40106-12			
AEROQUIP PART NUMBER	① NIPPLE ASSEMBLY	② O-RING (2 REQ'D)			
LIST OF MATERIALS					
ITEM NO.	MATERIAL	DRAWN W.R.HYDE	FLUID CONVEYANCE DIVISION DRAWING TITLE <b>FITTING ASSEMBLY</b> 90° SAE FEMALE O-RING PILOT (SHORT), WITH LOW SIDE CHARGE PORT, GH134 HOSE SIZE DRAWING NUMBER REV A2 FJ3012-03-1212S		
1	STEEL	CHECKED R.D.GARRETT			
2	HNBR	APPROVED R.D.GARRETT			
		RELEASE DATE 1999-12-19			
		EN-F19520	THIRD ANGLE PROJECTION		
		DP-1256	SCALE DIST U CAGE CODE 01276 SHEET NO		
		ITEM TYPE: D TSA			

DWG. NO. FJ3012-03-1212S SH. REV.