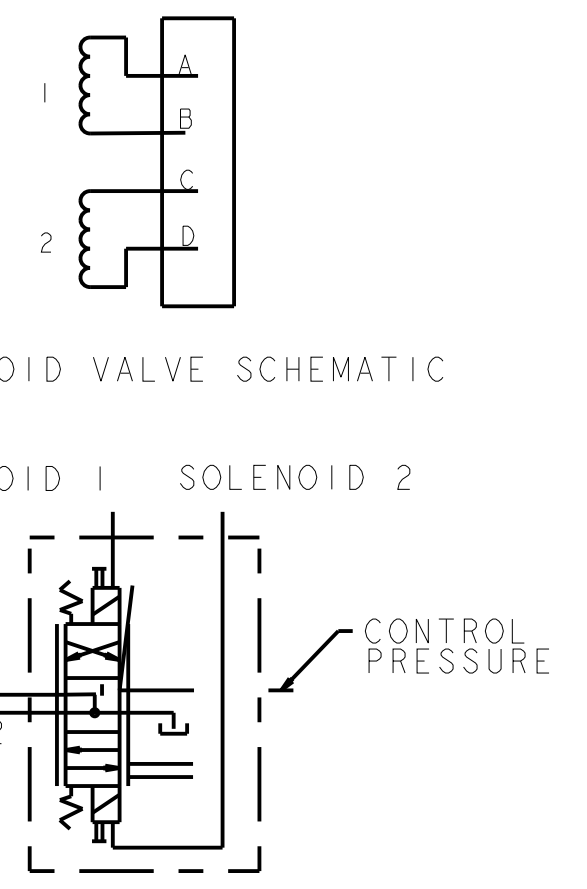
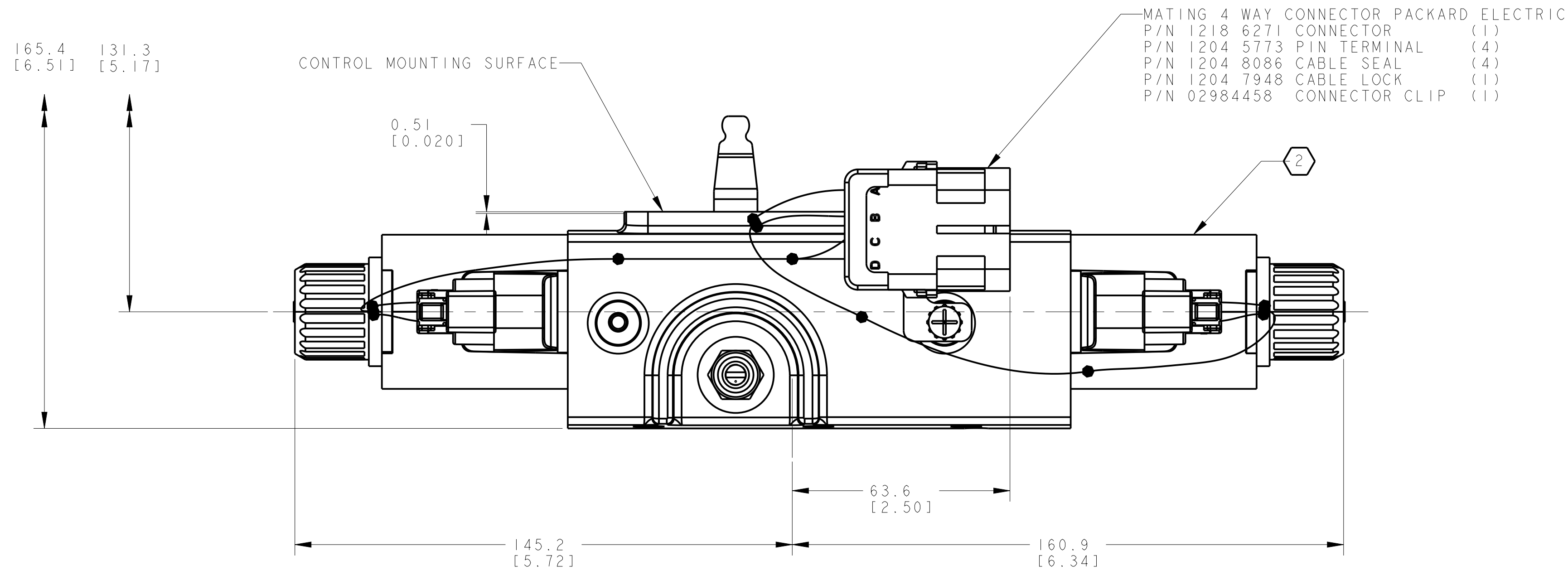


REV	DESCRIPTION	BY	CHK	DATE	ECN / MPS
A	RELEASE FOR SAMPLES AND ESTIMATE	JMS	KJG	10-25-96	X9121
C	ENGINEERING RELEASE	JMS	DLL	03-29-97	29665
D	-1)(5D) P/N 1218 6568 WAS 1204 7950 -2)(6C)40.7[1.60] WAS 60.8[2.39] -3)REVISED PICTORIALY	JMS	MJZ	05-03-01	38011
E	REVISED NOTE AND MOVED TO LOCATION 2C	NSJ	SKK	11-19-08	0013458
F	-1)REDRAWN IN PRO-E -2)REVISED NOTE 2 -3)(7C)DIM WAS 139.6[5.50] -4)(5C)DIM WAS 154.9[6.10] -5)(4D)DIM WAS 165.1[6.50] -6)(6C)DIM WAS 40.7[1.60] -7)(5D)P/N 1218 6271 WAS 1218 6568 -8)(5D)P/N 1204 5773 WAS 1204 8074 -9)(5D)ADDED P/N 02984458 -10)REVISED PICTORIALY	VMJ	JEM	09/23/15	0058638



NOTE

1 OPERATING LIMITS
TEMPERATURE: -53.9 TO 60°C (-65 TO 140°F)
POWER CONSUMPTION: 28W MAXIMUM

2 SIGNAL INPUT:
COILS HAVE NO INTERNAL DIODES, A-B POLARITY AND C-D POLARITY DOES NOT AFFECT PERFORMANCE

12 VDC COIL:
5.25 OHMS±10% RESISTANCE AT 25°C
8.6 mH NOMINAL INDUCTANCE
NEUTRAL AT I<0.4 A
FULL DISPLACEMENT AT I=1.5 A (MAX CONTINUOUS)

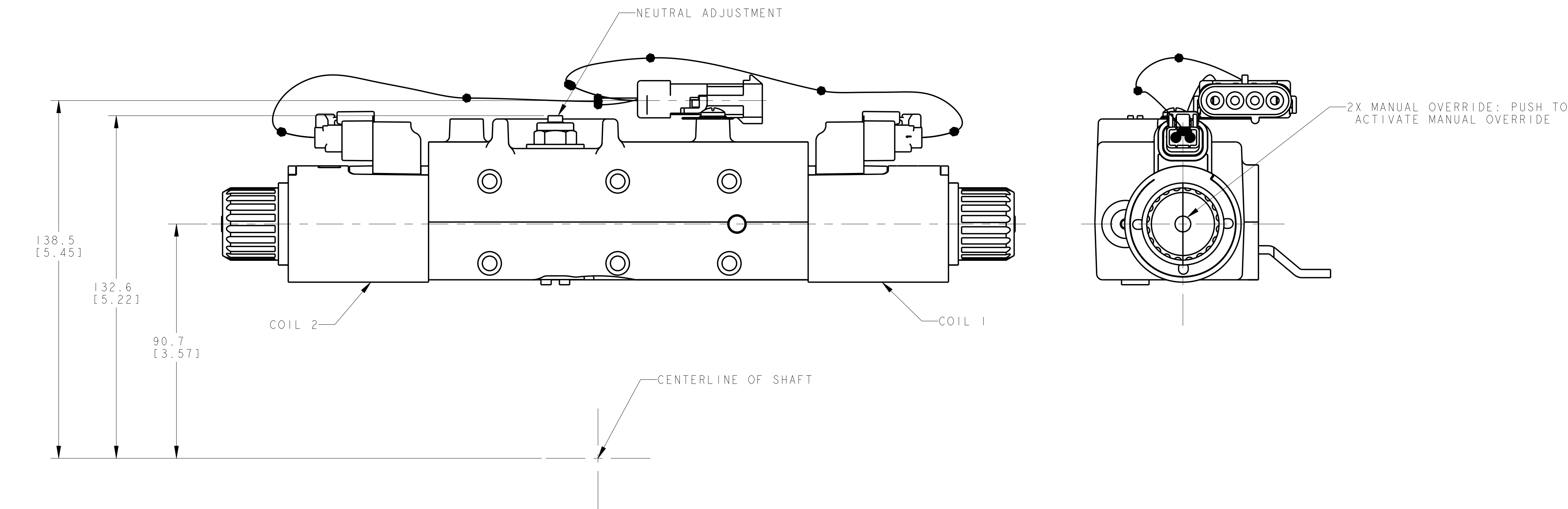
24 VDC COIL:
20.80 OHMS±10% RESISTANCE AT 25°C
33.9 mH NOMINAL INDUCTANCE
NEUTRAL AT I<0.2 A
FULL DISPLACEMENT AT I=0.75 A (MAX CONTINUOUS)

3 PWM CONFIGURATION:
CLOSED LOOP CURRENT CONTROL OF THE SOLENOID CURRENT VIA PWM DUTY-CYCLE VARIATION.
(COIL CURRENTS MUST BE LIMITED TO NOT EXCEED SOLENOID COIL SPECIFICATION)

FREQUENCY: 70-200 Hz
(100 Hz RECOMMENDED WHEN PWM DRIVER DOES NOT HAVE BUILT-IN DITHER APPLICATION)

4 DITHER SIGNAL:
THE DESIGN MUST PROVIDE FOR A SEPERATE DITHER SIGNAL TO BE ADDED TO THE INPUT COMMAND.

WAVEFORM: SQUARE
FREQUENCY: 75(+25,-15) Hz
AMPLITUDE: .250+.100-.050A PK-PK



INPUT SHAFT ROTATION	CW		CCW	
SOLENOID ENERGIZED	1	2	1	2
PORT A FLOW	IN	OUT	OUT	IN
PORT B FLOW	OUT	IN	IN	OUT

UNLESS OTHERWISE SPECIFIED ALL DIMENSIONS ARE IN INCHES MILLIMETERS

TOLERANCES
.X ± ----
.XX ± ----
.XXX ± ----
∠ ± ----

UNSPECIFIED RADIUS ARE: ----
METALLURGY: ----
BY/DATE: ----

UNSPECIFIED DRAFT ANGLES ARE: ----°

D SIZE DO NOT SCALE

DRAWING BASED ON ASME Y14.5-2009

THE REPRODUCTION, DISTRIBUTION, AND UTILIZATION OF THIS DOCUMENT, AS WELL AS THE COMMUNICATION OF ITS CONTENTS TO OTHERS WITHOUT EXPLICIT AUTHORIZATION IS PROHIBITED. OFFENDERS WILL BE HELD LIABLE FOR THE PAYMENT OF DAMAGES. ALL RIGHTS RESERVED IN THE EVENT OF THE GRANT OF A PATENT, UTILITY MODEL, OR DESIGN. (PER ISO 1016)

DRAWN JMS BY/DATE 11-20-96
CHECKED KJG BY/DATE 12-03-96
ENGRG KJG BY/DATE 12-03-96
METALLURGY: ----
BY/DATE: ----

MATERIAL/HEAT TREAT
TITLE
SERVO CONTROL INSTALLATION

NUMBER
A-387-029

SCALE 1/2 SHEET 1 OF 1

REVIEWED FOR CLASSIFICATION PER ESP-042

Danfoss