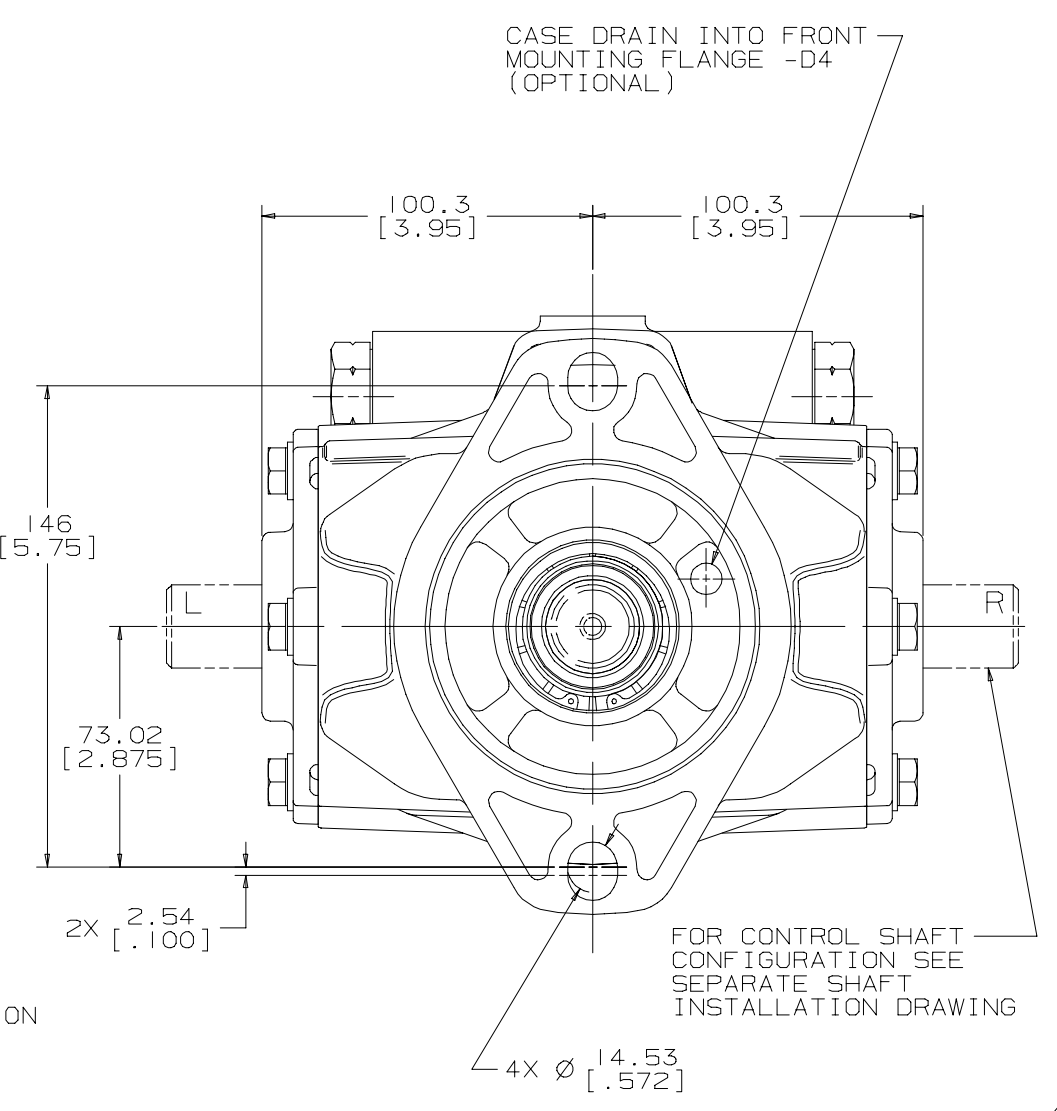
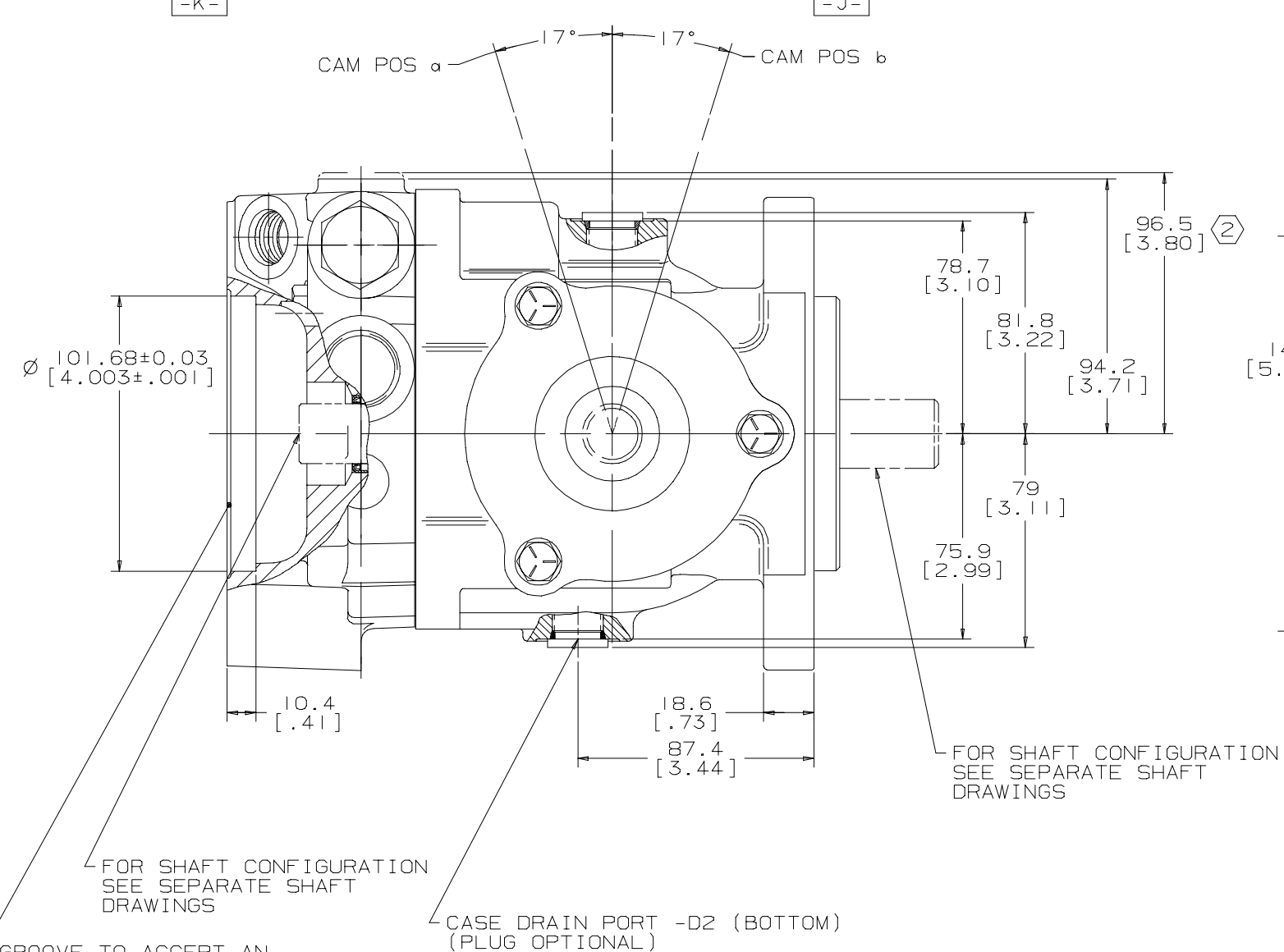
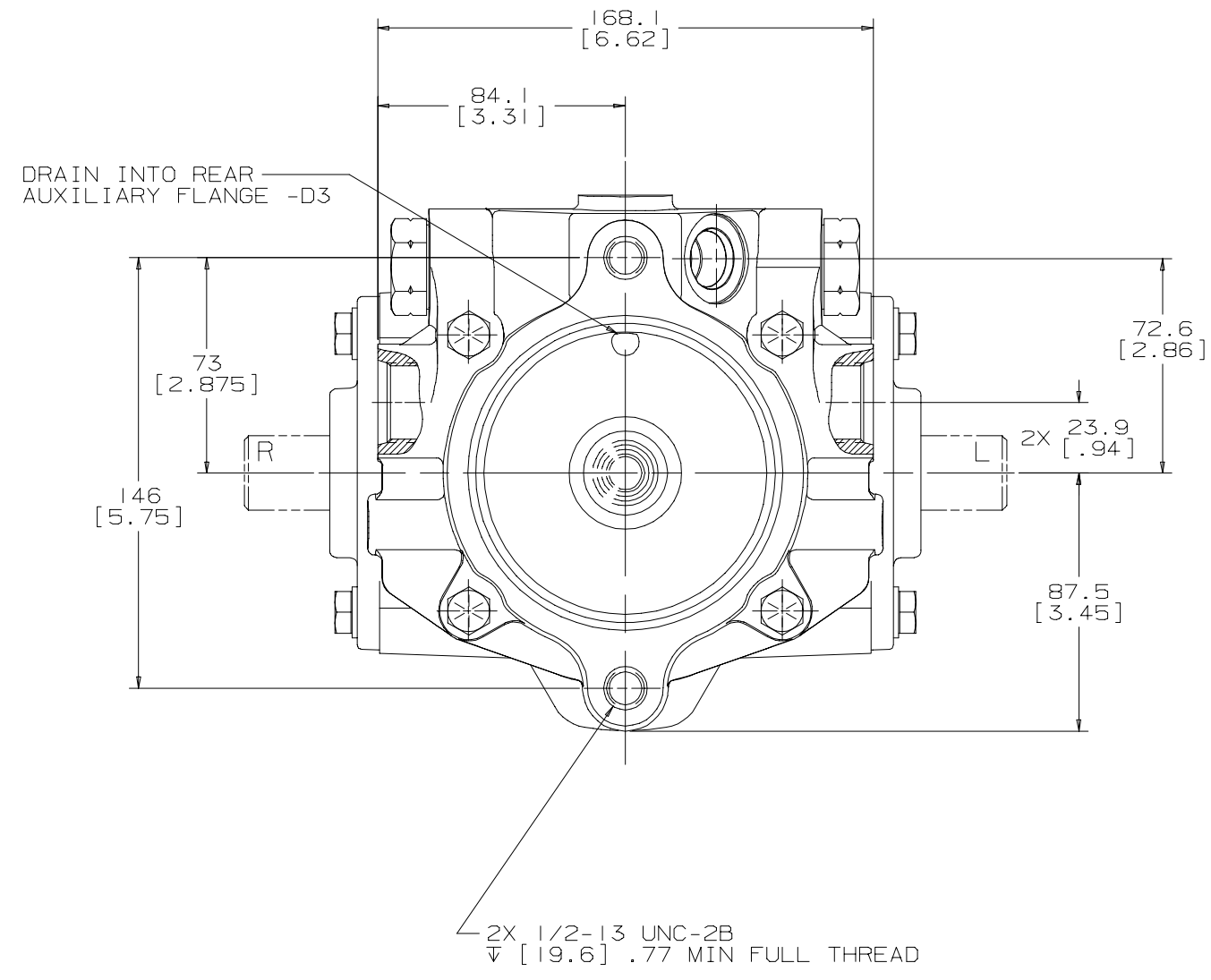
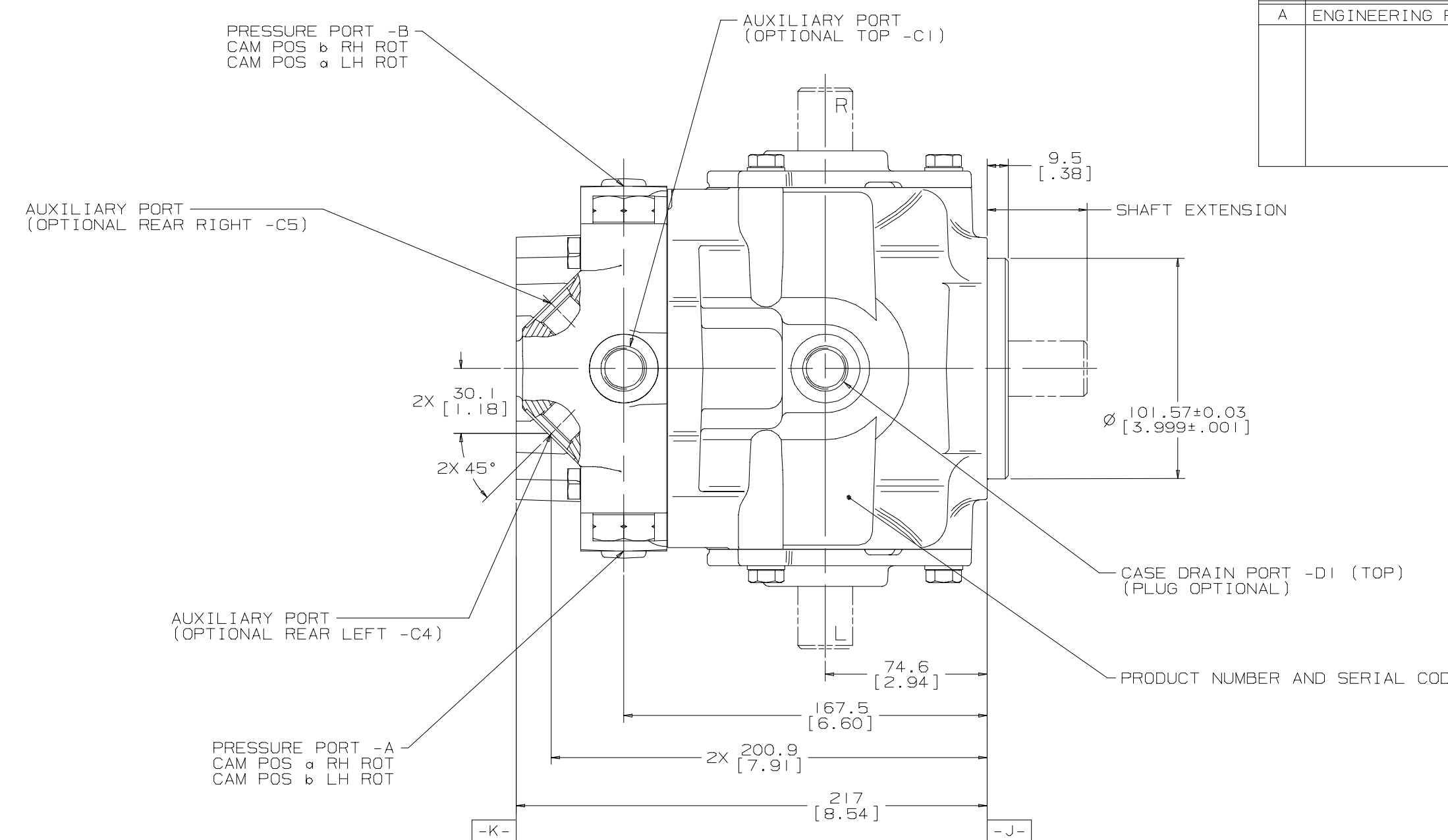


NOTE
 1 UNIT MUST BE INSTALLED IN SUCH A POSITION THAT THE CASE DRAIN ASSURES AN OIL LEVEL AT OR ABOVE UNIT CENTERLINE OIL LEVEL MUST BE AT CENTER LINE OR ABOVE BEFORE STARTING
 2 DIMENSION WHEN PORT IS NOT PRESENT

REV	DESCRIPTION	BY	CHK	DATE	ECN
A	ENGINEERING RELEASE	JMS	CEW	1-19-95	MI2977



UNLESS OTHERWISE SPECIFIED ALL DIMENSIONS ARE IN INCHES <input type="checkbox"/> MILLIMETERS <input checked="" type="checkbox"/>		DRAWING BASED ON ANSI Y14.5M-1982	
TOLERANCES .X ---- .XX ---- .XXX ---- < ----		THE REPRODUCTION, DISTRIBUTION, AND UTILIZATION OF THIS DOCUMENT, AS WELL AS THE COMMUNICATION OF ITS CONTENTS TO OTHERS WITHOUT EXPLICIT AUTHORIZATION IS PROHIBITED. OFFENDERS WILL BE HELD LIABLE FOR THE PAYMENT OF DAMAGES. ALL RIGHTS RESERVED IN THE EVENT OF THE GRANT OF A PATENT, UTILITY MODEL, OR DESIGN. (PER ISO 16016)	
UNSPECIFIED RADIUS ARE ----		DRAWN BY/DATE JMS 2-21-97	
UNSPECIFIED DRAFT ANGLES ARE ----		CHECKED BY/DATE CEW 3-10-97	
DRAWING FORMAT CADD <input checked="" type="checkbox"/> MANUAL <input type="checkbox"/>		ENGR BY/DATE CEW 3-12-97	
THIRD ANGLE PROJECTION <input checked="" type="checkbox"/>		METALLURGY ----	
DO NOT SCALE		TITLE PISTON PUMP INSTALLATION	
ARITHMETICAL AVERAGE		MATERIAL/HEAT TREAT	
SCALE 1/1		NUMBER A-1169-009	
SHEET 1 OF 1			

