

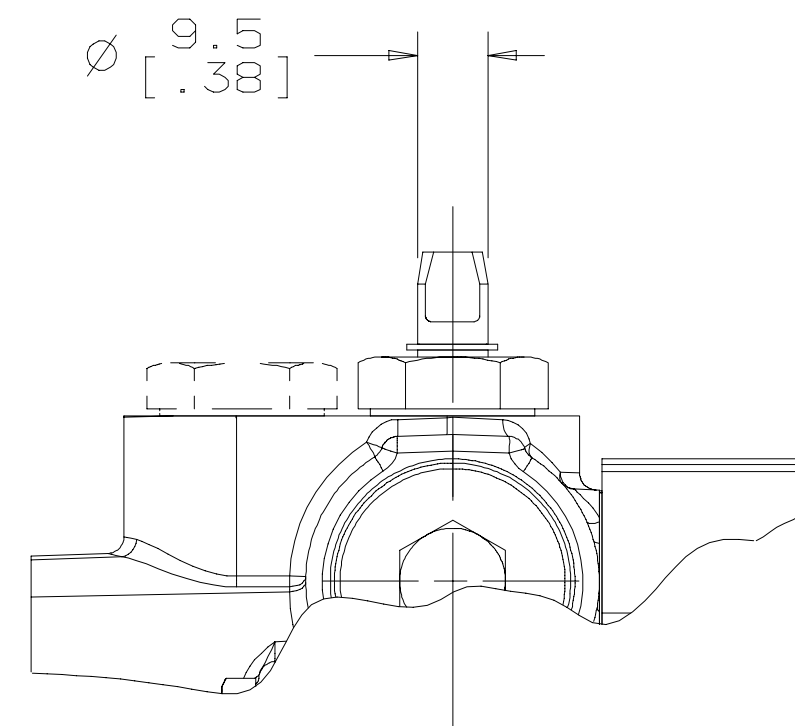
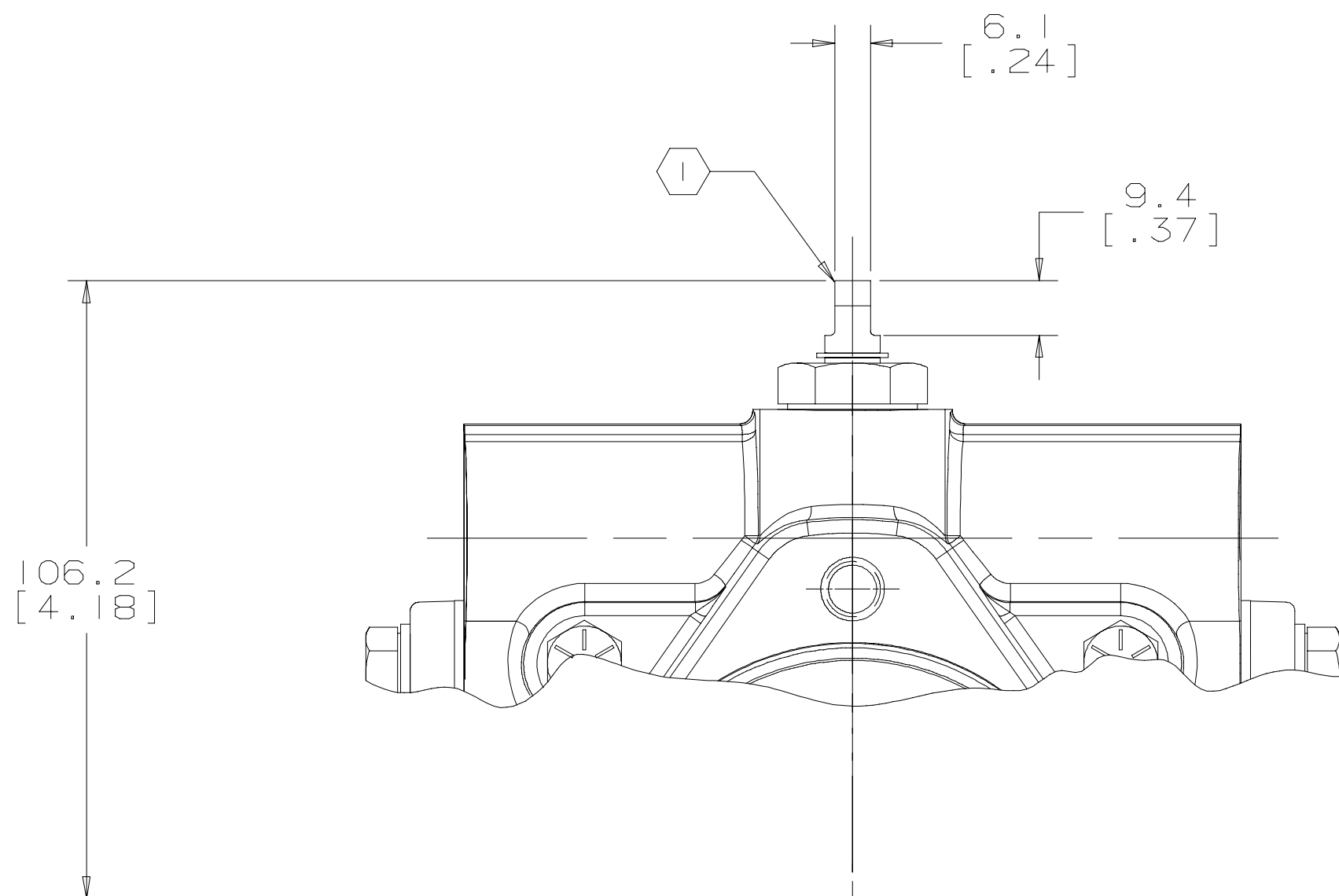
4

3

2

1

REV	DESCRIPTION	BY	CHK	DATE	ECN
A	ENGINEERING RELEASE	DLL	SSW	2-26-01	M25102



G H

NOTE

① CAUTION
 THIS BYPASS VALVE TO BE USED IN CASE OF EMERGENCY ONLY
 EXCESS TOWING MAY DAMAGE HYDRAULIC SYSTEM
 BEFORE TOWING VEHICLE TURN VALVE 90° TO DECLUTCH
 DO NOT TURN WHILE MACHINE IS RUNNING

UNLESS OTHERWISE SPECIFIED ALL DIMENSIONS ARE IN INCHES <input type="checkbox"/> MILLIMETERS <input checked="" type="checkbox"/> TOLERANCES .X ± --- .XX ± --- .XXX ± --- < ± --- UNSPECIFIED RADII ARE --- UNSPECIFIED DRAFT ANGLES ARE --- DRAWING FORMAT CADD <input checked="" type="checkbox"/> MANUAL <input type="checkbox"/>	DRAWING BASED ON ANSI Y14.5M-1982	
	THE REPRODUCTION, DISTRIBUTION, AND UTILIZATION OF THIS DOCUMENT, AS WELL AS THE COMMUNICATION OF ITS CONTENTS TO OTHERS WITHOUT EXPLICIT AUTHORIZATION IS PROHIBITED. OFFENDERS WILL BE HELD LIABLE FOR THE PAYMENT OF DAMAGES. ALL RIGHTS RESERVED IN THE EVENT OF THE GRANT OF A PATENT, UTILITY MODEL, OR DESIGN. (PER ISO 16016)	
DRAWN BY/DATE DLL 6-6-2001 CHECKED BY/DATE SSW 6-25-01 ENGRG BY/DATE SSW 6-25-01 METALLURGY BY/DATE ---	MATERIAL/HEAT TREAT TITLE BYPASS VALVE INSTALLATION	
THIRD ANGLE PROJECTION DO NOT SCALE	MICROINCHES <input checked="" type="checkbox"/> MICROMETERS <input type="checkbox"/> ARITHMETICAL AVERAGE	NUMBER A-929-003 SCALE 1/1 SHEET 1 OF 1

4

3

2

1