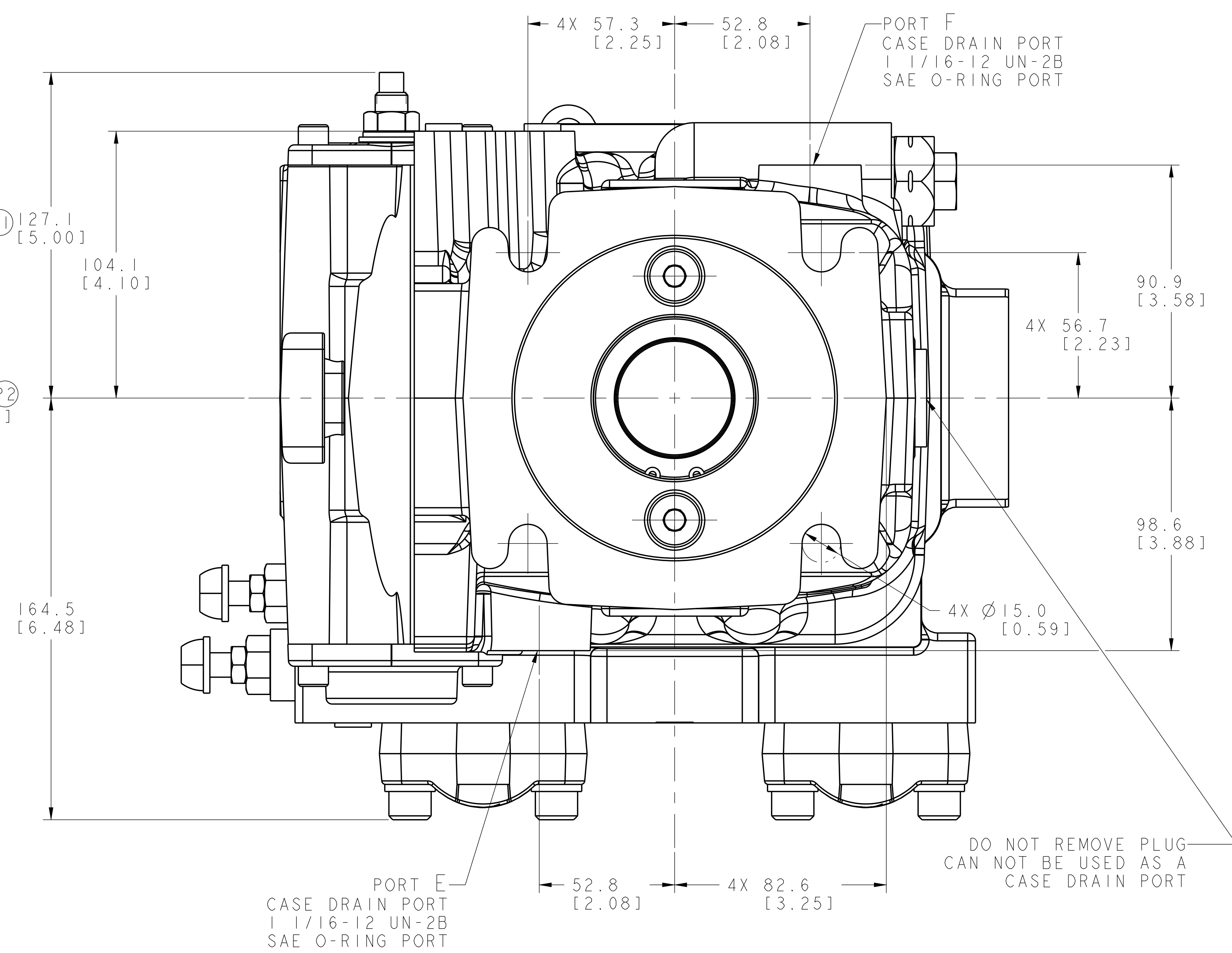
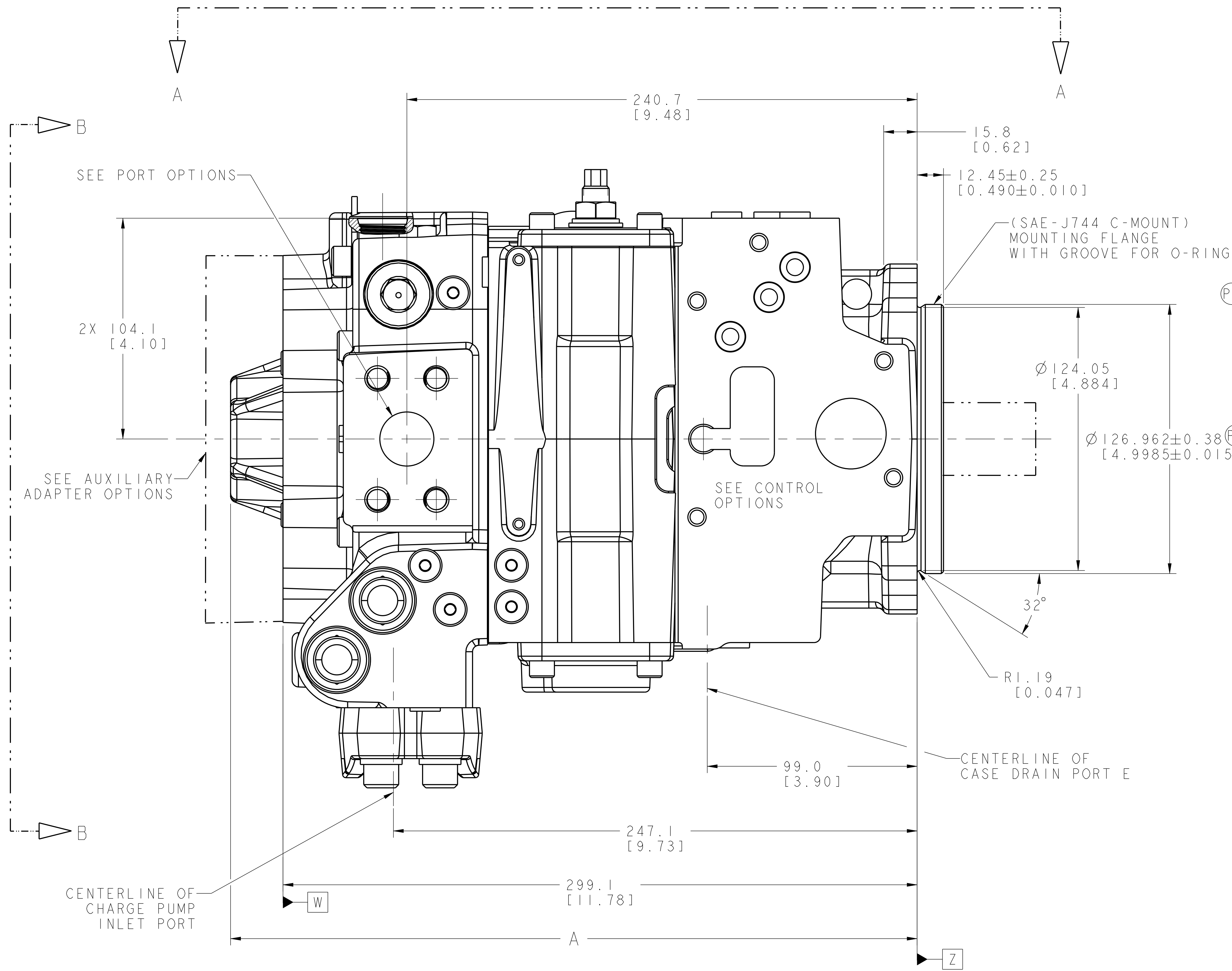


REV	DESCRIPTION	BY	CHK	DATE	ECN / MPS
A	RELEASE FOR SAMPLES AND ESTIMATES	RLL		05-09-95	X7920
B	ENGINEERING RELEASE	JJV		4-15-96	28055
L	-1) REDRAWN IN PRO-E -2) REVISED PICTORIALY	JMB	AB	09-03-19	0114112
M	REVISED PICTORIALY	PSG	JMB	09-03-19	0114112
N	(2E) REVISED PICTORIALY MOUNTING FLANGE	JMB	PSG	09-03-19	0114112
P	SHEET 1 -1)(4F) DIM WAS 123.2 [4.85], -2)(4E) DIM WAS $\phi 127.00$ [5.000]	JMB	PSG	09-03-19	0114112
R	SHEET 2 (C2) ADDED DIM 185.3[7.30] & 192.5[7.58]	JMB	JMB	05-22-20	0121813



CHARGE PUMP DISPLACEMENT	DIM A
13.9 cm ³ /r [0.85 in ³ /r]	309.9[12.20]
17.4 cm ³ /r [1.06 in ³ /r]	313.4[12.34]
21.0 cm ³ /r [1.28 in ³ /r]	317.0[12.48]
27.9 cm ³ /r [1.70 in ³ /r]	323.8[12.75]

- NOTE
- FOR ADDITIONAL INFORMATION ON INSTALLATION, START-UP PROCEDURES, AND RECOMMENDED FLUIDS, CONTACT YOUR EATON REPRESENTATIVE
 - ALL PORTS SEALED FOR SHIPPING
 - UNLESS OTHERWISE SPECIFIED ALL DIMENSIONS ARE NOMINAL
 - UNIT SHAFT ROTATION SPECIFIED IS VIEWED FROM INPUT SHAFT END

REVIEWED FOR CLASSIFICATION PER ESP-042

DRAWING BASED ON ASME Y14.5-2009

UNLESS OTHERWISE SPECIFIED ALL DIMENSIONS ARE IN INCHES MILLIMETERS (INCHES)

TOLERANCES
 .x ± ---
 .xx ± ---
 .xxx ± ---
 < ± ---°

UNSPECIFIED RADII ARE: ---
 UNSPECIFIED DRAFT ANGLES ARE: ---°

E SIZE

THIRD ANGLE PROJECTION
 DO NOT SCALE

ARITHMETICAL AVERAGE

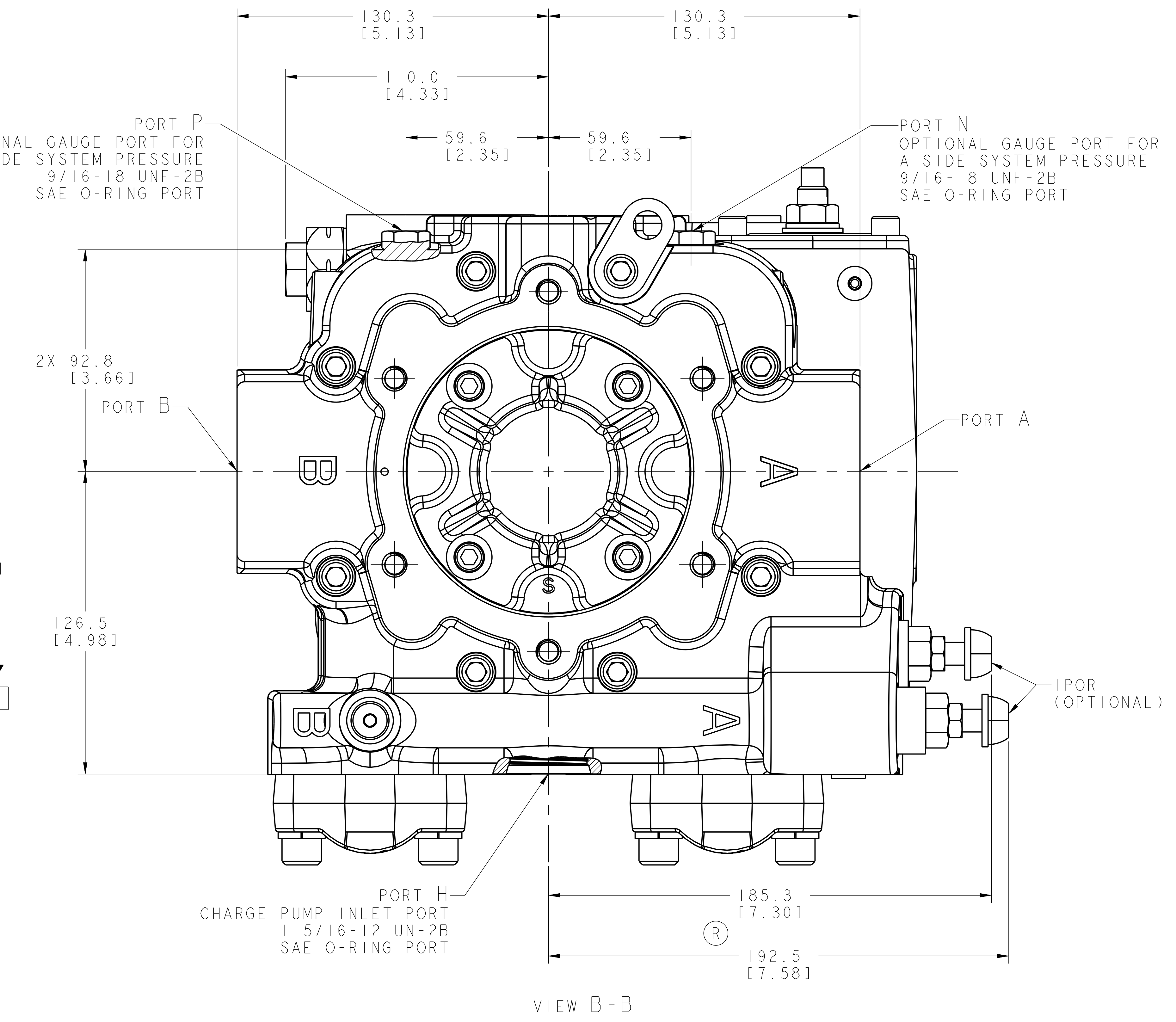
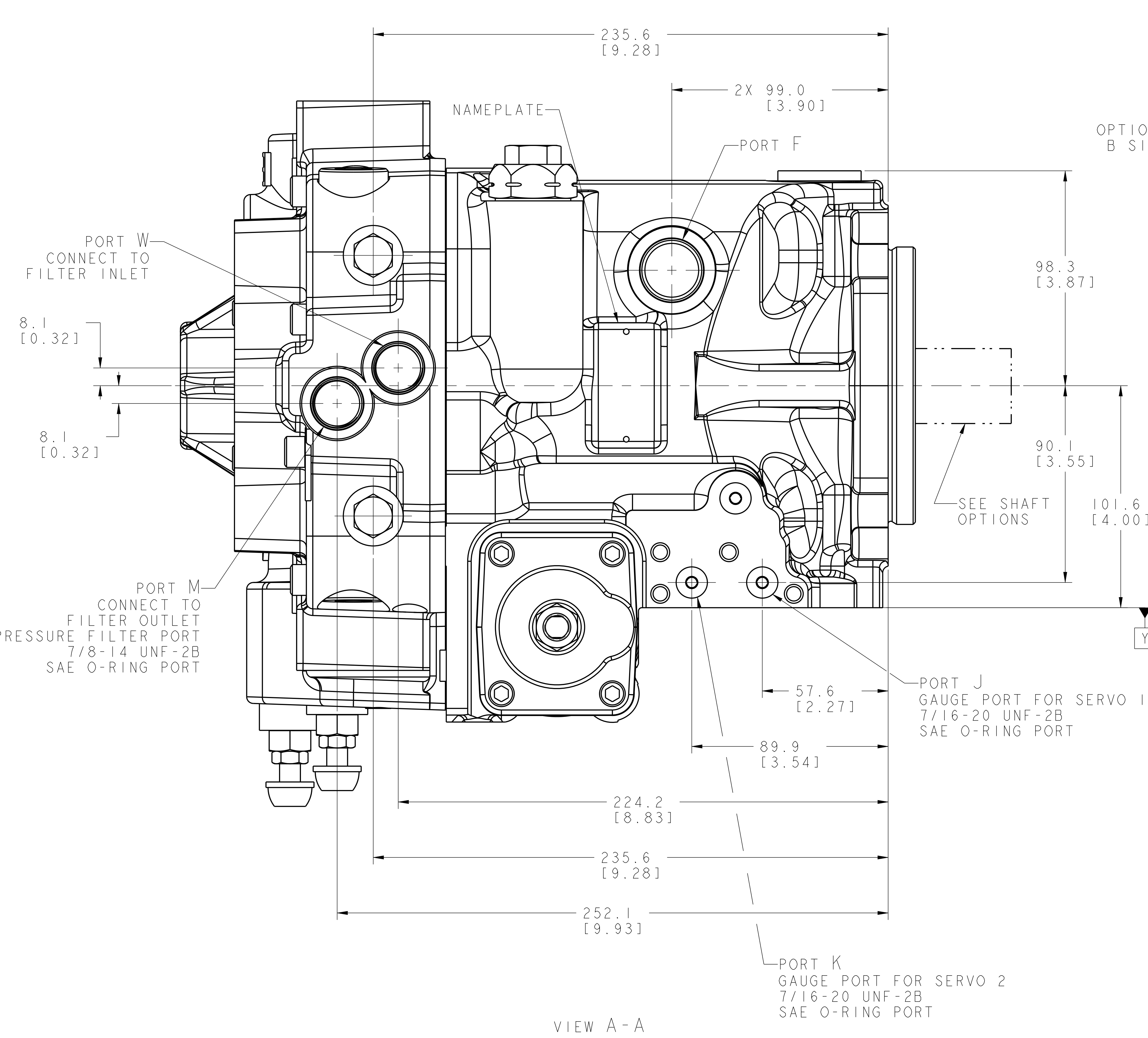
THE REPRODUCTION, DISTRIBUTION, AND UTILIZATION OF THIS DOCUMENT, AS WELL AS THE COMMUNICATION OF ITS CONTENTS TO OTHERS WITHOUT EXPLICIT AUTHORIZATION IS PROHIBITED. OFFENDERS WILL BE HELD LIABLE FOR THE PAYMENT OF DAMAGES. ALL RIGHTS RESERVED IN THE EVENT OF THE GRANT OF A PATENT, UTILITY MODEL, OR DESIGN. (PER ISO 16016)

DRAWN RLL BY/DATE 5-17-95
 CHECKED JGS BY/DATE 11-9-95
 ENGRG MFW BY/DATE 11-9-95
 METALLURGY --- BY/DATE ---

MATERIAL/HEAT TREAT ---
 TITLE 54, 64, 75 CC SERIES 2 VARIABLE PUMP INSTALLATION, HIGH TORQUE, REMOTE PRESSURE FILTER PORT

NUMBER A-991-004
 SCALE 1/1
 SHEET 1 OF 2

REV	DESCRIPTION	BY	CHK	DATE	ECN / MPS
R	SEE SHEET 1 FOR REVISION				



REVIEWED FOR CLASSIFICATION PER ESP-042

DRAWING BASED ON ASME Y14.5-2009

UNLESS OTHERWISE SPECIFIED ALL DIMENSIONS ARE IN: INCHES MILLIMETERS (INCHES)

TOLERANCES: .x ± .005, .xx ± .002, .xxx ± .001, < ± .0005

UNSPECIFIED RADII ARE: ---

UNSPECIFIED DRAFT ANGLES ARE: ---

E SIZE

THIRD ANGLE PROJECTION
DO NOT SCALE

ARITHMETICAL AVERAGE

NUMBER: A-991-004

SCALE: 1/1

SHEET: 2 OF 2

THE REPRODUCTION, DISTRIBUTION, AND UTILIZATION OF THIS DOCUMENT, AS WELL AS THE COMMUNICATION OF ITS CONTENTS TO OTHERS WITHOUT EXPLICIT AUTHORIZATION IS PROHIBITED. OFFENDERS WILL BE HELD LIABLE FOR THE PAYMENT OF DAMAGES. ALL RIGHTS RESERVED IN THE EVENT OF THE GRANT OF A PATENT, UTILITY MODEL, OR DESIGN. (PER ISO 16016)

Danfoss

DRAWN: RLL BY/DATE: 5-17-95
CHECKED: JGS BY/DATE: 11-9-95
ENGRG: MFW BY/DATE: 11-9-95
MATERIAL/HEAT TREAT: ---
TITLE: 54, 64, 75 CC SERIES 2 VARIABLE PUMP INSTALLATION, HIGH TORQUE, REMOTE PRESSURE FILTER PORT