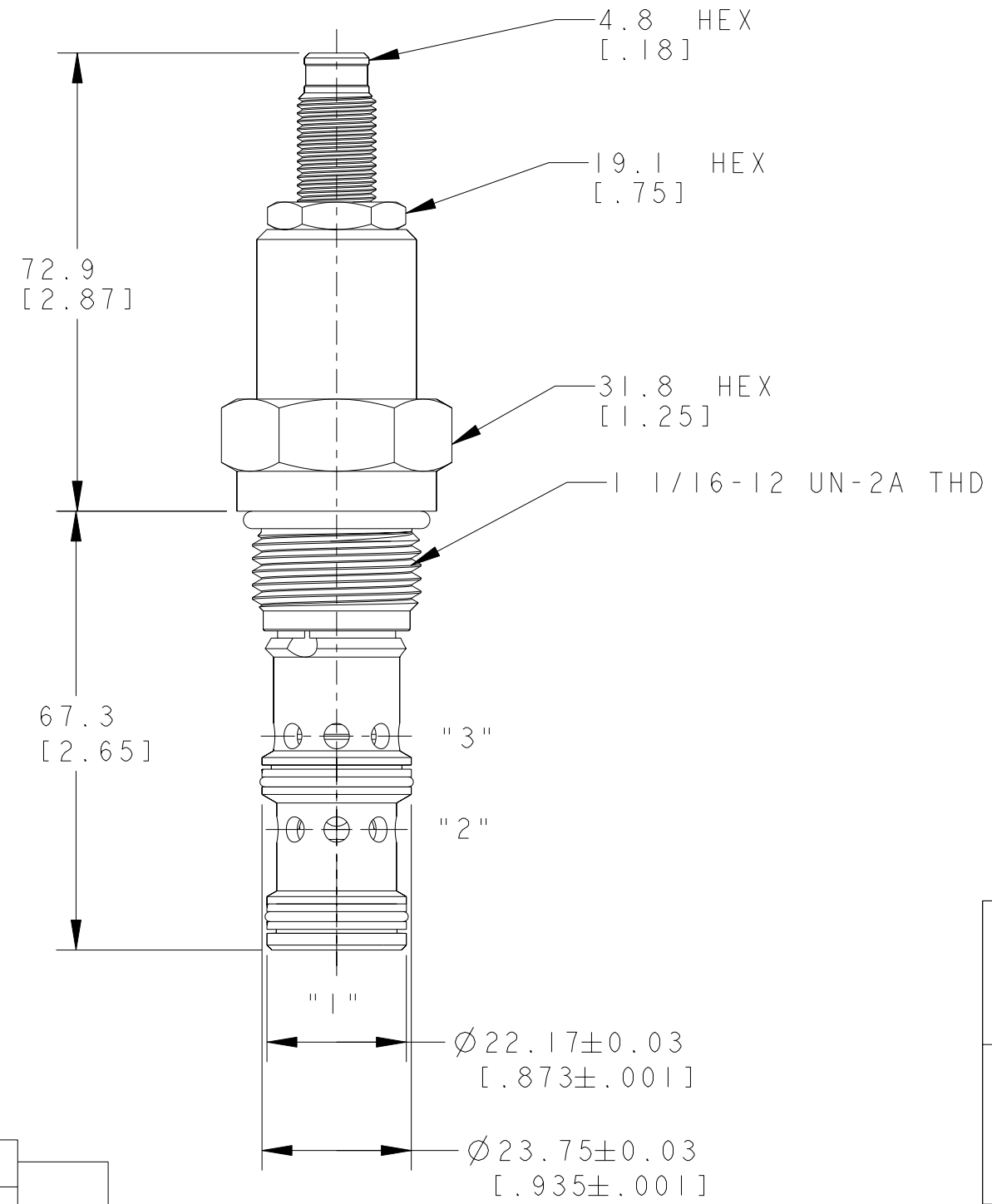
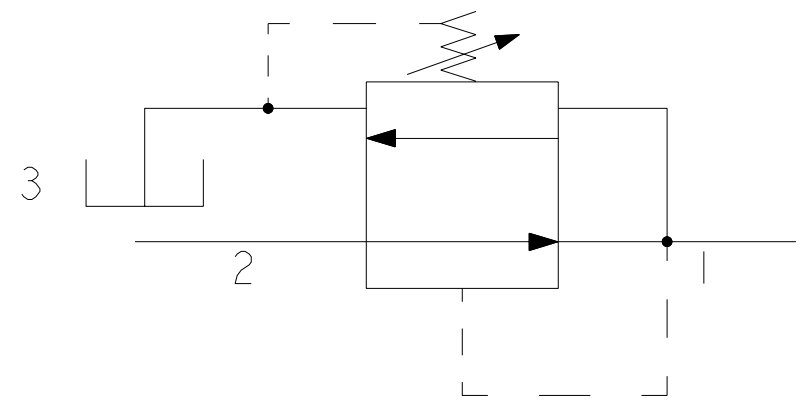


REV	DESCRIPTION	BY	CHK	DATE	ECN / MPS
A	ENGINEERING RELEASE	RSI	JGS	2/12/05	M63978



NOTE:
 1. USE VALVE CAVITY C-12-3.
 2. NET WEIGHT OF CARTRIDGE: 0.4kg [.89 lb]
 3. TORQUE INTO CAVITY:
 ALUMINIUM CAVITY: 81-95 N.m [60-70 lbf.ft]
 STEEL CAVITY : 102-115 N.m [75-85 lbf.ft]

MC
 DISTRIBUTION CODE(S)



UNLESS OTHERWISE SPECIFIED ALL DIMENSIONS ARE IN INCHES <input type="checkbox"/> MILLIMETERS (INCHES) <input checked="" type="checkbox"/>	DRAWING BASED ON ANSI Y14.5M-1982	
	THE REPRODUCTION, DISTRIBUTION, AND UTILIZATION OF THIS DOCUMENT, AS WELL AS THE COMMUNICATION OF ITS CONTENTS TO OTHERS WITHOUT EXPLICIT AUTHORIZATION IS PROHIBITED. OFFENDERS WILL BE HELD LIABLE FOR THE PAYMENT OF DAMAGES. ALL RIGHTS RESERVED IN THE EVENT OF THE GRANT OF A PATENT, UTILITY MODEL, OR DESIGN. (PER ISO 16016)	
TOLERANCES .X ± -- .XX ± -- .XXX ± -- ∠ ± --	DRAWN PAN BY/DATE 06-03-05	MATERIAL/HEAT TREAT -- --
	CHECKED RSI BY/DATE 06-04-05	
UNSPECIFIED RADII ARE: --	ENGRG -- BY/DATE --	TITLE PRV12-12-S INSTALLATION
UNSPECIFIED DRAFT ANGLES ARE: --°	METALLURGY -- BY/DATE --	NUMBER A-2682-097
B SIZE	THIRD ANGLE PROJECTION DO NOT SCALE	SCALE 1/1 SHEET 1 OF 1

