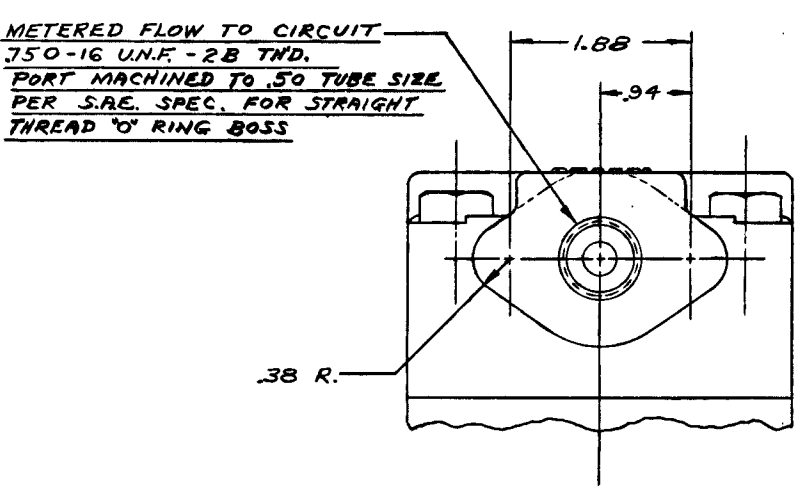
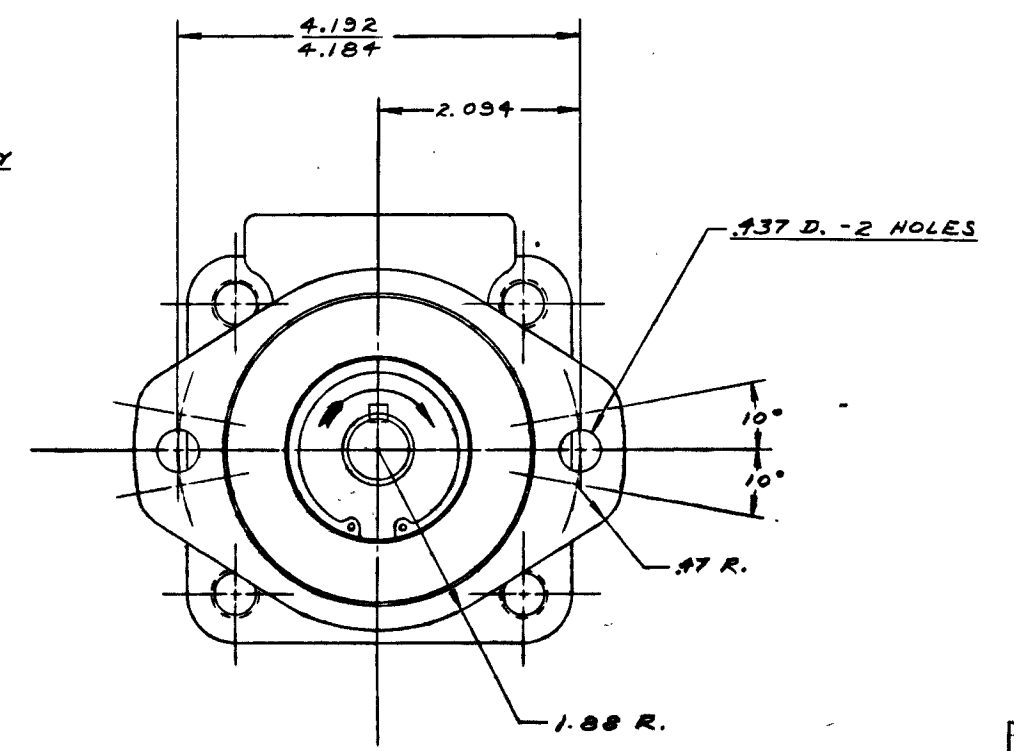
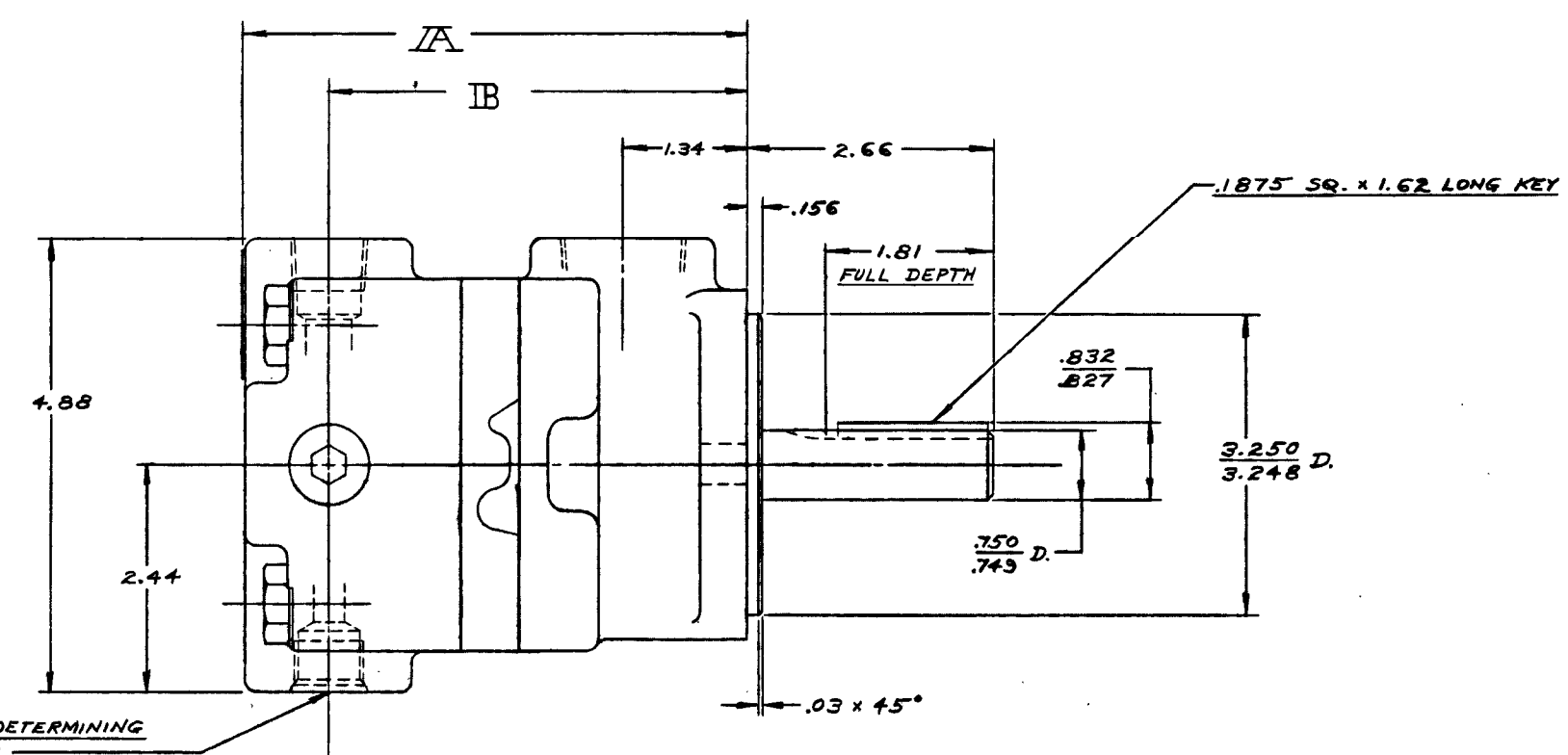
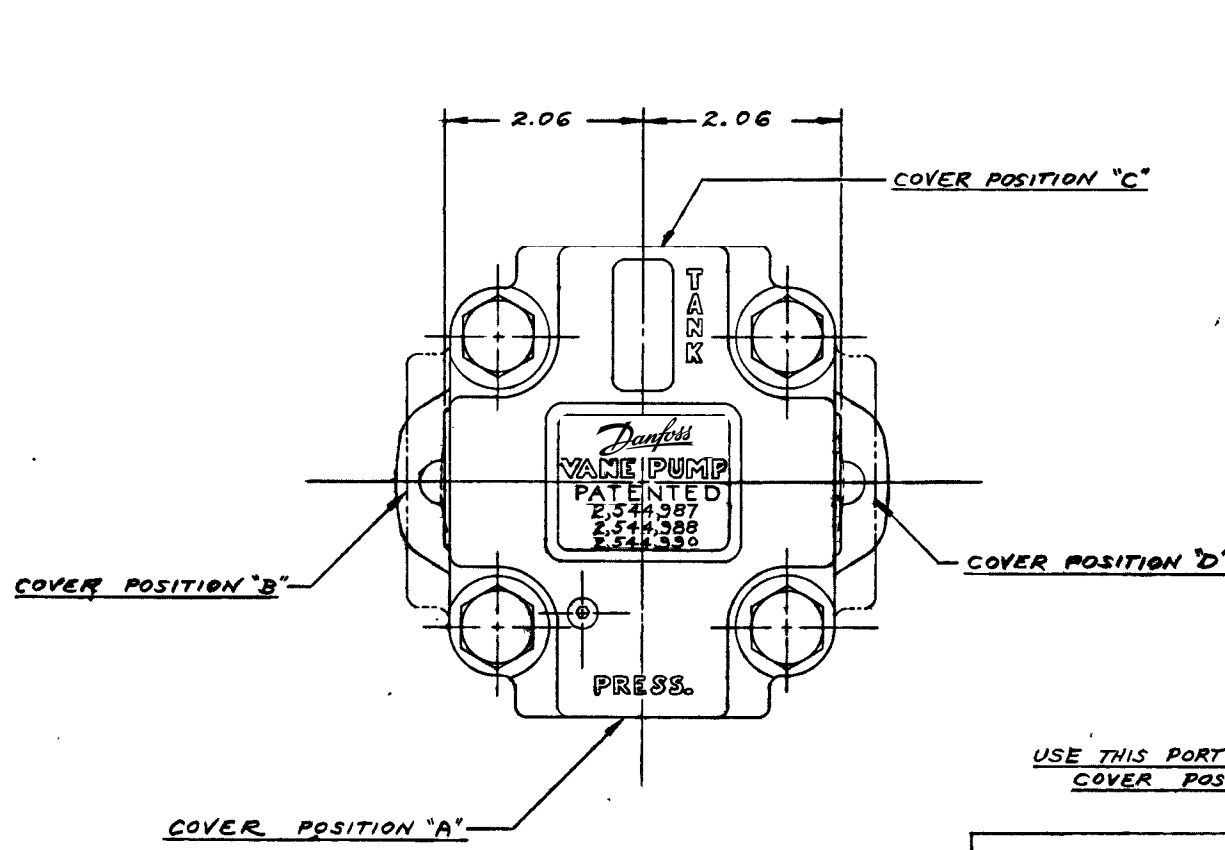


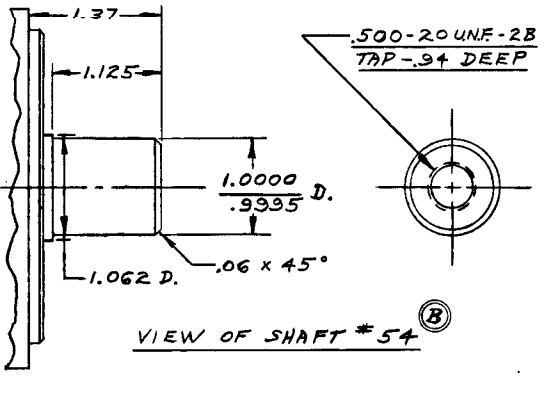
NOMINAL RING RATING (G.P.M.)	IA	IB	MODEL NO.	NOMINAL CONTROLLED FLOW (G.P.M.)	
5	5.50	4.53	V2** - 5 - ** - 12 - S**	2	
6	(A)		V2** - 6 - ** - 12 - S**	4	
8	5.75	4.78	V2** - 8 - ** - 12 - S**	6	
9	(B)		V2** - 9 - ** - 12 - S**	7	
11	(C)	5.95	4.98	V2** - 11 - ** - 12 - S**	8
11	(1)	5.95	4.98	V2** - 11 - ** - 10 - 12 - S**	10



### OIL RECOMMENDATIONS

HYDRAULIC SYSTEM OPERATING RANGE MIN. TO MAX.	TYPE
0°F TO 180°F	S.A.E. 10W OR AUTOMATIC TRANSMISSION FLUID, TYPE A
15°F TO 210°F	S.A.E. 20
32°F TO 230°F	S.A.E. 30
0°F TO 210°F	S.A.E. 10W-30

PREFERRED VISCOSITY RANGE 4000 MAXIMUM TO 60 MINIMUM S.S.U.



MODEL NO.	RELIEF SETTING (P.S.I.)	MAX. RECOMMENDED SPEED (R.P.M.)
V2** - ** - C* - 12 - S138	750	2000
V2** - ** - D* - 12 - S138	1000	
V2** - ** - E* - 12 - S138	1250	
V2** - ** - F* - 12 - S138	1500	
V2** - ** - G* - 12 - S140	1750	
V2** - ** - H* - 12 - S140	2000	

OBTAIN DANFOSS ENGINEERING APPROVAL FOR HIGHER PRESSURES OR SPEEDS.

NOTE: NORMAL ROTATION IS CLOCKWISE AS SHOWN. FOR COUNTERCLOCKWISE ROTATION ADD SUFFIX "LH" TO MODEL NO. AS V210-9-1\*-E\*-12-S138-LH

230273

DATE 10-29-59

SCALE FULL SIZE

INSTALLATION-VANE PUMP E 230273

230273