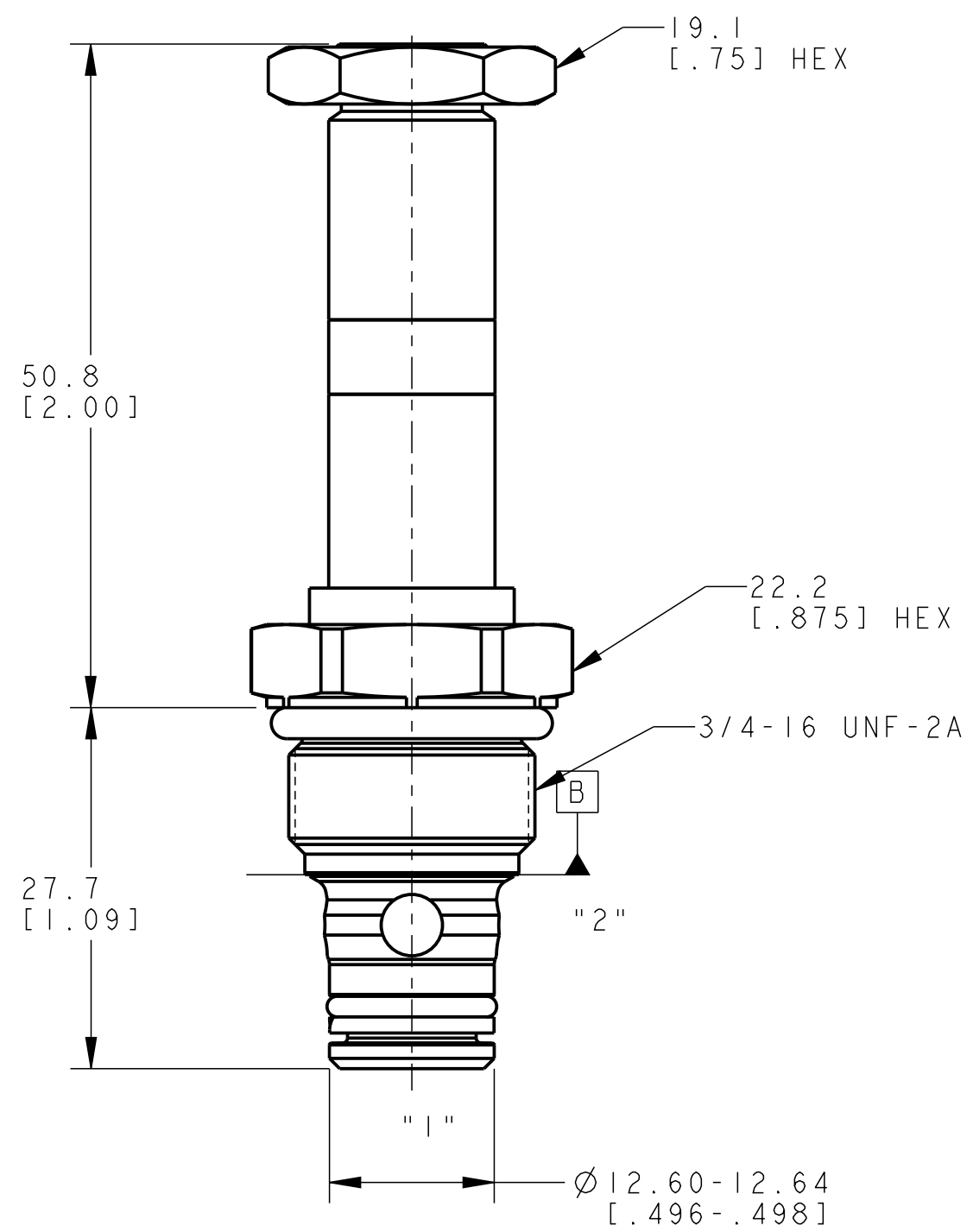
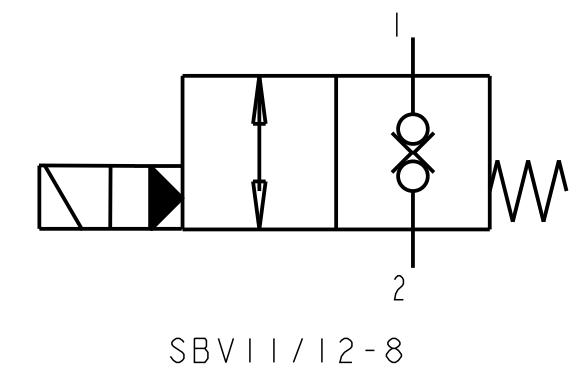


REV	DESCRIPTION	BY	CHK	DATE	ECN / MPS
A	ENGINEERING RELEASE	JGS	AH	2/12/05	M63978
B	NUT HEX DIMENSION WAS 0.625	VR	VR	06-17-11	M82351
C	REPLACED CORE TUBE ASSEMBLY	MBK	VKN	08/21/14	0101003



HYDRAULIC SYMBOL



NOTE:

- USE VALVE CAVITY C-8-2
- NET WEIGHT:  
 CARTRIDGE ONLY: .11kg [.25 lb]  
 CARTRIDGE W/COIL: .31 kg [.69 lb]  
 CARTRIDGE W/COIL AND STEEL BODY: .92 kg [2.03 lb]
- TORQUE INTO STEEL CAVITY 34-41 N.m [25-30 lbf.ft]

UNLESS OTHERWISE SPECIFIED ALL DIMENSIONS ARE IN INCHES <input type="checkbox"/> MILLIMETERS (INCHES) <input checked="" type="checkbox"/>	DRAWING BASED ON ANSI Y14.5M-2009	
	THE REPRODUCTION, DISTRIBUTION, AND UTILIZATION OF THIS DOCUMENT, AS WELL AS THE COMMUNICATION OF ITS CONTENTS TO OTHERS WITHOUT EXPLICIT AUTHORIZATION IS PROHIBITED. OFFENDERS WILL BE HELD LIABLE FOR THE PAYMENT OF DAMAGES. ALL RIGHTS RESERVED IN THE EVENT OF THE GRANT OF A PATENT, UTILITY MODEL, OR DESIGN. (PER ISO 16016)	
TOLERANCES .X ± .XX ± .XXX ± < ±	DRAWN JGS BY/DATE 1/11/05	MATERIAL/HEAT TREAT :
UNSPECIFIED RADII ARE: ----	CHECKED AH BY/DATE 3/14/05	TITLE SBV11/12-8 INSTALLATION DRAWING
UNSPECIFIED DRAFT ANGLES ARE: -----°	ENGRG BY/DATE METALLURGY BY/DATE	NUMBER A-2416-094
B SIZE	THIRD ANGLE PROJECTION DO NOT SCALE	SCALE 2/1 SHEET 1 OF 1

