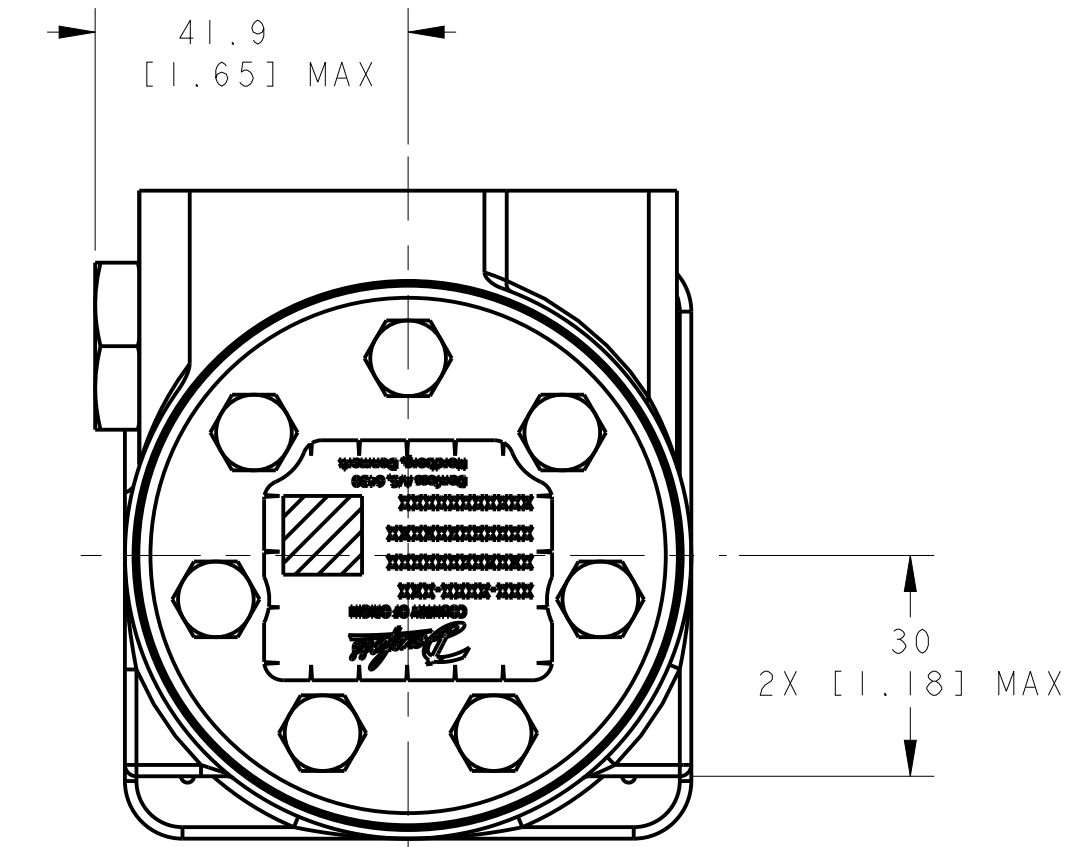
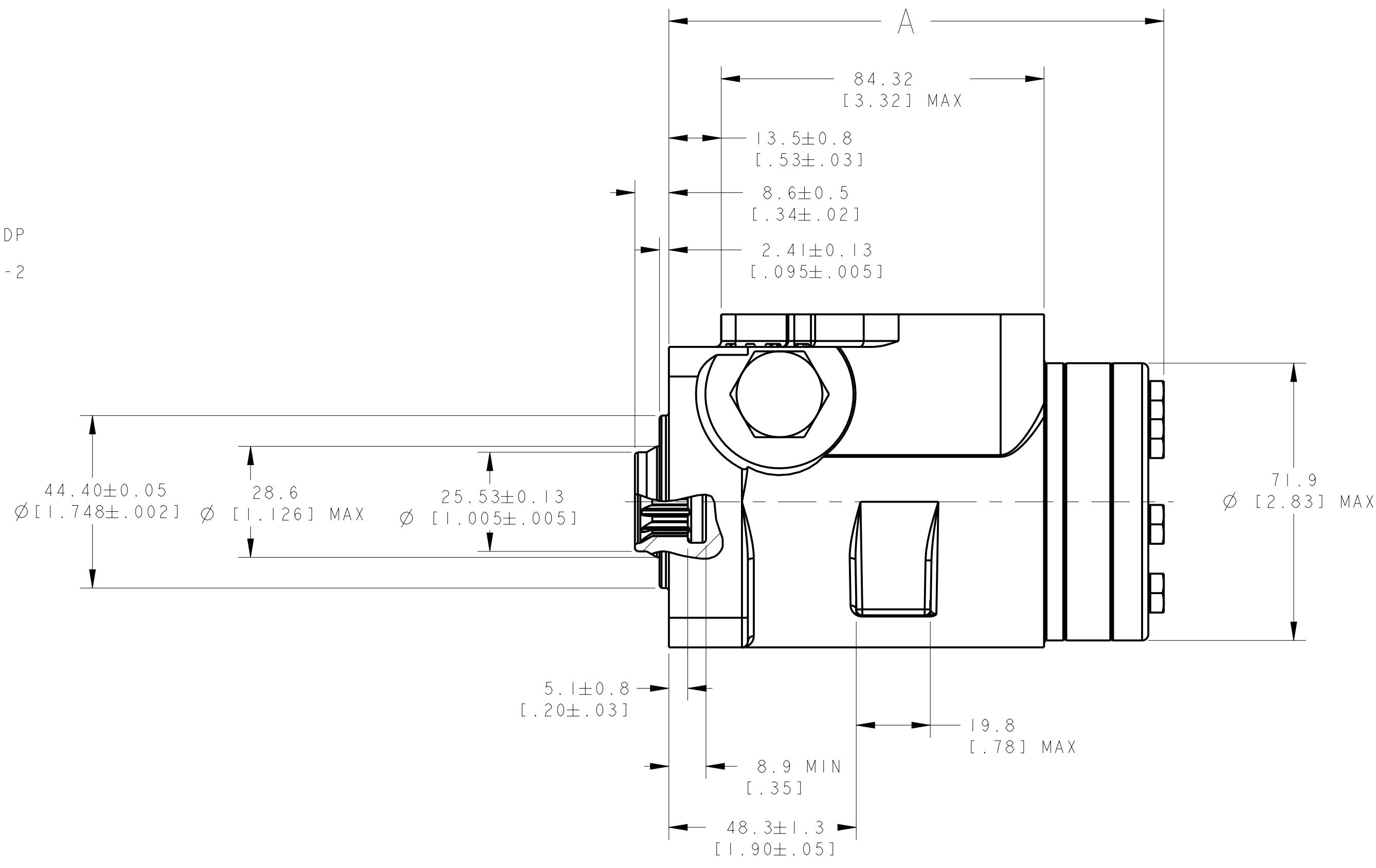
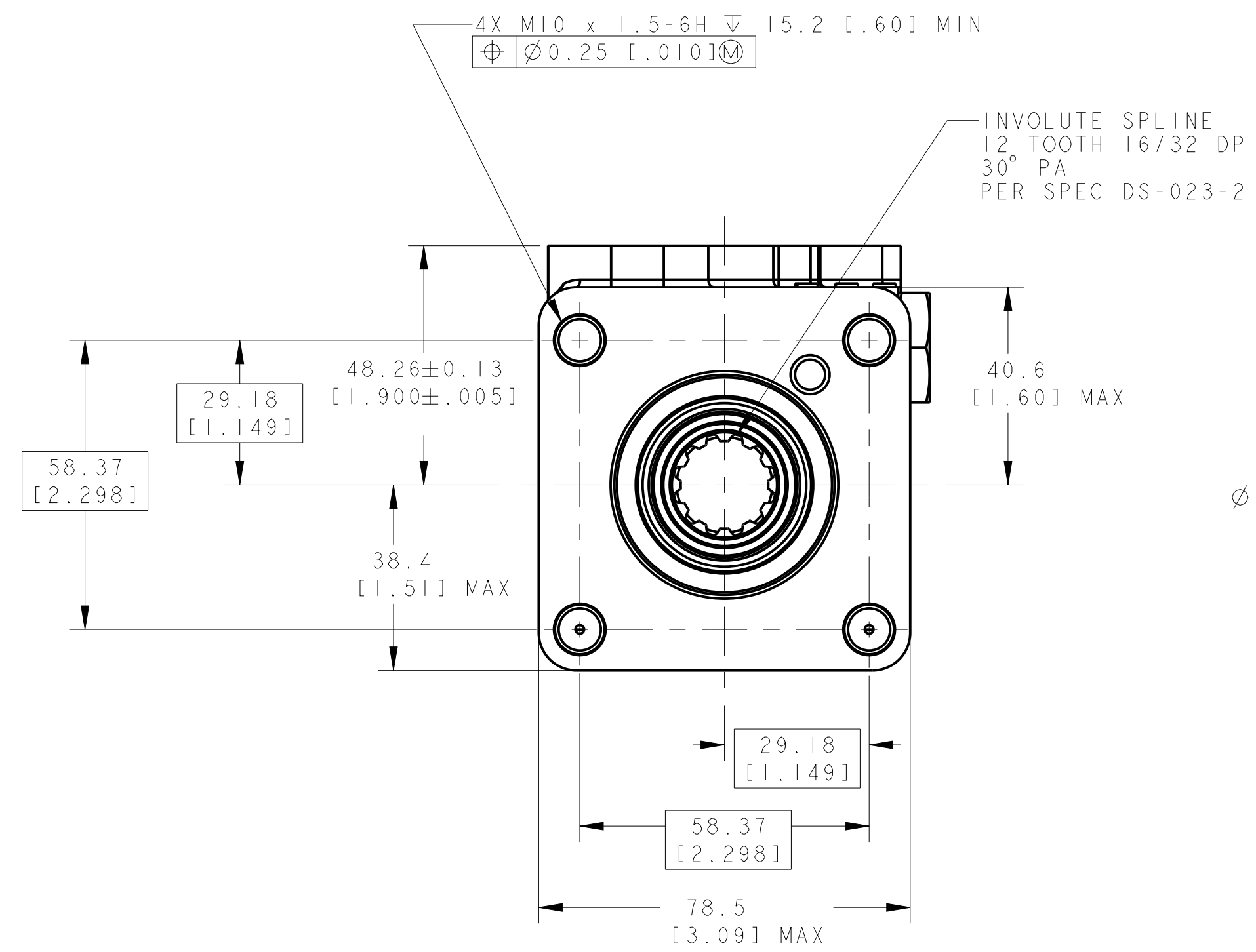
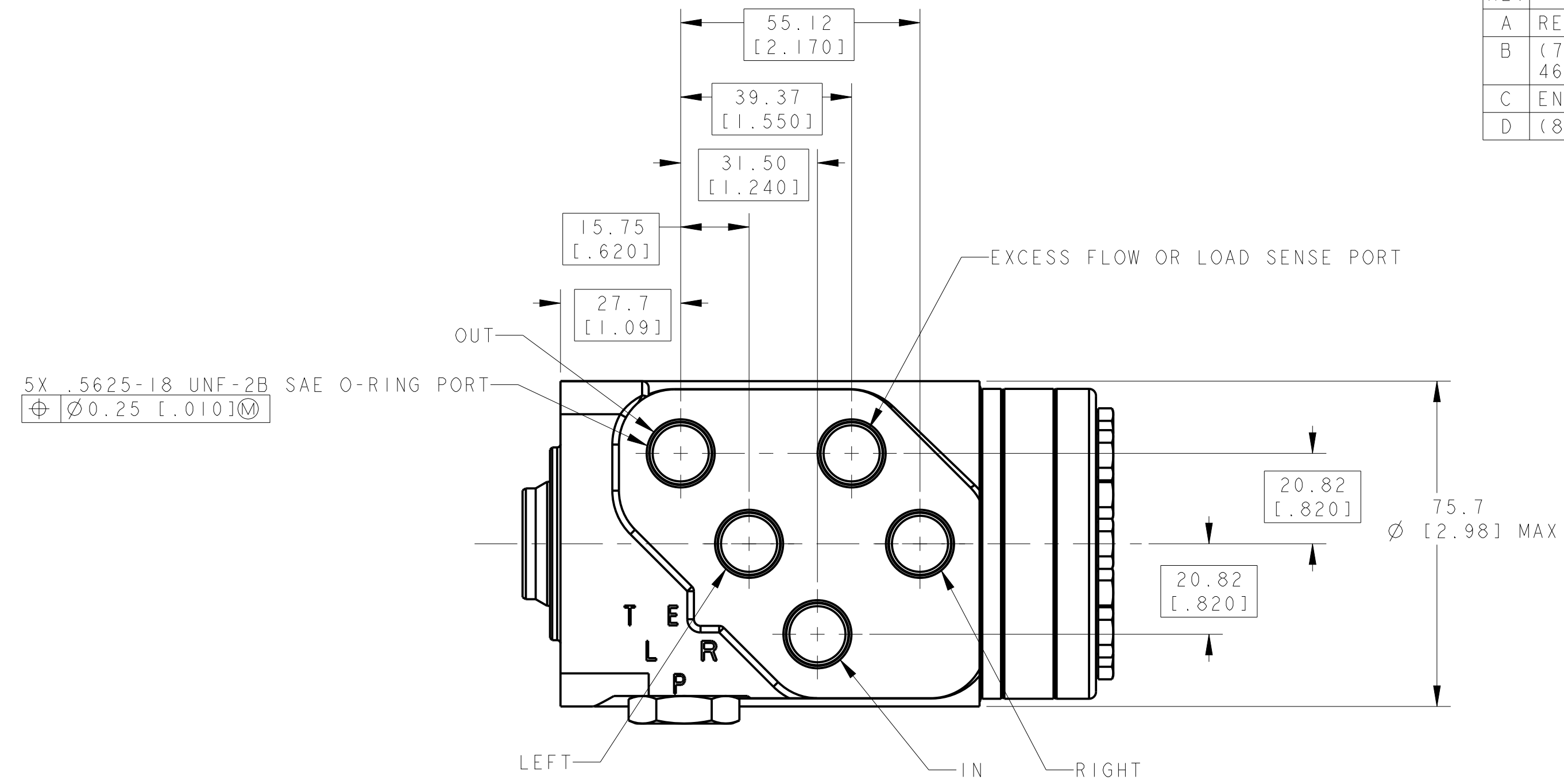


DISPLACEMENT		A MAX
CODE	cm3/r [in3/r]	
35	31.5 [1.92]	123.4 [4.86]
37	39.5 [2.41]	125.2 [4.93]
39	50.8 [3.10]	124.2 [4.89]
41	63.1 [3.85]	126.2 [4.97]
43	73.8 [4.50]	128 [5.04]
46	100 [6.10]	132.3 [5.21]
48	120 [7.33]	135.4 [5.33]
50	146 [8.90]	139.7 [5.50]

REV	DESCRIPTION	BY	CHK	DATE	ECN / MPS
A	RELEASE FOR SAMPLES AND ESTIMATES	AH	AH	1-30-03	M26557D
B	(7B) 48.26±0.13 [1.900±.005] WAS 46.99±0.13 [1.850±.005]	LMD	LMD	12-18-03	46420
C	ENGINEERING RELEASE	LMD	LMD	3-3-04	47177
D	(8D) ADDED DISPLACEMENT CODE 50	LMD	LMD	8-18-05	M65158



M
DISTRIBUTION CODE(S)

UNLESS OTHERWISE SPECIFIED ALL DIMENSIONS ARE IN INCHES <input type="checkbox"/> MILLIMETERS (INCHES) <input checked="" type="checkbox"/>	DRAWING BASED ON ANSI Y14.5M-1982	
	THE REPRODUCTION, DISTRIBUTION, AND UTILIZATION OF THIS DOCUMENT, AS WELL AS THE COMMUNICATION OF ITS CONTENTS TO OTHERS WITHOUT EXPLICIT AUTHORIZATION IS PROHIBITED. OFFENDERS WILL BE HELD LIABLE FOR THE PAYMENT OF DAMAGES. ALL RIGHTS RESERVED IN THE EVENT OF THE GRANT OF A PATENT, UTILITY MODEL, OR DESIGN. (PER ISO 16016)	
	TOLERANCES .XX ± .XXX ± ≤ ±	
UNSPECIFIED RADIUS ARE: UNSPECIFIED DRAFT ANGLES ARE: D SIZE	DRAWN AH BY/DATE 4/4/03 CHECKED AH BY/DATE 4/4/03 ENGRG TAH BY/DATE 4/07/03 METALLURGY BY/DATE THIRD ANGLE PROJECTION DO NOT SCALE	MATERIAL/HEAT TREAT TITLE MINI SCU INSTALLATION NUMBER A-274-028 SCALE 1/1 SHEET 1 OF 1