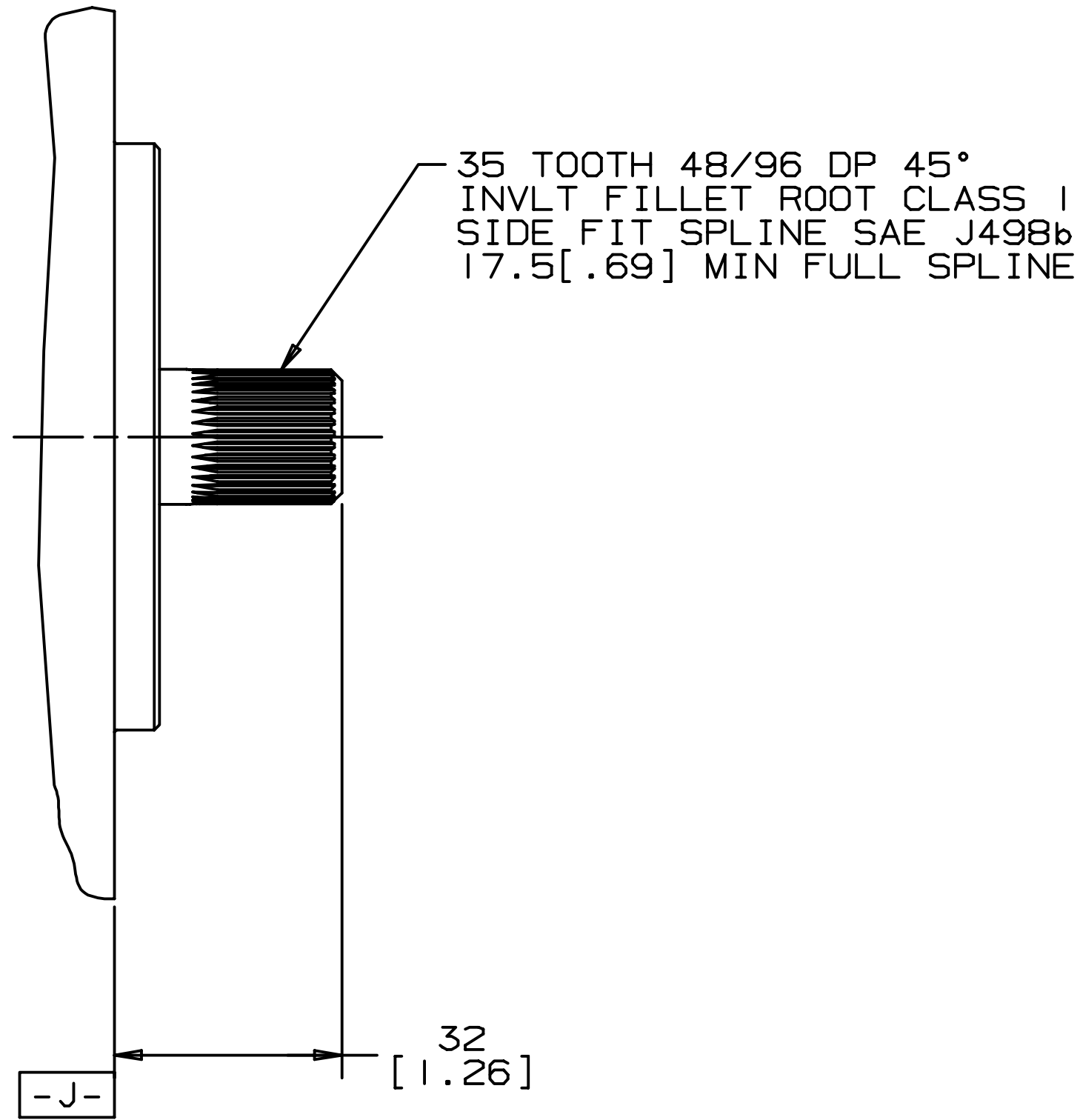

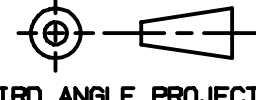


| SYM | REVISION | BY | DATE | ECN |
|-----|---------------------|-----|---------|-------|
| A | ENGINEERING RELEASE | MAS | 6/15/92 | 22403 |
| | | | | |



G HK

| | | | |
|--|--|-----------------------------|--|
| UNLESS OTHERWISE SPECIFIED ALL DIMENSIONS ARE IN INCHES <input type="checkbox"/> MILLIMETERS <input checked="" type="checkbox"/> | DRAWING BASED ON ANSI Y14.5M-1982 | | <p>THE REPRODUCTION, DISTRIBUTION, AND UTILIZATION OF THIS DOCUMENT, AS WELL AS THE COMMUNICATION OF ITS CONTENTS TO OTHERS WITHOUT EXPLICIT AUTHORIZATION IS PROHIBITED. OFFENDERS WILL BE HELD LIABLE FOR THE PAYMENT OF DAMAGES. ALL RIGHTS RESERVED IN THE EVENT OF THE GRANT OF A PATENT, UTILITY MODEL, OR DESIGN. (PER ISO 16016)</p>  |
| | <p>THE REPRODUCTION, DISTRIBUTION, AND UTILIZATION OF THIS DOCUMENT, AS WELL AS THE COMMUNICATION OF ITS CONTENTS TO OTHERS WITHOUT EXPLICIT AUTHORIZATION IS PROHIBITED. OFFENDERS WILL BE HELD LIABLE FOR THE PAYMENT OF DAMAGES. ALL RIGHTS RESERVED IN THE EVENT OF THE GRANT OF A PATENT, UTILITY MODEL, OR DESIGN. (PER ISO 16016)</p> | | |
| TOLERANCES .x ± .xx ± REF .xxx ± ONLY < ± | <p>DRAWN BY/DATE M. A. STOICK 7/9/92</p> <p>CHECKED BY/DATE</p> | MATERIAL/HEAT TREAT | |
| UNSPECIFIED RADII ARE | <p>ENGRG BY/DATE</p> <p>METALLURGY BY/DATE</p> | TITLE SHAFT INSTALLATION | |
| UNSPECIFIED DRAFT ANGLES ARE |  THIRD ANGLE PROJECTION | NUMBER A-349-058 | |
| DRAWING FORMAT CADD <input checked="" type="checkbox"/> MANUAL <input type="checkbox"/> | DO NOT SCALE | SCALE 1/1 | SHEET 1 OF 1 |