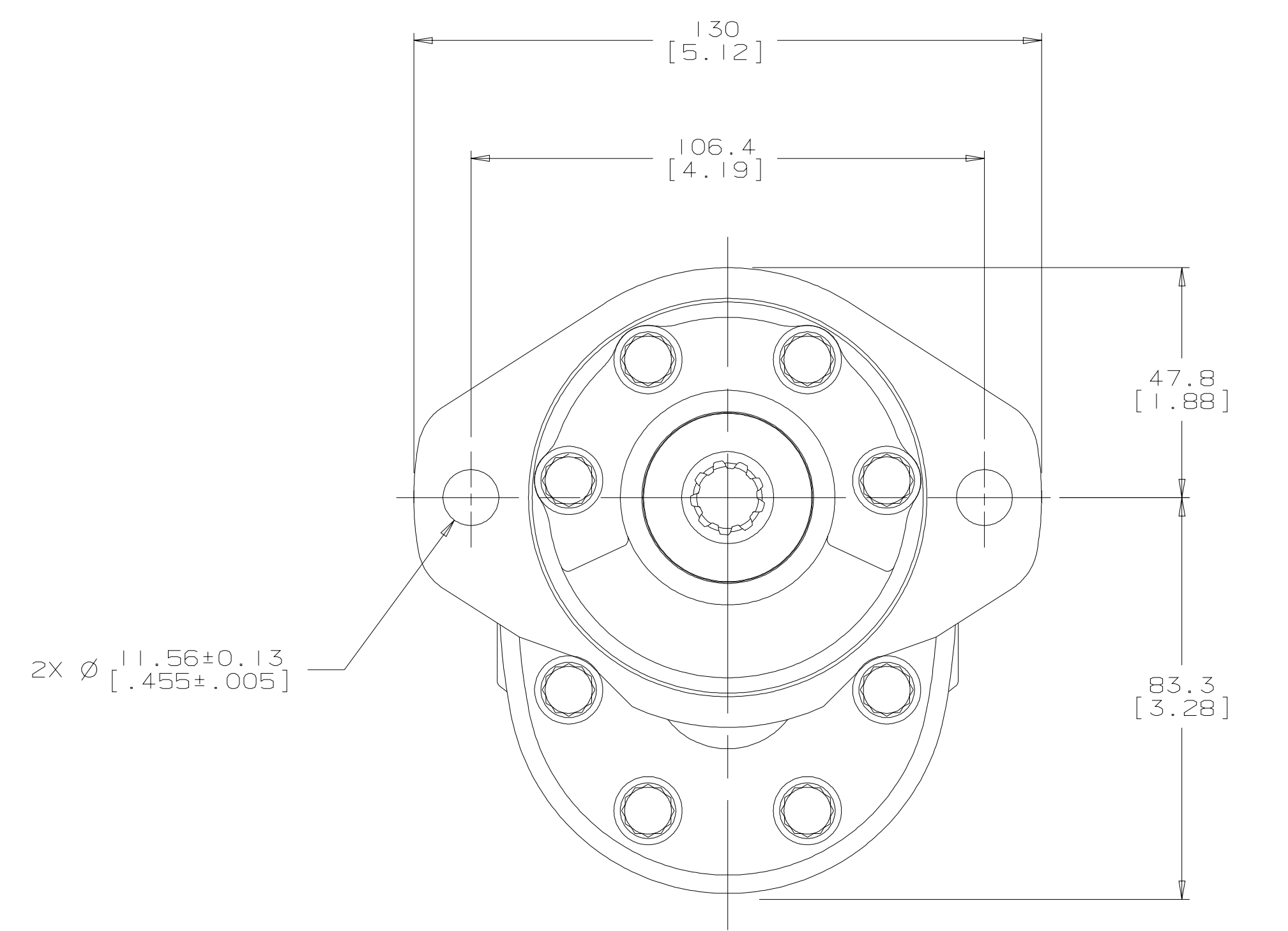
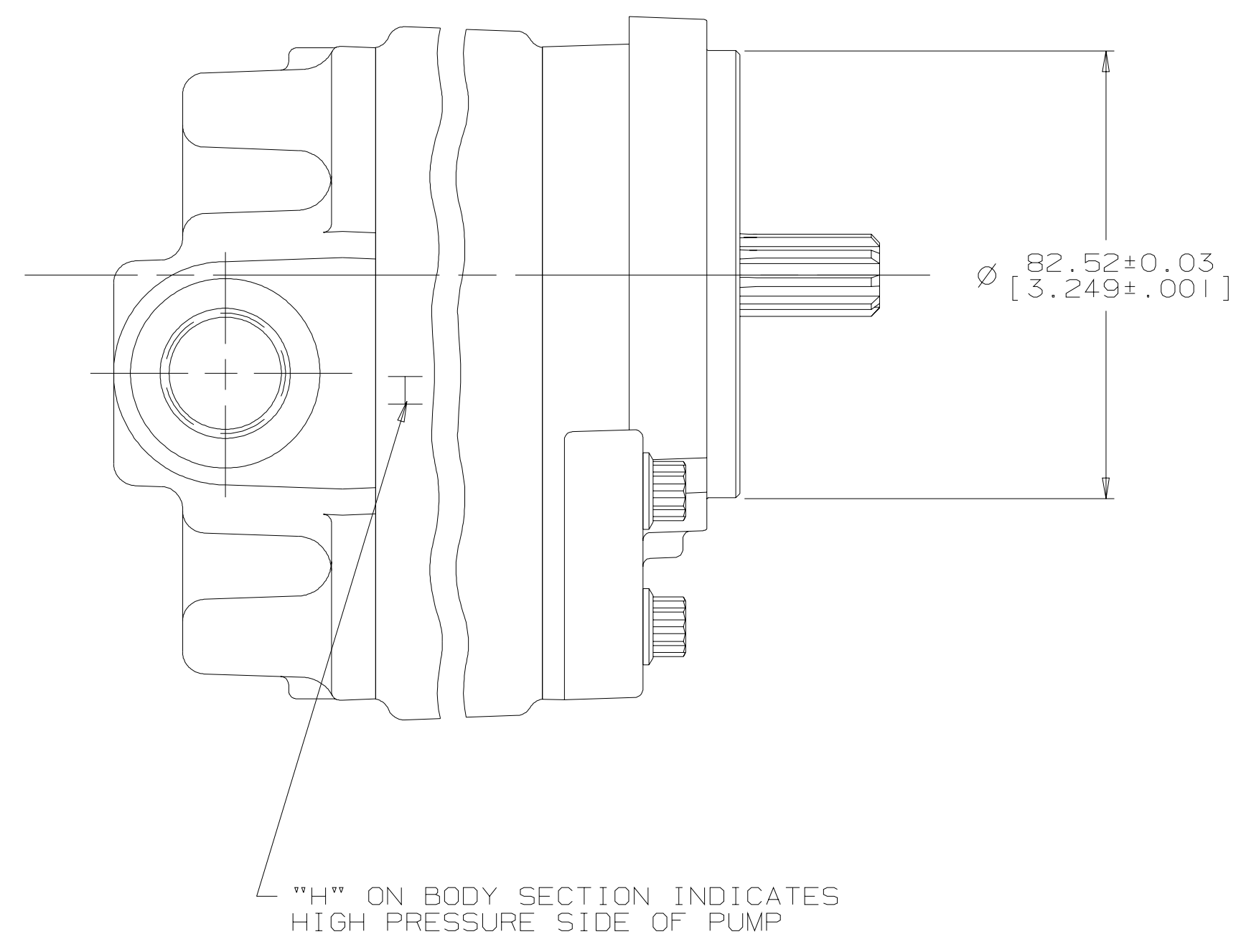
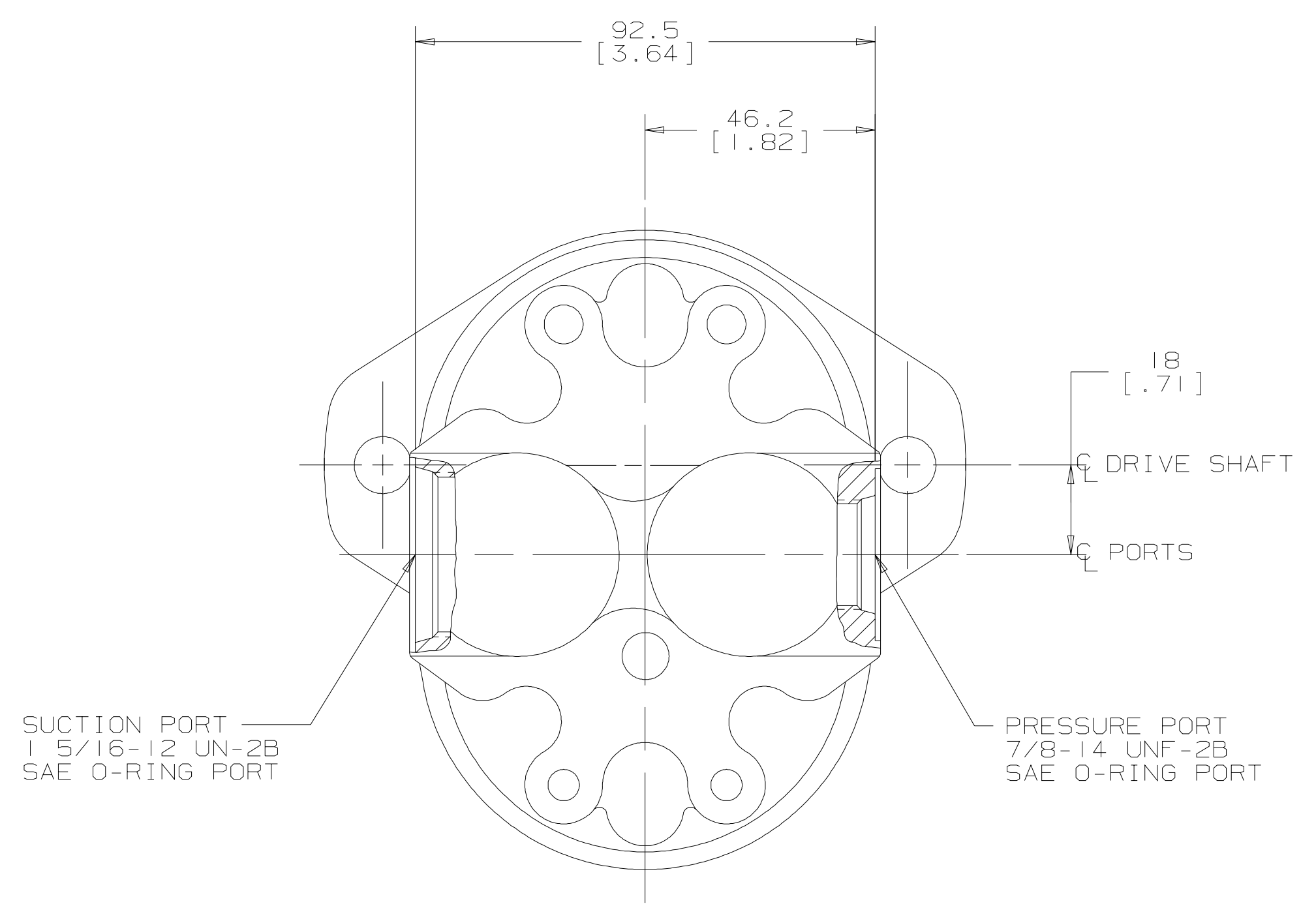
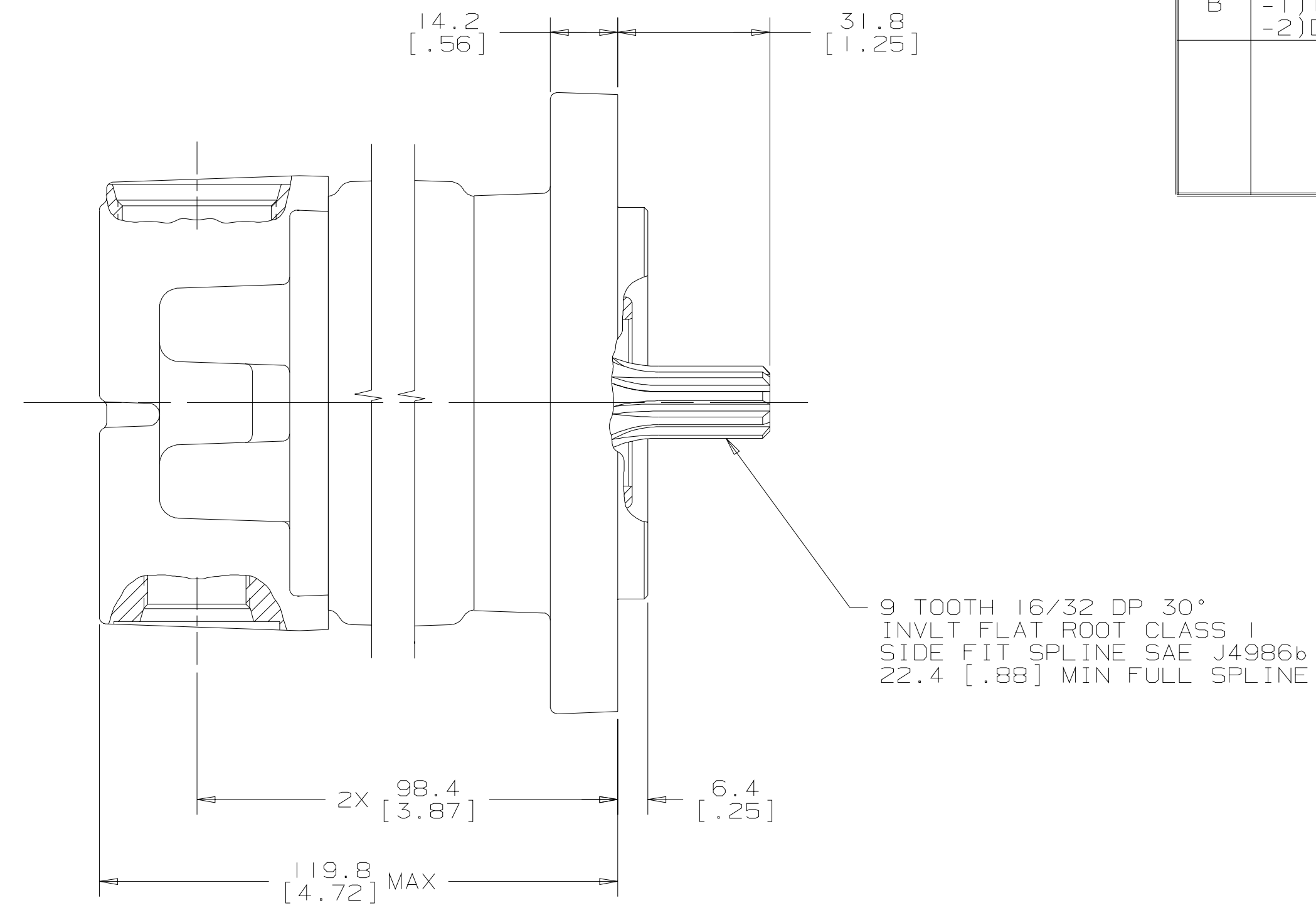


REV	DESCRIPTION	BY	CHK	DATE	ECN
A	ENGINEERING RELEASE	LMD	MLL	3-18-98	M19336
B	-1)(5A)ADDED NOTE "H" ON BODY SECTION... -2)DELETED BOLT MARKINGS -3)UPDATED BACKPLATE	WSM	WSM	11/27/98	31483



UNLESS OTHERWISE SPECIFIED ALL DIMENSIONS ARE IN		DRAWING BASED ON ANSI Y14.5M-1982	
INCHES <input type="checkbox"/>	MILLIMETERS <input checked="" type="checkbox"/>	THE REPRODUCTION, DISTRIBUTION, AND UTILIZATION OF THIS DOCUMENT, AS WELL AS THE COMMUNICATION OF ITS CONTENTS TO OTHERS WITHOUT EXPLICIT AUTHORIZATION IS PROHIBITED. OFFENDERS WILL BE HELD LIABLE FOR THE PAYMENT OF DAMAGES. ALL RIGHTS RESERVED IN THE EVENT OF THE GRANT OF A PATENT, UTILITY MODEL, OR DESIGN. (PER ISO 16016)	
TOLERANCES			
.x	----	DRWN BY/DATE LMD 4-2-98	MATERIAL/HEAT TREAT
.xx	+REF	CHEKED BY/DATE MLL 4-2-98	
.xxx	+ONLY	ENGR BY/DATE JLY 4-2-98	TITLE
<	----	METALLURGY	GEAR PUMP INSTALLATION
UNSPECIFIED RADI ARE	----	THIRD ANGLE PROJECTION	NUMBER
UNSPECIFIED DRAFT ANGLES ARE	----	DO NOT SCALE	26012-LAN
DRAWING FORMAT CAD <input checked="" type="checkbox"/> MANUAL <input type="checkbox"/>		ARTHEMATICAL AVERAGE	SCALE 1/1 SHEET 1 OF 1