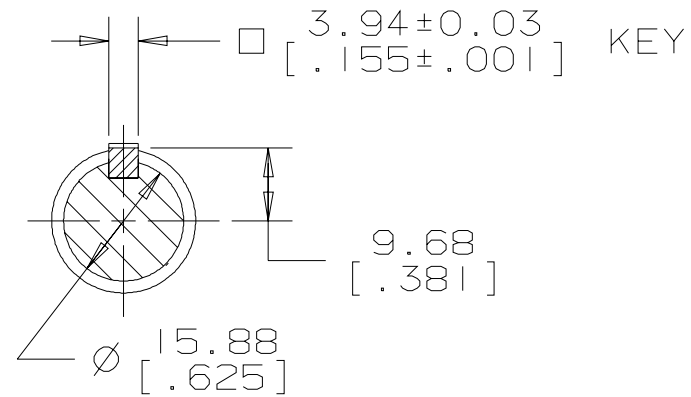
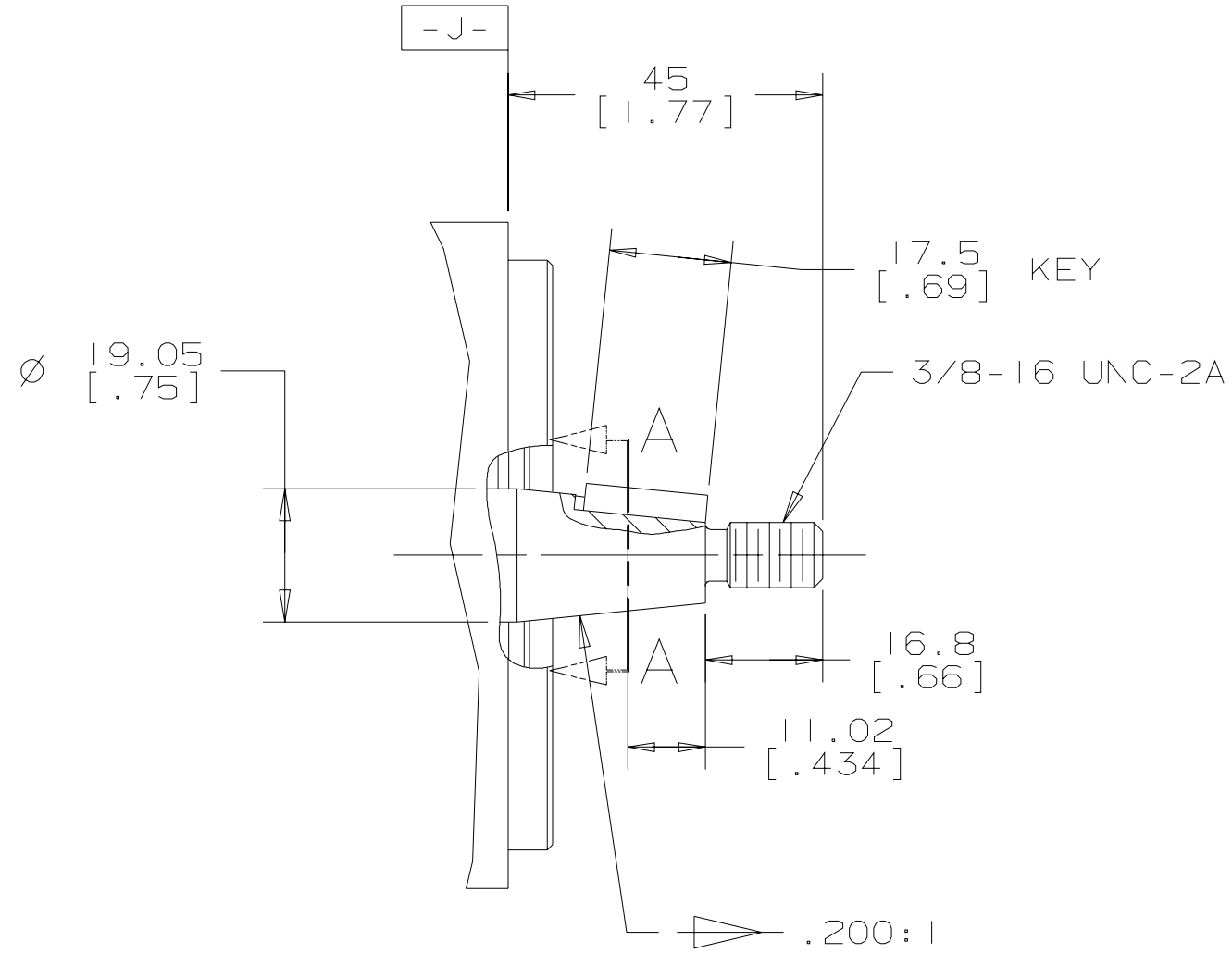


REV	DESCRIPTION	BY	CHK	DATE	ECN
A	ENGINEERING RELEASE	RLM	CMJ	4-8-92	21480
B	REVISED	CEW	CEW	5-19-03	M30938



SECTION A - A

G H

UNLESS OTHERWISE SPECIFIED ALL DIMENSIONS ARE IN INCHES <input type="checkbox"/> MILLIMETERS <input checked="" type="checkbox"/> [INCHES]	DRAWING BASED ON ANSI Y14.5M-1982	
	THE REPRODUCTION, DISTRIBUTION, AND UTILIZATION OF THIS DOCUMENT, AS WELL AS THE COMMUNICATION OF ITS CONTENTS TO OTHERS WITHOUT EXPLICIT AUTHORIZATION IS PROHIBITED. OFFENDERS WILL BE HELD LIABLE FOR THE PAYMENT OF DAMAGES. ALL RIGHTS RESERVED IN THE EVENT OF THE GRANT OF A PATENT, UTILITY MODEL, OR DESIGN. (PER ISO 16016)	
TOLERANCES .x ±----- .xx ±REF .xxx ±ONLY < ±-----	DRAWN BY/DATE RLM 11/6/91 CHECKED BY/DATE CMJ 4-29-92 ENGRG BY/DATE JCW 6-29-92 METALLURGY ----- BY/DATE	MATERIAL/HEAT TREAT TITLE INPUT SHAFT INSTALLATION
UNSPECIFIED RADII ARE -----	MICROINCHES <input type="checkbox"/> MICROMETERS <input type="checkbox"/> [MICROINCHES]	NUMBER A-349-014
UNSPECIFIED DRAFT ANGLES ARE -----	THIRD ANGLE PROJECTION DO NOT SCALE	ARITHMETICAL AVERAGE <input checked="" type="checkbox"/> SCALE 1/1 SHEET 1 OF 1
DRAWING FORMAT CADD <input checked="" type="checkbox"/> MANUAL <input type="checkbox"/>		

