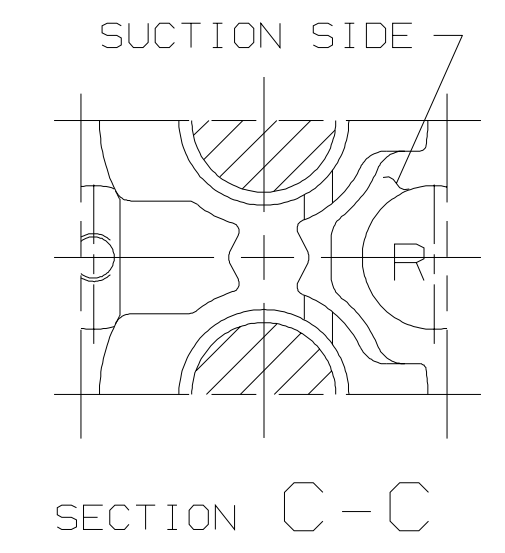
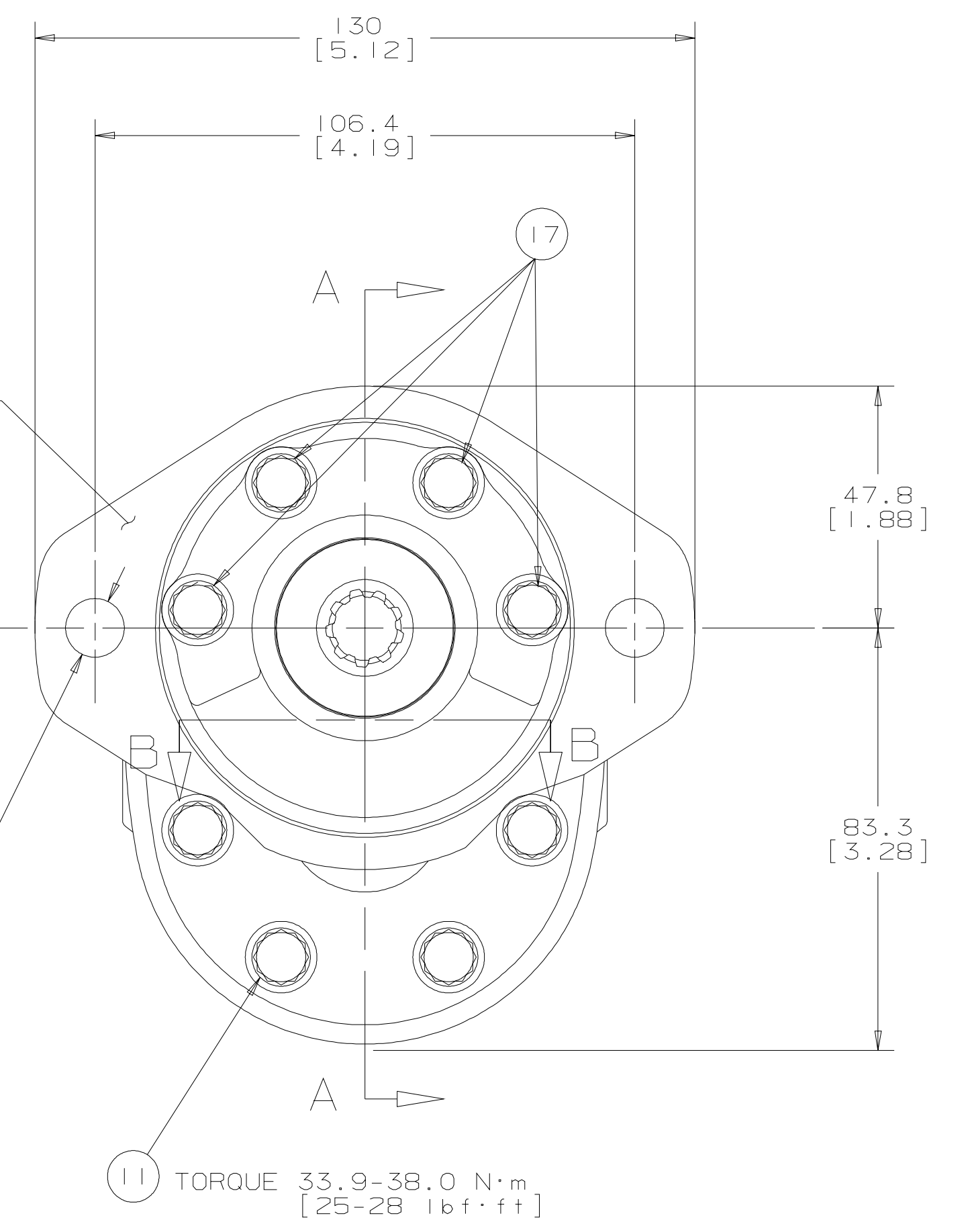
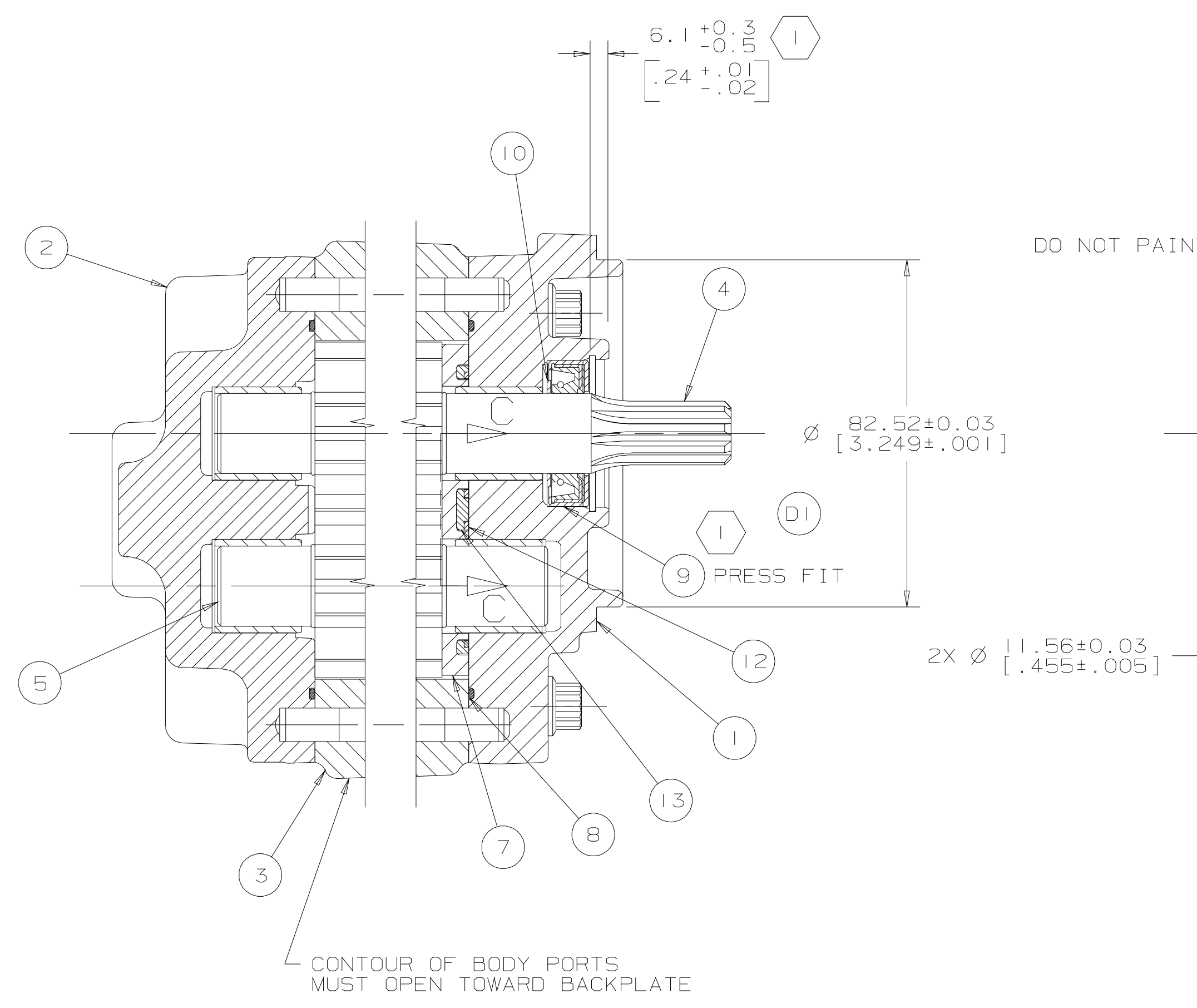
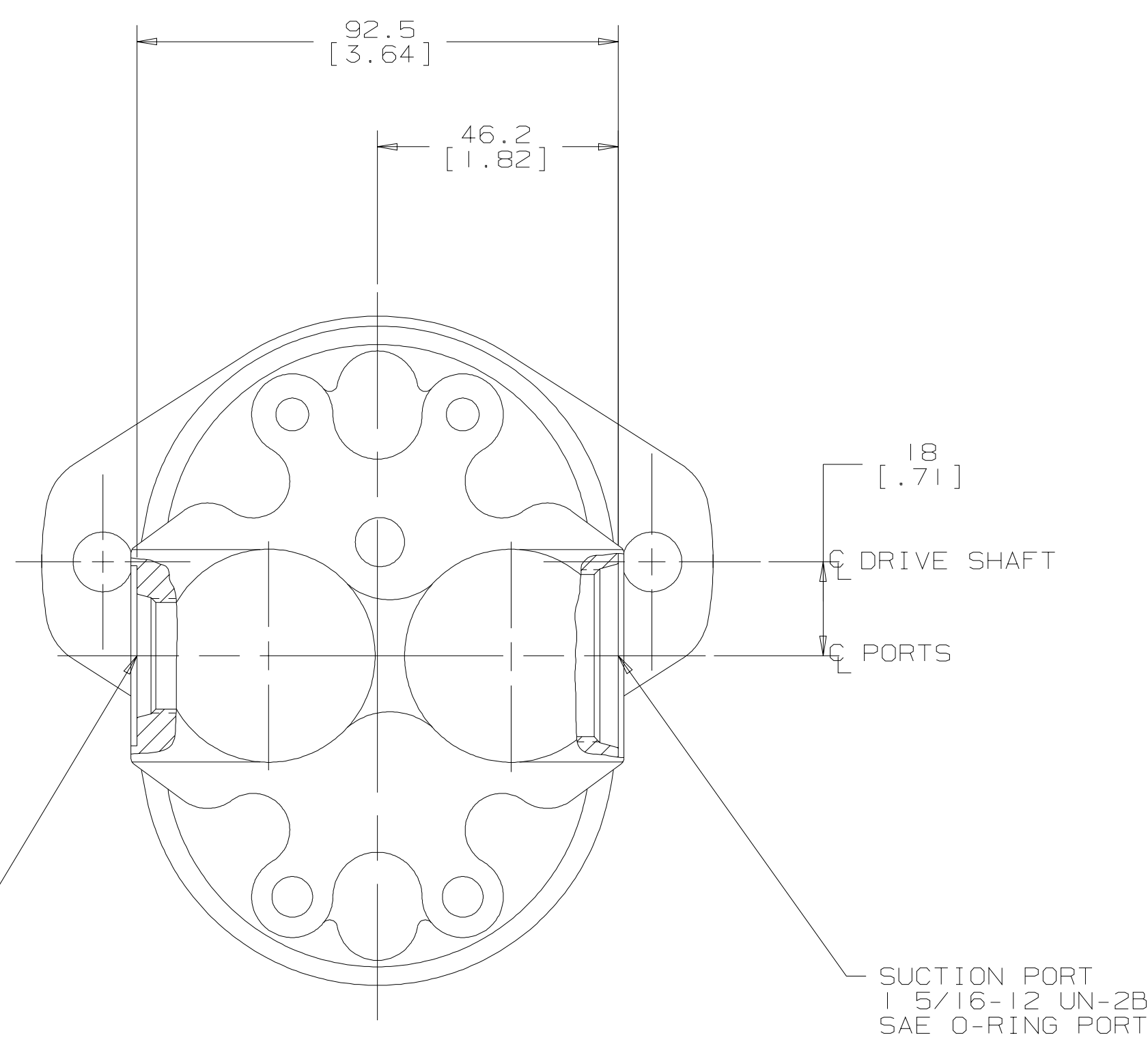
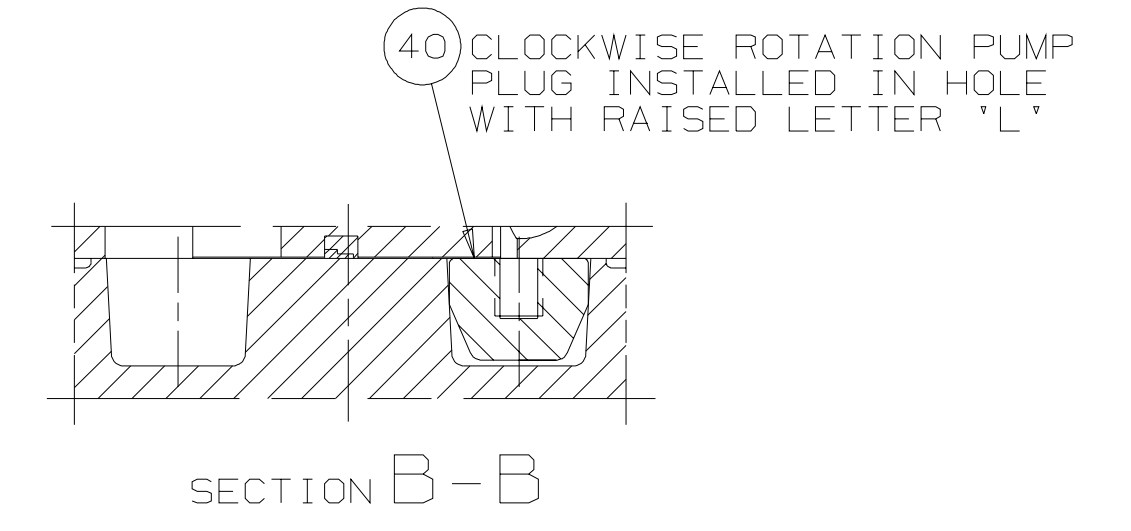
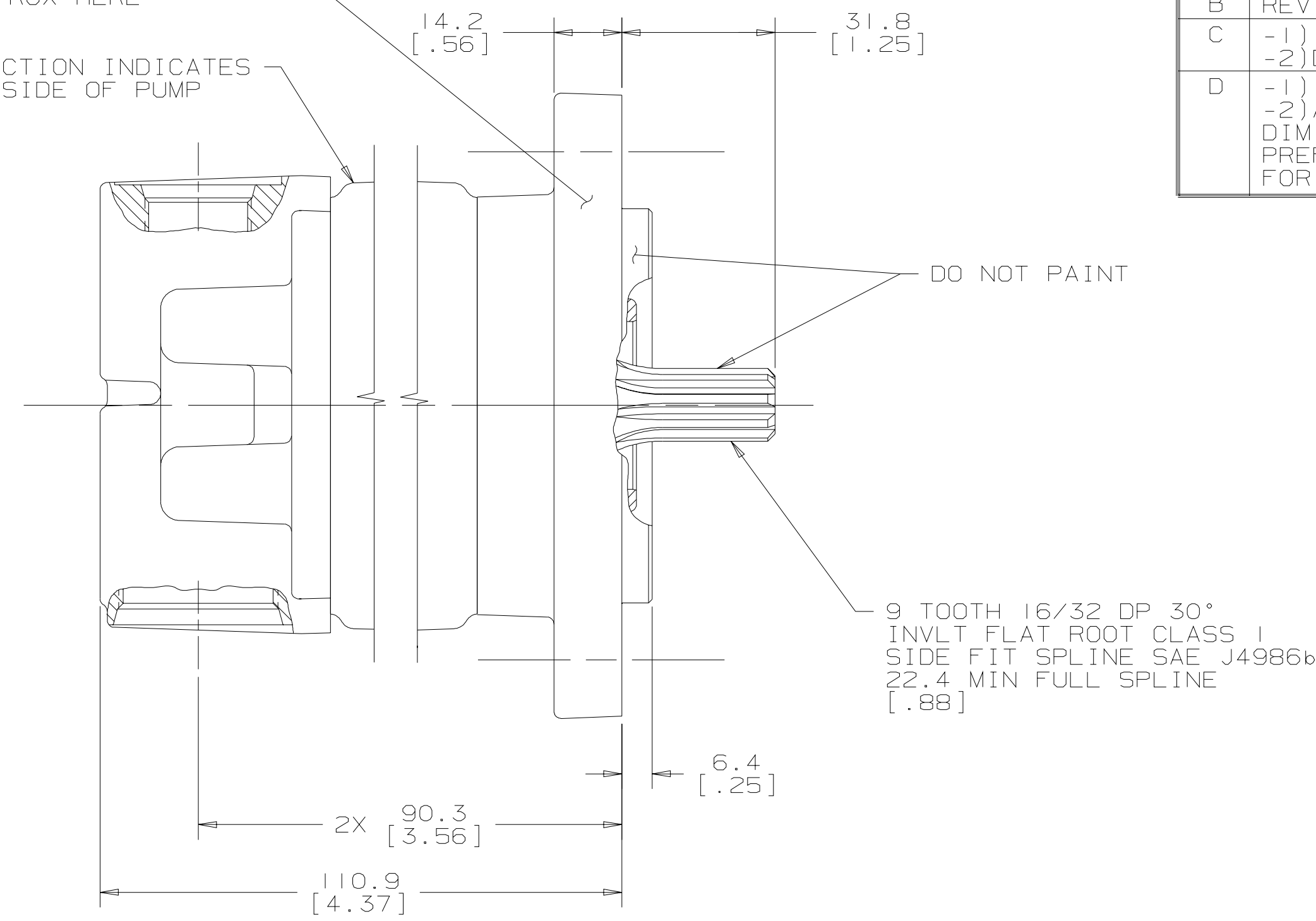


REV	DESCRIPTION	BY	CHK	DATE	ECN
A	ENGINEERING RELEASE	JLY	GCB	8-18-95	MI 3910
B	REVISED	JMS	DMK	11-8-95	27398
C	-1)(6D)ADDED NOTE "H" ON BODY SECTION... -2)DELETED BOLT MARKINGS -3)UPDATED BACKPLATE	WSM	WSM	11/27/98	31483
D	-1)(4B)DELETED ITEM 25 RETAINING RING... -2)ADDED NOTE 1 AND ADDED HEX FLAG TO ITEM 9... DIM 6.1 +0.3/-0.5 AND NOTE -3)(1A)REMOVED "C" PREFIX TO THE DRAWING NUMBER -4)ADDED REVIEWED FOR CLASSIFICATION PER ESP-042	SKK	MKW	01-20-05	50249

MARK SERIAL CODE AND ASSY NO WITH CHANGE LETTER APPROX HERE

"H" ON BODY SECTION INDICATES HIGH PRESSURE SIDE OF PUMP



SECTION A-A

SECTION C-C

NOTE (D2) (I) PRESS ITEM 9 SEAL TO DIMENSION SHOWN

REVIEWED FOR CLASSIFICATION PER ESP-042

UNLESS OTHERWISE SPECIFIED ALL DIMENSIONS ARE IN: INCHES  MILLIMETERS

TOLERANCES: .x +---, .xx +REF, .xxx +ONLY, <---

UNSPECIFIED RADI ARE: ---, UNSPECIFIED DRAFT ANGLES ARE: ---, DRAWING FORMAT: CAD  MANUAL

THIRD ANGLE PROJECTION, DO NOT SCALE

ARTHEMETICAL AVERAGE

DRAWING BASED ON ANSI Y14.5M-1982

THE REPRODUCTION, DISTRIBUTION, AND UTILIZATION OF THIS DOCUMENT, AS WELL AS THE COMMUNICATION OF ITS CONTENTS TO OTHERS WITHOUT EXPLICIT AUTHORIZATION IS PROHIBITED. OFFENDERS WILL BE HELD LIABLE FOR THE PAYMENT OF DAMAGES. ALL RIGHTS RESERVED IN THE EVENT OF THE GRANT OF A PATENT, UTILITY MODEL, OR DESIGN. (PER ISO 16016)

Drawn: J L YOH, BY/DATE: 9-14-95, MATERIAL/HEAT TREAT: ---

Checked: GCB, BY/DATE: 9-18-95

ENGR: RJA, BY/DATE: 9-19-95, TITLE: GEAR PUMP ASSY/INSTALLATION

METALLURGY: ---

Microinches (Microinches): ---, Number: 26008-RAA

Scale: 1/1, Sheet: 1 of 1

**Danfoss**