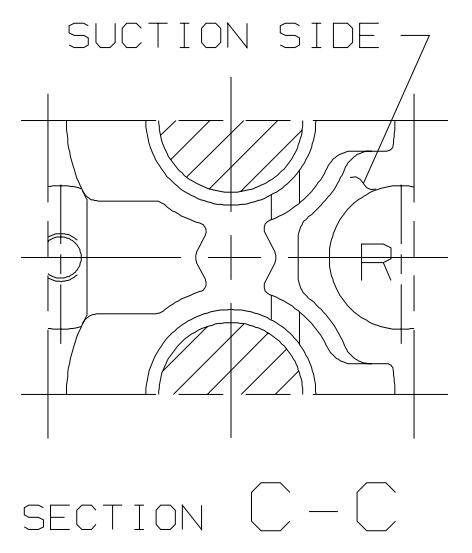
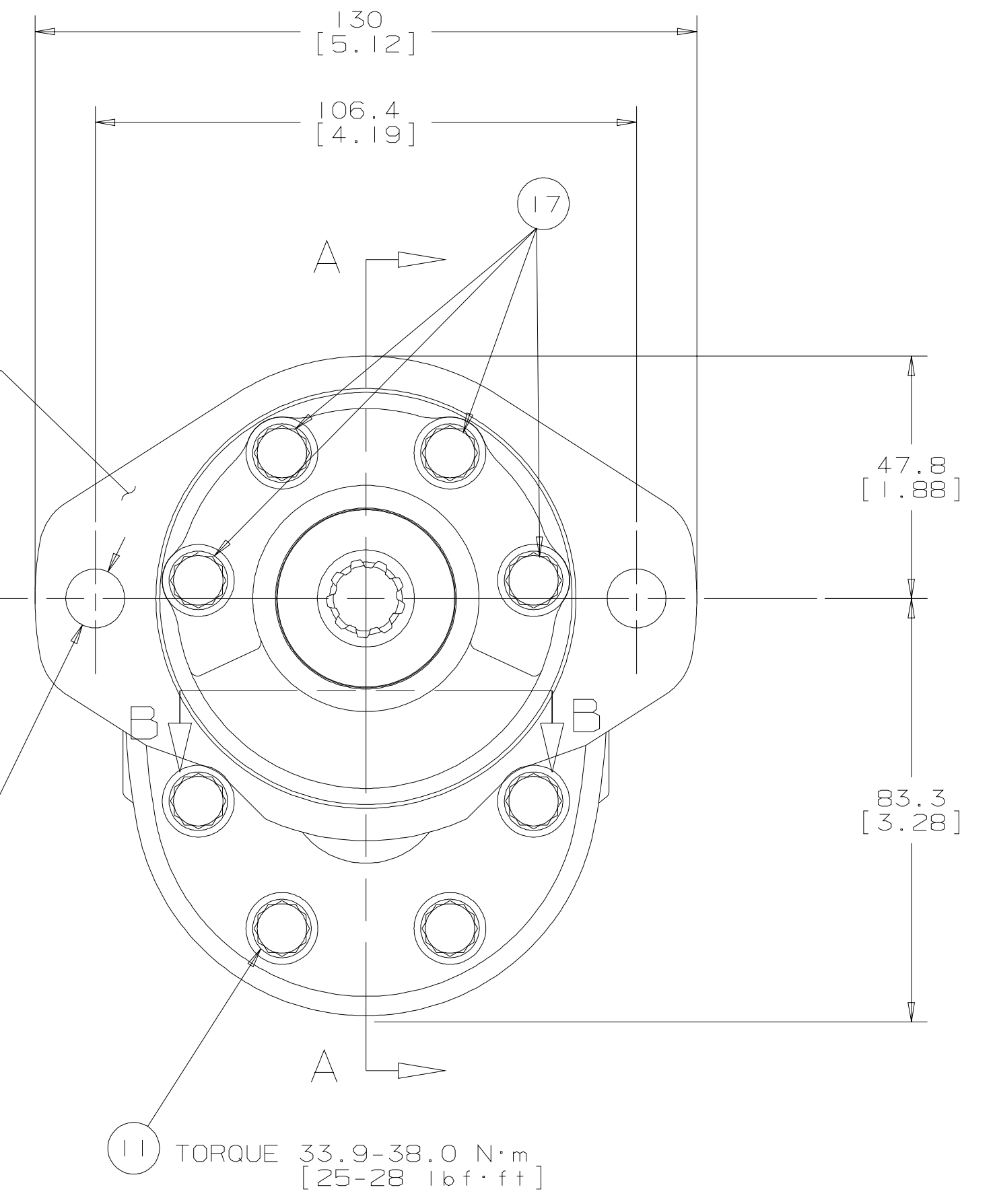
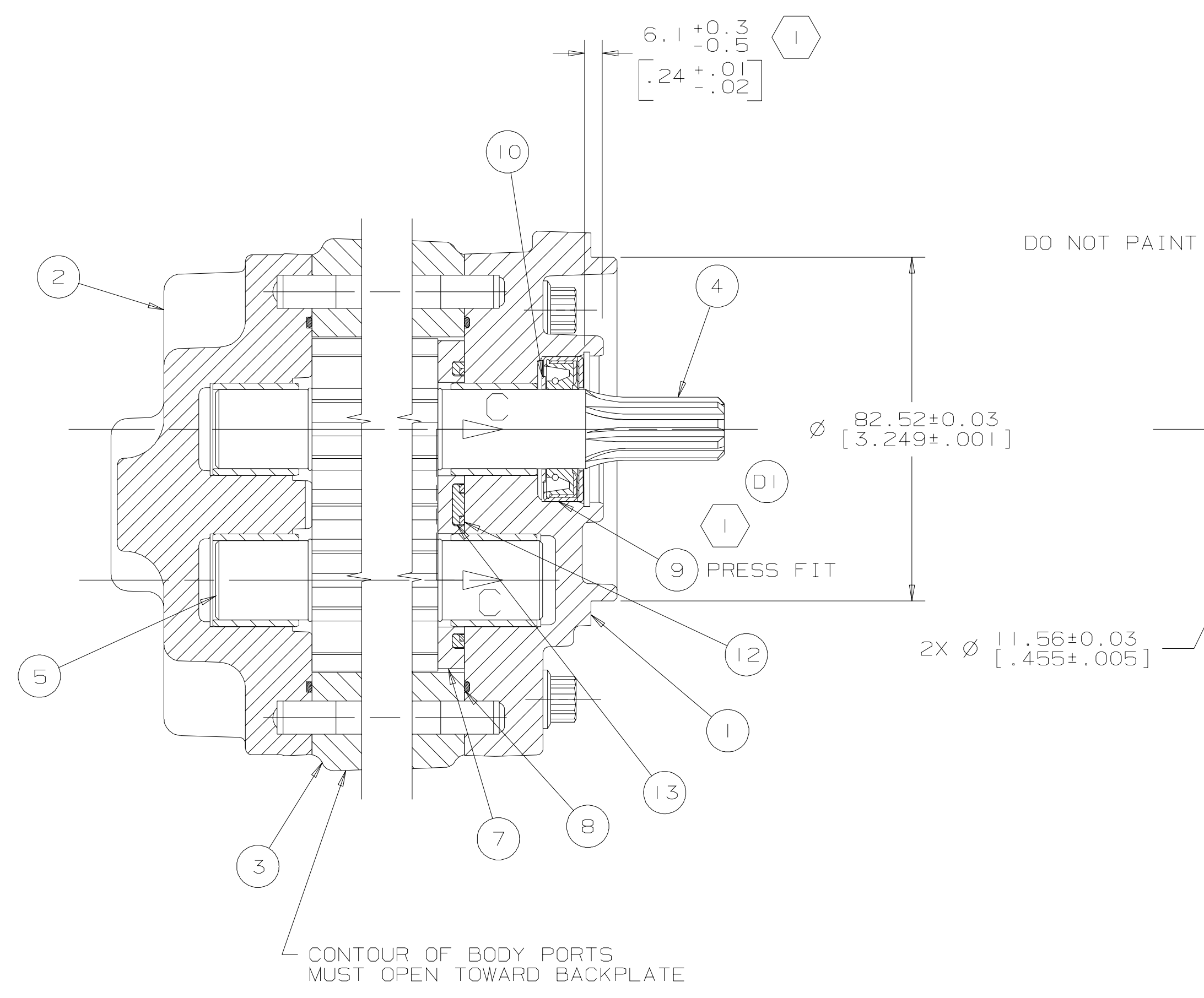
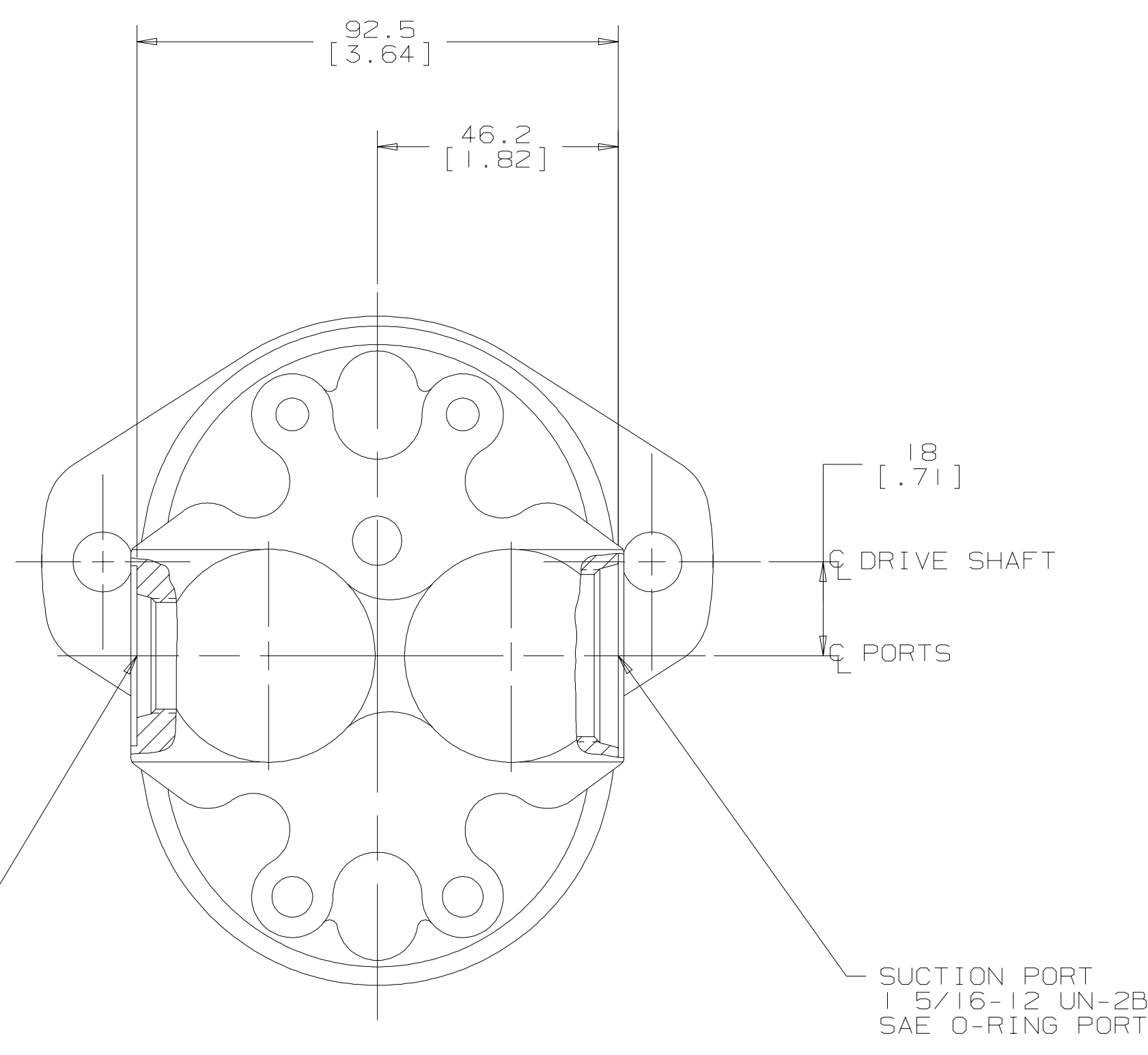
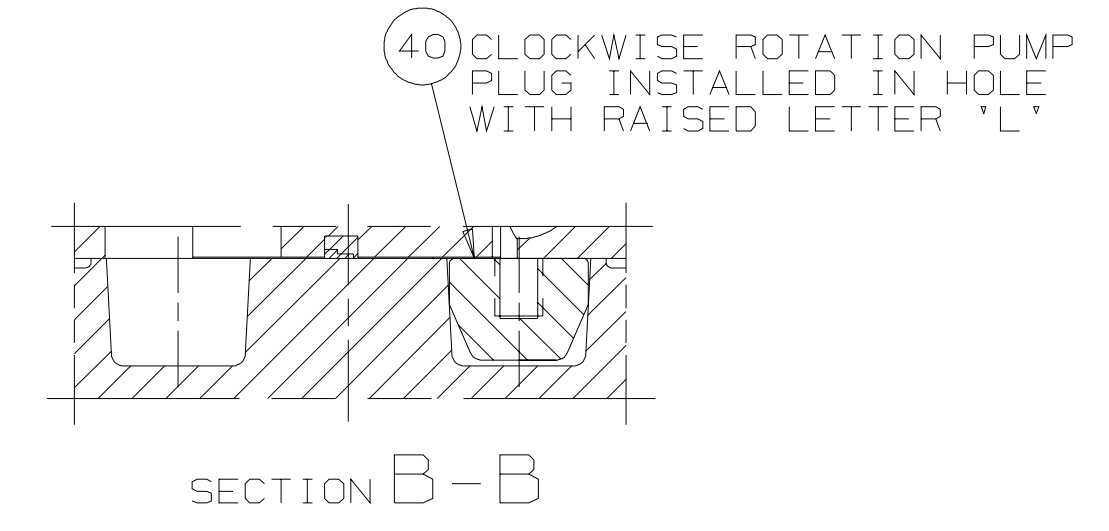
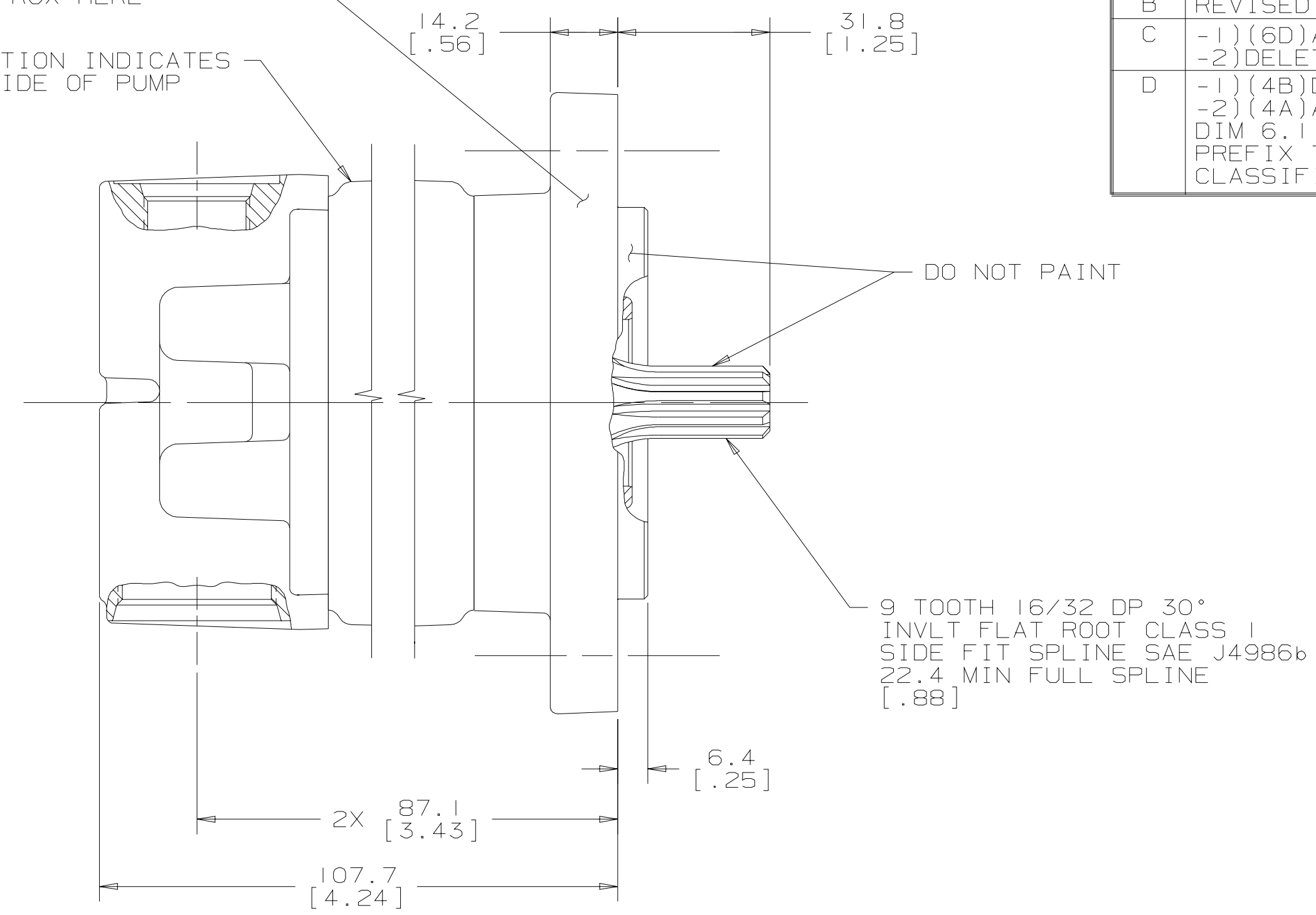


REV	DESCRIPTION	BY	CHK	DATE	ECN
A	ENGINEERING RELEASE	JLY	GCB	8-18-95	MI 3910
B	REVISED	JMS	DMK	11-8-95	27398
C	-1)(6D)ADDED NOTE "H" ON BODY SECTION... -2)DELETED BOLT MARKINGS -3)UPDATED BACKPLATE	WSM	WSM	11/27/98	31483
D	-1)(4B)DELETED ITEM 25 REATINING RING -2)(4A)ADDED NOTE 1 AND ADDED HEX FLAG TO ITEM 9. DIM 6.1 +0.3/-0.5 AND NOTE -3)(1A)REMOVED "C" PREFIX TO THE DRAWING NUMBER -4)ADDED REVIEWED FOR CLASSIFICATION PER ESP-042	SKK	MKW	01-20-05	50249

MARK SERIAL CODE AND ASSY NO WITH CHANGE LETTER APPROX HERE

"H" ON BODY SECTION INDICATES HIGH PRESSURE SIDE OF PUMP



SECTION A-A

DRAWING BASED ON ANSI Y14.5M-1982

UNLESS OTHERWISE SPECIFIED ALL DIMENSIONS ARE IN INCHES <input type="checkbox"/> MILLIMETERS <input checked="" type="checkbox"/>	THE REPRODUCTION, DISTRIBUTION, AND UTILIZATION OF THIS DOCUMENT, AS WELL AS THE COMMUNICATION OF ITS CONTENTS TO OTHERS WITHOUT EXPLICIT AUTHORIZATION IS PROHIBITED. OFFENDERS WILL BE HELD LIABLE FOR THE PAYMENT OF DAMAGES. ALL RIGHTS RESERVED IN THE EVENT OF THE GRANT OF A PATENT, UTILITY MODEL, OR DESIGN. (PER ISO 16016)		
TOLERANCES .x +--- .xx +REF .xxx +ONLY ∠ +---	DRWN J L YCH BY/DATE 9-14-95	MATERIAL/HEAT TREAT	
UNSPECIFIED RADII ARE	CHECKED GCB 9-18-95 BY/DATE	ENGRD RJA 9-19-95 BY/DATE	TITLE GEAR PUMP ASSY/INSTALLATION
UNSPECIFIED DRAFT ANGLES ARE	THIRD ANGLE PROJECTION	MICROINCHES <input type="checkbox"/> MICROMETERS <input type="checkbox"/> DRAFT ANGLES ARE	NUMBER 26007-RAA
DRAWING FORMAT CADD <input checked="" type="checkbox"/> MANUAL <input type="checkbox"/>	DO NOT SCALE	ARITHMETICAL AVERAGE	SCALE 1/1 SHEET 1 OF 1

NOTE  
(D2) (1) PRESS ITEM 9 SEAL TO DIMENSION SHOWN

REVIEWED FOR CLASSIFICATION PER ESP-042 G H