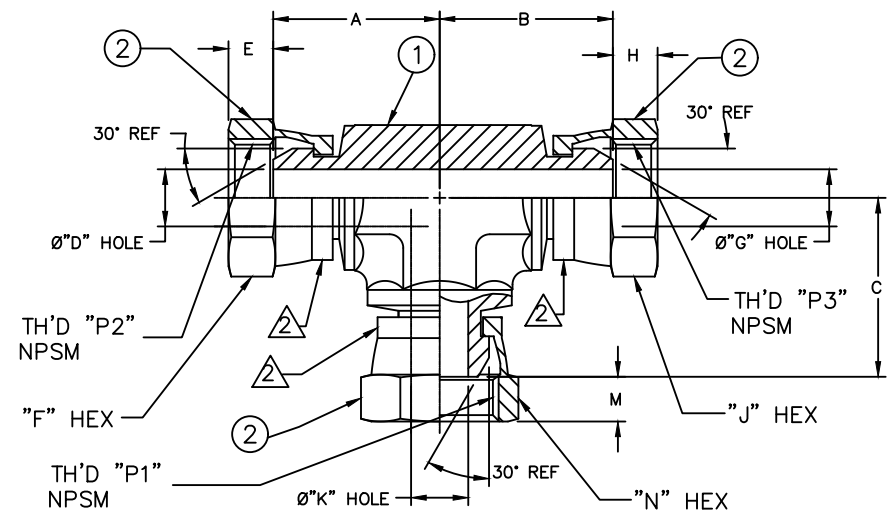


WEATHERHEAD PART NUMBER	AEROQUIP PART NUMBER	TH'D "P1"	TH'D "P2"	TH'D "P3"	A REF	B REF	C REF	D REF	E REF	F REF	G REF	H REF	J REF	K REF	M REF	N REF
9705X2X2X2	2255-2-2S	1/8-27	1/8-27	1/8-27	18 [.71]	18 [.71]	18 [.71]	2.8 [.11]	4.8 [.19]	9/16	2.8 [.11]	4.8 [.19]	9/16	2.8 [.11]	4.8 [.19]	9/16
9705X4X4X4	2255-4-4S	1/4-18	1/4-18	1/4-18	23.1 [.91]	23.1 [.91]	23.1 [.91]	5.6 [.22]	6.4 [.25]	11/16	5.6 [.22]	6.4 [.25]	11/16	5.6 [.22]	6.4 [.25]	11/16
9705X8X8X8	2255-8-8S	1/2-14	1/2-14	1/2-14	27.4 [1.08]	27.4 [1.08]	27.4 [1.08]	11.7 [.46]	8.4 [.33]	1	11.7 [.46]	8.4 [.33]	1	11.7 [.46]	8.4 [.33]	1
9705X12X12X12	2255-12-12S	3/4-14	3/4-14	3/4-14	34.5 [1.36]	34.5 [1.36]	34.5 [1.36]	16.3 [.64]	7.6 [.30]	1 1/4	16.3 [.64]	7.6 [.30]	1 1/4	16.3 [.64]	7.6 [.30]	1 1/4
9705X16X16X16	2255-16-16S	1-11 1/2	1-11 1/2	1-11 1/2	38.9 [1.53]	38.9 [1.53]	38.9 [1.53]	20.1 [.79]	9.7 [.38]	1 1/2	20.1 [.79]	9.7 [.38]	1 1/2	20.1 [.79]	9.7 [.38]	1 1/2
9705X20X20X20	2255-20-20S	1 1/4-11 1/2	1 1/4-11 1/2	1 1/4-11 1/2	42.2 [1.66]	42.2 [1.66]	42.2 [1.66]	25.7 [1.01]	10.4 [.41]	1 7/8	25.7 [1.01]	10.4 [.41]	1 7/8	25.7 [1.01]	10.4 [.41]	1 7/8

REVISIONS			
REV	DESCRIPTION	DATE	APPROVED
H	REDRAWN AND UPDATED TO LATEST DANFOSS FORMAT AND DIMENSION STYLE. 1) MOVED PART #2255-2-2S, #2255-6-6S AND #2255-16-16S TO SHT2. 2) ADDED "WEATHERHEAD PART NUMBERS".	2013-12-03 SBD/AGV	0091469-ECO
J	CREATED ALTERNATIVE LANGUAGE DRAWING. 1) ADDED ALTERNATIVE LANGUAGE TEXT BLOCK. 2) ADDED PART #2255-16-16S"	2019-12-19 RZH	CO-0197926
K	1) ADDED PART #2255-2-2S.	2019-12-30 TMH/PSW	CO-0198154
L	1) ADDED PART #2255-20-20S.	2020-01-06 CSG	CO-0198234



ALTERNATIVE LANGUAGE DRAWING
ALL SHEETS MUST BE IDENTICAL
AND WITH SAME REVISION LEVEL

METRIC

④	9705X20X20X20	2255-20-20S	FF2891-2020S	2045-3-20S	
③	9705X16X16X16	2255-16-16S	FF2891-1616S	2045-3-16S	
	9705X12X12X12	2255-12-12S	FF2891-1212S	2045-3-12S	
	9705X8X8X8	2255-8-8S	FF2891-0808S	2045-3-8S	
	9705X4X4X4	2255-4-4S	FF2891-0404S	2045-3-4S	
④	9705X2X2X2	2255-2-2S	FF2891-0202S	2045-3-2S	
	WEATHERHEAD PART NUMBER	AEROQUIP PART NUMBER	① ADAPTER BODY	② NUT (3 REQUIRED)	

LIST OF MATERIALS

ITEM NO.	MATERIAL	DRAWN S. DAVKHAR	CHECKED A. VARANKAR	APPROVED J. SNYDER	RELEASE DATE 2013-12-03	0091469-ECO	FLUID CONVEYANCE DIVISION		
1	STEEL						DRAWING TITLE ADAPTER TEE, FEMALE NPSM SWIVEL		
2	STEEL						SIZE A2	DRAWING NUMBER 2255-S	REV L
THIRD ANGLE PROJECTION		SCALE NONE	DIST U	CAGE CODE 01276	SHEET 1 OF 2				

△ CRIMP NUT PER ACES 2813.

1. DIMENSIONS ARE IN MILLIMETERS [INCHES].

THE REPRODUCTION, DISTRIBUTION AND UTILIZATION OF THIS DOCUMENT AS WELL AS THE COMMUNICATION OF ITS CONTENTS TO OTHERS WITHOUT EXPLICIT AUTHORIZATION IS PROHIBITED. OFFENDERS WILL BE HELD LIABLE FOR THE PAYMENT OF DAMAGES. ALL RIGHT RESERVED IN THE EVENT OF THE GRANT OF A PATENT, UTILITY MODEL OR DESIGN. (PER ISO 16016)