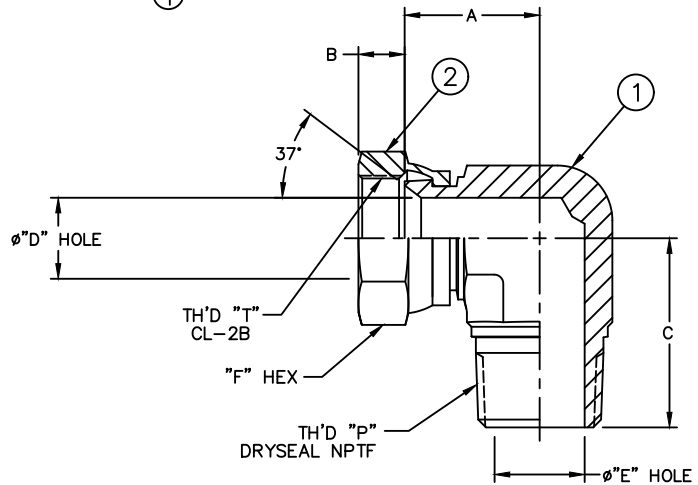


AEROQUIP PART NUMBER	WEATHERHEAD PART NUMBER	TH'D "P"	TH'D "T"	A REF	B REF	C REF	D REF	E REF	F REF
2250-2-4S	C5406X4	1/8-27	7/16-20	16.8 [.66]	9.4 [.37]	19.8 [.78]	4.3 [.17]	4.8 [.19]	14.2 [.56]
2250-2-5S	C5406X5	1/8-27	1/2-20	17.3 [.68]	10.2 [.40]	19.8 [.78]	5.8 [.23]	4.8 [.19]	15.7 [.62]
2250-4-4S	C5406X4X4	1/4-18	7/16-20	20.8 [.82]	9.4 [.37]	27.7 [1.09]	4.3 [.17]	7.1 [.28]	14.2 [.56]
2250-4-6S	C5406X6	1/4-18	9/16-18	22.4 [.88]	10.2 [.40]	27.7 [1.09]	7.6 [.30]	7.1 [.28]	17.5 [.69]
2250-6-6S	C5406X6X6	3/8-18	9/16-18	21.6 [.85]	10.2 [.40]	31 [1.22]	7.6 [.30]	10.4 [.41]	17.5 [.69]
2250-6-8S	C5406X8	3/8-18	3/4-16	24.4 [.96]	11.2 [.44]	31 [1.22]	9.9 [.39]	10.4 [.41]	22.4 [.88]
2250-8-8S	C5406X8X8	1/2-14	3/4-16	25.4 [1.00]	11.2 [.44]	37.3 [1.47]	9.9 [.39]	13.5 [.53]	22.4 [.88]
2250-8-10S	C5406X10	1/2-14	7/8-14	28.4 [1.12]	13.2 [.52]	37.3 [1.47]	12.2 [.48]	13.5 [.53]	25.4 [1.00]
2250-12-8S	C5406X8X12	3/4-14	3/4-16	29.7 [1.17]	11.2 [.44]	40.4 [1.59]	9.9 [.39]	18.3 [.72]	22.4 [.88]
2250-12-12S	C5406X12	3/4-14	1 1/16-12	30.2 [1.19]	14.5 [.57]	40.4 [1.59]	15.5 [.61]	18.3 [.72]	31.8 [1.25]
2250-12-14S	C5406X14	3/4-14	1 3/16-12	30.5 [1.20]	14.7 [.58]	42.9 [1.69]	18.3 [.72]	18.3 [.72]	35.1 [1.38]
2250-16-16S	C5406X16	1-11 1/2	1 5/16-12	35.8 [1.41]	15.2 [.60]	50 [1.97]	21.3 [.84]	23.9 [.94]	38.1 [1.50]
2250-20-20S	C5406X20	1 1/4-11 1/2	1 5/8-12	42.7 [1.68]	15.7 [.62]	60.5 [2.38]	27.4 [1.08]	31.8 [1.25]	50.8 [2.00]
2250-24-24S	C5406X24	1 1/2-11 1/2	1 7/8-12	47.2 [1.86]	18.8 [.74]	67.1 [2.64]	33.3 [1.31]	38.1 [1.50]	57.2 [2.25]
2250-32-32S	C5406X32	2-11 1/2	2 1/2-12	62 [2.44]	23.6 [.93]	76.2 [3.00]	45.2 [1.78]	49.3 [1.94]	73.2 [2.88]

①



2. CRIMP NUT PER ACES 2813.

1. DIMENSIONS ARE IN MILLIMETERS [INCH].

REVISIONS			
REV	DESCRIPTION	DATE	APPROVED
Z	REDRAWN, UPDATED TO DANFOSS FORMAT & DIMENSION STYLE. 1) ADDED WEATHERHEAD PART NUMBERS	2009-12-30 VJS/ADN	0038688-ECO

METRIC

②

2250-32-32S	C5406X32	FF1546-3232S	210204-32S		
2250-24-24S	C5406X24	FF1546-2424S	210204-24S		
2250-20-20S	C5406X20	FF1546-2020S	210204-20S		
2250-16-16S	C5406X16	FF1546-1616S	210204-16S		
2250-12-14S	C5406X14	FF1546-1214S	210204-14S		
2250-12-12S	C5406X12	FF1546-1212S	210204-12S		
2250-12-8S	C5406X8X12	FF1546-1208S	210204-8S		
2250-8-10S	C5406X10	FF1546-0810S	210204-10S		
2250-8-8S	C5406X8X8	FF1546-0808S	210204-8S		
2250-6-8S	C5406X8	FF1546-0608S	210204-8S		
2250-6-6S	C5406X6X6	FF1546-0606S	210204-6S		
2250-4-6S	C5406X6	FF1546-0406S	210204-6S		
2250-4-4S	C5406X4X4	FF1546-0404S	210204-4S		
2250-2-5S	C5406X5	FF1546-0205S	210204-5S		
2250-2-4S	C5406X4	FF1546-0204S	210204-4S		
AEROQUIP PART NUMBER	WEATHERHEAD PART NUMBER	① ADAPTER BODY	② NUT		

LIST OF MATERIALS

ITEM NO.	MATERIAL	DRAWN V. SURYAWANSHI	CHECKED A. NAGARKATTI	APPROVED A. NAGARKATTI	RELEASE DATE 2009-12-30	CAGE CODE 0038688-ECO	SIZE A2	DRAWING NUMBER 2250-S	REV Z
1	STEEL								
2	STEEL								
THIRD ANGLE PROJECTION		SCALE NONE		DIST U		CAGE CODE 01276		SHEET 1	

Danfoss FLUID CONVEYANCE DIVISION
 DRAWING TITLE
ADAPTER
 MALE PIPE - 90° SWIVEL ELBOW

THE REPRODUCTION, DISTRIBUTION AND UTILIZATION OF THIS DOCUMENT AS WELL AS THE COMMUNICATION OF ITS CONTENTS TO OTHERS WITHOUT EXPLICIT AUTHORIZATION IS PROHIBITED. OFFENDERS WILL BE HELD LIABLE FOR THE PAYMENT OF DAMAGES. ALL RIGHT RESERVED IN THE EVENT OF THE GRANT OF A PATENT, UTILITY MODEL OR DESIGN. (PER ISO 16016)

DWG. NO. 2250-S
SHEET 1
REV. Z