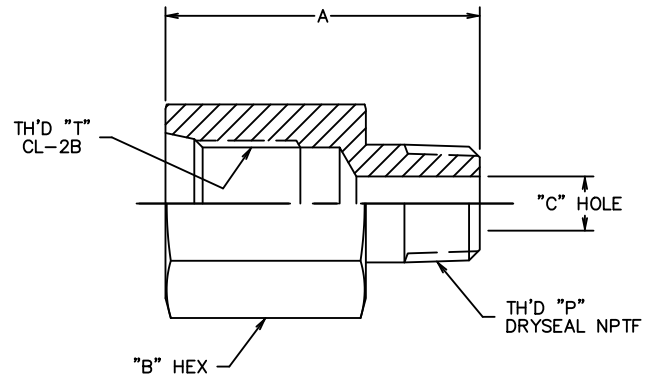


AEROQUIP PART NUMBER	WEATHERHEAD PART NUMBER	TH'D "P"	TH'D "T"	A REF	B REF	C REF
2246-2-4S	C3239X4X2	1/8-27	7/16-20	27.7 [1.09]	11/16	4.8 [.19]
2246-2-5S	C3239X5X2	1/8-27	1/2-20	27.7 [1.09]	3/4	4.8 [.19]
2246-4-4S	C3239X4X4	1/4-18	7/16-20	31.5 [1.24]	11/16	7.1 [.28]
2246-4-6S	C3239X6X4	1/4-18	9/16-18	34.5 [1.36]	13/16	7.1 [.28]
2246-6-5S	C3239X5X6	3/8-18	1/2-20	31.5 [1.24]	3/4	10.4 [.41]
2246-6-6S	C3239X6X6	3/8-18	9/16-18	35.1 [1.38]	13/16	10.4 [.41]
2246-6-8S	C3239X8X6	3/8-18	3/4-16	36.8 [1.45]	1	10.4 [.41]
2246-8-10S	C3239X10X8	1/2-14	7/8-14	45.2 [1.78]	1 1/8	13.5 [.53]
2246-8-6S	C3239X6X8	1/2-14	9/16-18	40.6 [1.60]	7/8	12.7 [.50]
2246-8-8S	C3239X8X8	1/2-14	3/4-16	42.4 [1.67]	1 1/8	13.5 [.53]
2246-12-12S	C3239X12X12	3/4-14	1 1/16-12	48.8 [1.92]	1 5/16	18.3 [.72]
2246-12-14S	C3239X14X12	3/4-14	1 3/16-12	48.8 [1.92]	1 7/16	18.3 [.72]
2246-16-16S	C3239X16X16	1-11 1/2	1 5/16-12	54.1 [2.13]	1 9/16	23.9 [.94]

REVISIONS			
REV	DESCRIPTION	DATE	APPROVED
K	REDRAWN. 1) ADDED WEATHERHEAD PART NUMBERS COLUMN. 2) ADDED 2246-6-6S, 2246-8-6S, 2246-8-8S.	2013-03-13 NMS/DHS	0082024-ECO
L	1) "A" REF DIMENSION WAS 42.9 [1.69] 2) "B" REF DIMENSION WAS 1	2013-11-27 VPC/AGV	0091493-ECO

(K 1/2)

(K 1/2)
(K 1/2) (1/2) (1/2)



- 2. MATERIAL: STEEL.
- 1. DIMENSIONS ARE IN MILLIMETERS [INCHES].

METRIC

DRAWN N. SHELAR	<i>Danfoss</i> FLUID CONVEYANCE DIVISION		
CHECKED D. SHEWALE	DRAWING TITLE		
APPROVED Y. KULKARNI	ADAPTER		
RELEASE DATE 2013-03-13	FEMALE O'RING BOSS TO MALE PIPE		
0082024-ECO	SIZE A2	DRAWING NUMBER 2246-S	REV L
THIRD ANGLE PROJECTION	SCALE NONE	DIST U	CAGE CODE 01276 SHEET 1
THE REPRODUCTION, DISTRIBUTION AND UTILIZATION OF THIS DOCUMENT AS WELL AS THE COMMUNICATION OF ITS CONTENTS TO OTHERS WITHOUT EXPLICIT AUTHORIZATION IS PROHIBITED. OFFENDERS WILL BE HELD LIABLE FOR THE PAYMENT OF DAMAGES. ALL RIGHT RESERVED IN THE EVENT OF THE GRANT OF A PATENT, UTILITY MODEL OR DESIGN. (PER ISO 15001)			

DWG. NO. 2246-S
SHEET 1 OF 1
REV. L