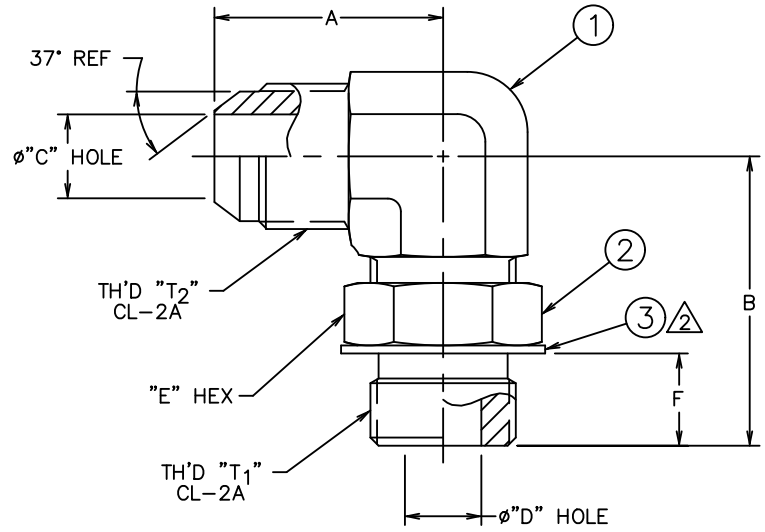


PART NUMBER	TH'D T ₁	TH'D T ₂	A REF	B REF	C REF	D REF	E REF	F MIN
2062-1-3-5S	3/8-24	1/2-20	24.1 [.95]	25.9 [1.02]	5.8 [.23]	3 [.12]	1/2	8.05 [.317]
2062-1-3-6S	3/8-24	9/16-18	26.9 [1.06]	27.4 [1.08]	7.6 [.30]	3 [.12]	1/2	8.05 [.317]
2062-1-4-4S	7/16-20	7/16-20	22.6 [.89]	26.2 [1.03]	4.3 [.17]	4.3 [.17]	9/16	9.35 [.368]
2062-1-4-5S	7/16-20	1/2-20	24.1 [.95]	28.7 [1.13]	5.8 [.23]	4.3 [.17]	9/16	9.35 [.368]
2062-1-4-6S	7/16-20	9/16-18	26.9 [1.06]	30.2 [1.19]	7.6 [.30]	4.3 [.17]	9/16	9.35 [.368]
2062-1-5-4S	1/2-20	7/16-20	24.1 [.95]	28.7 [1.13]	4.3 [.17]	5.8 [.23]	5/8	9.35 [.368]
2062-1-5-5S	1/2-20	1/2-20	24.1 [.95]	28.7 [1.13]	5.8 [.23]	5.8 [.23]	5/8	9.35 [.368]
2062-1-5-6S	1/2-20	9/16-18	26.9 [1.06]	30.2 [1.19]	7.6 [.30]	5.8 [.23]	5/8	9.35 [.368]
2062-1-6-4S	9/16-18	7/16-20	26.7 [1.05]	31.8 [1.25]	4.3 [.17]	7.6 [.30]	11/16	10.54 [.415]
2062-1-6-5S	9/16-18	1/2-20	26.7 [1.05]	31.8 [1.25]	5.8 [.23]	7.6 [.30]	11/16	10.54 [.415]
2062-1-6-6S	9/16-18	9/16-18	26.9 [1.06]	31.8 [1.25]	7.6 [.30]	7.6 [.30]	11/16	10.54 [.415]
2062-1-6-8S	9/16-18	3/4-16	31.8 [1.25]	33.5 [1.32]	9.9 [.39]	7.6 [.30]	11/16	10.54 [.415]
2062-1-8-6S	3/4-16	9/16-18	29 [1.14]	36.8 [1.45]	7.6 [.30]	9.9 [.39]	7/8	11.99 [.472]
2062-1-8-8S	3/4-16	3/4-16	31.8 [1.25]	36.8 [1.45]	9.9 [.39]	9.9 [.39]	7/8	11.99 [.472]
2062-1-8-10S	3/4-16	7/8-14	36.8 [1.45]	39.1 [1.54]	12.2 [.48]	9.9 [.39]	7/8	11.99 [.472]
2062-1-8-12S	3/4-16	1 1/16-12	42.2 [1.66]	41.1 [1.62]	15.5 [.61]	9.9 [.39]	7/8	11.99 [.472]
2062-1-10-6S	7/8-14	9/16-18	31 [1.22]	43.2 [1.70]	7.6 [.30]	12.2 [.48]	1.00	13.79 [.543]
2062-1-10-8S	7/8-14	3/4-16	33.8 [1.33]	43.2 [1.70]	9.9 [.39]	12.2 [.48]	1.00	13.79 [.543]
2062-1-10-10S	7/8-14	7/8-14	36.8 [1.45]	43.2 [1.70]	12.2 [.48]	12.2 [.48]	1.00	13.79 [.543]
2062-1-10-12S	7/8-14	1 1/16-12	42.2 [1.66]	45.2 [1.78]	15.5 [.61]	12.2 [.48]	1.00	13.79 [.543]
2062-1-12-8S	1 1/16-12	3/4-16	36.1 [1.42]	49.3 [1.94]	9.9 [.39]	15.5 [.61]	1 1/4	16.15 [.636]
2062-1-12-10S	1 1/16-12	7/8-14	39.1 [1.54]	49.3 [1.94]	12.2 [.48]	15.5 [.61]	1 1/4	16.15 [.636]
2062-1-12-12S	1 1/16-12	1 1/16-12	42.2 [1.66]	49.3 [1.94]	15.5 [.61]	15.5 [.61]	1 1/4	16.15 [.636]
2062-1-12-16S	1 1/16-12	1 5/16-12	46 [1.81]	52.1 [2.05]	21.3 [.84]	15.5 [.61]	1 1/4	16.15 [.636]
2062-1-12-20S	1 1/16-12	1 5/8-12	52.3 [2.06]	57.2 [2.25]	27.4 [1.08]	15.5 [.61]	1 1/4	16.15 [.636]
2062-1-14-16S	1 3/16-12	1 5/16-12	46 [1.81]	52.1 [2.05]	21.3 [.84]	18.3 [.72]	1 3/8	16.15 [.636]
2062-1-16-8S	1 5/16-12	3/4-16	38.6 [1.52]	52.1 [2.05]	9.9 [.39]	21.3 [.84]	1 1/2	16.15 [.636]
2062-1-16-10S	1 5/16-12	7/8-14	41.7 [1.64]	52.1 [2.05]	12.2 [.48]	21.3 [.84]	1 1/2	16.15 [.636]
2062-1-16-12S	1 5/16-12	1 1/16-12	44.7 [1.76]	52.1 [2.05]	15.5 [.61]	21.3 [.84]	1 1/2	16.15 [.636]
2062-1-16-16S	1 5/16-12	1 5/16-12	46 [1.81]	52.1 [2.05]	21.3 [.84]	21.3 [.84]	1 1/2	16.15 [.636]
2062-1-16-20S	1 5/16-12	1 5/8-12	52.3 [2.06]	57.2 [2.25]	27.4 [1.08]	21.3 [.84]	1 1/2	16.15 [.636]
2062-1-20-16S	1 5/8-12	1 5/16-12	51.1 [2.01]	57.2 [2.25]	21.3 [.84]	27.4 [1.08]	1 7/8	16.15 [.636]
2062-1-20-20S	1 5/8-12	1 5/8-12	52.3 [2.06]	57.2 [2.25]	27.4 [1.08]	27.4 [1.08]	1 7/8	16.15 [.636]
2062-1-20-24S	1 5/8-12	1 7/8-12	59.2 [2.33]	60.7 [2.39]	33.3 [1.31]	27.4 [1.08]	1 7/8	16.15 [.636]
2062-1-24-20S	1 7/8-12	1 5/8-12	55.9 [2.20]	60.7 [2.39]	27.4 [1.08]	33.3 [1.31]	2 1/8	16.15 [.636]

REVISIONS			
REV	DESCRIPTION	DATE	APPROVED
BP	REDRAWN & REACTIVATED FROM LAST REV "BN". 1) REMOVED PART #2062-1-24-24S.	2013-04-12 SBM/AGV	0084052-ECO
BR	1) ADDED PART #2062-1-4-5S, #2062-1-5-4S & #2062-1-6-5S.	2016-01-29 KRC/VSP	0118470-ECO

METRIC

2062-1-24-20S	206204-24-20S	210295-24S	222013-24S
2062-1-20-24S	206204-20-24S	210295-20S	222013-20S
2062-1-20-20S	206204-20-20S	210295-20S	222013-20S
2062-1-20-16S	206204-20-16S	210295-20S	222013-20S
2062-1-16-20S	206204-16-20S	210295-16S	222013-16S
2062-1-16-16S	206204-16-16S	210295-16S	222013-16S
2062-1-16-12S	206204-16-12S	210295-16S	222013-16S
2062-1-16-10S	206204-16-10S	210295-16S	222013-16S
2062-1-16-8S	206204-16-8S	210295-16S	222013-16S
2062-1-14-16S	206204-14-16S	210295-14S	222013-14S
2062-1-12-20S	206204-12-20S	210295-12S	222013-12S
2062-1-12-16S	206204-12-16S	210295-12S	222013-12S
2062-1-12-12S	206204-12-12S	210295-12S	222013-12S
2062-1-12-10S	206204-12-10S	210295-12S	222013-12S
2062-1-12-8S	206204-12-8S	210295-12S	222013-12S
2062-1-10-12S	206204-10-12S	210295-10S	222013-10S
2062-1-10-10S	206204-10-10S	210295-10S	222013-10S
2062-1-10-8S	206204-10-8S	210295-10S	222013-10S
2062-1-10-6S	206204-10-6S	210295-10S	222013-10S
2062-1-8-12S	206204-8-12S	210295-8S	222013-8S
2062-1-8-10S	206204-8-10S	210295-8S	222013-8S
2062-1-8-8S	206204-8-8S	210295-8S	222013-8S
2062-1-8-6S	206204-8-6S	210295-8S	222013-8S
2062-1-6-8S	206204-6-8S	210295-6S	222013-6S
2062-1-6-6S	206204-6-6S	210295-6S	222013-6S
2062-1-6-5S	206204-6-5S	210295-6S	222013-6S
2062-1-6-4S	206204-6-4S	210295-6S	222013-6S
2062-1-5-6S	206204-5-6S	210295-5S	222013-5S
2062-1-5-5S	206204-5-5S	210295-5S	222013-5S
2062-1-5-4S	206204-5-4S	210295-5S	222013-5S
2062-1-4-6S	206204-4-6S	210295-4S	222013-4S
2062-1-4-5S	206204-4-5S	210295-4S	222013-4S
2062-1-4-4S	206204-4-4S	210295-4S	222013-4S
2062-1-3-6S	206204-3-6S	210295-3S	222013-3S
2062-1-3-5S	206204-3-5S	210295-3S	222013-3S



WASHER CLINCHED TO FITTING WITH 0.012 [.0005] MAXIMUM CLEARANCE TO AN INTERFERENCE FIT.

1. DIMENSIONS ARE IN MILLIMETERS [INCHES].

LIST OF MATERIALS		
ITEM NO.	MATERIAL	
1	STEEL	
2	STEEL	
3	STEEL	

DRAWN S. MERWADE CHECKED A. MARANKAR APPROVED J. LUGNBILL	FLUID CONVEYANCE DIVISION DRAWING TITLE ADAPTER SAE 37° FLARE-90° STRAIGHT THREAD ELBOW (SAE #070220)
RELEASE DATE 2013-04-12 0084052-ECO	SCALE NONE DIST U PAGE CODE 01276 SHEET 1
THIRD ANGLE PROJECTION	SIZE DRAWING NUMBER A1 2062-1-S BR
THE REPRODUCTION, DISTRIBUTION AND UTILIZATION OF THIS DOCUMENT AS WELL AS THE COMMUNICATION OF ITS CONTENTS TO OTHERS WITHOUT EXPLICIT AUTHORIZATION IS PROHIBITED. OFFENDERS WILL BE HELD LIABLE FOR THE PAYMENT OF DAMAGES. ALL RIGHTS RESERVED IN THE EVENT OF A PATENT, UTILITY MODEL, OR DESIGN. (PER ISO 9000)	