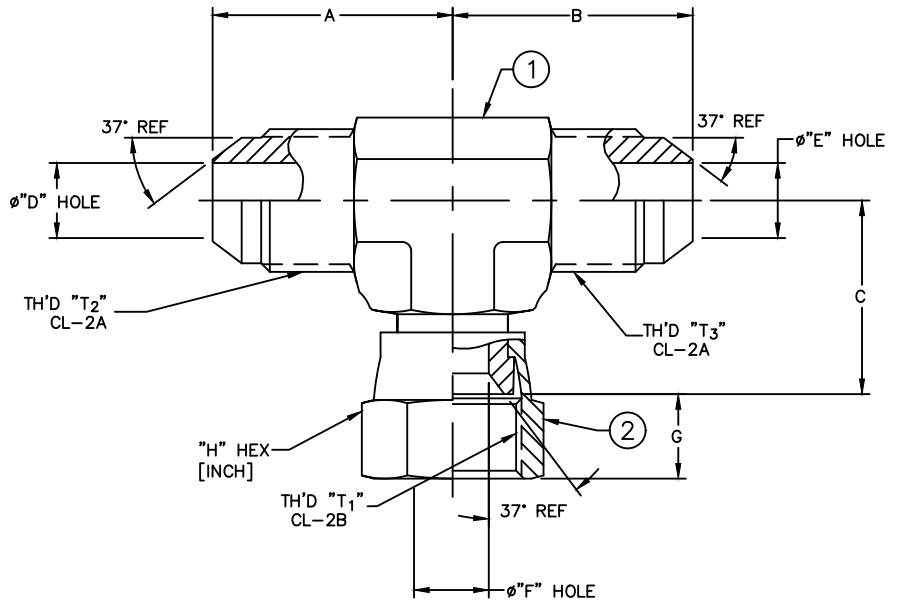
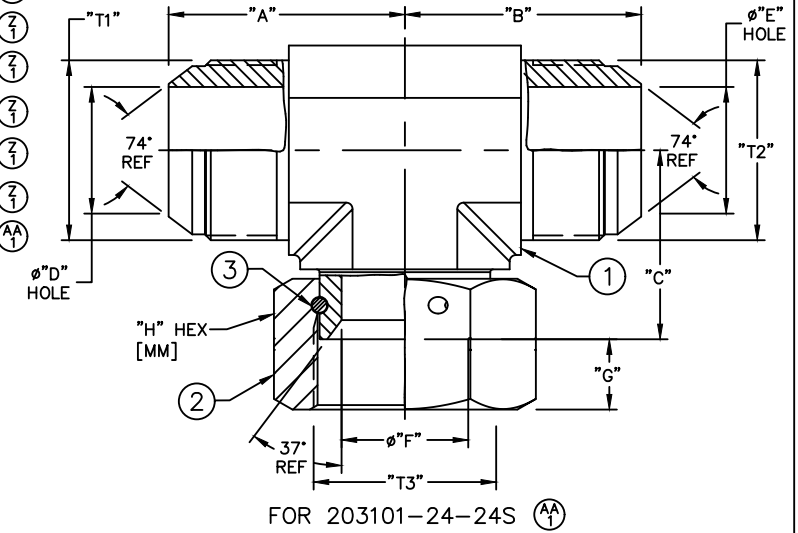


AEROQUIP PART NUMBER	WEATHERHEAD PART NUMBER	WINNER PART NUMBER	TH'D "T1"	TH'D "T2"	TH'D "T3"	A REF	B REF	C REF	D REF	E REF	F REF	G MIN	H REF
203101-5-5S	C5707X5	-	1/2-20	1/2-20	1/2-20	24.1 [.95]	24.1 [.95]	17.3 [.68]	5.8 [.23]	5.8 [.23]	5.8 [.23]	9.7 [.38]	5/8
203101-6-5S	C5707X5X6	-	9/16-18	1/2-20	1/2-20	26.7 [1.05]	26.7 [1.05]	22.4 [.88]	5.8 [.23]	5.8 [.23]	7.6 [.30]	10.2 [.40]	11/16
203101-4-4S	C5707X4	-	7/16-20	7/16-20	7/16-20	22.6 [.89]	22.6 [.89]	16.8 [.66]	4.3 [.17]	4.3 [.17]	4.3 [.17]	8.6 [.34]	9/16
203101-6-6S	C5707X6	-	9/16-18	9/16-18	9/16-18	26.9 [1.06]	26.9 [1.06]	22.4 [.88]	7.4 [.29]	7.4 [.29]	7.4 [.29]	9.4 [.37]	11/16
203101-8-8S	C5707X8	-	3/4-16	3/4-16	3/4-16	31.8 [1.25]	31.8 [1.25]	24.4 [.96]	9.9 [.39]	9.9 [.39]	9.9 [.39]	10.7 [.42]	7/8
203101-10-10S	C5707X10	-	7/8-14	7/8-14	7/8-14	36.8 [1.45]	36.8 [1.45]	28.4 [1.12]	12.2 [.48]	12.2 [.48]	12.2 [.48]	12.7 [.50]	1
203101-12-12S	C5707X12	-	1 1/16-12	1 1/16-12	1 1/16-12	42.2 [1.66]	42.2 [1.66]	30 [1.18]	15.5 [.61]	15.5 [.61]	15.5 [.61]	14.2 [.56]	1 1/4
203101-16-16S	C5707X16	-	1 5/16-12	1 5/16-12	1 5/16-12	46 [1.81]	46 [1.81]	35.6 [1.40]	21.6 [.85]	21.6 [.85]	21.6 [.85]	15.2 [.60]	1 1/2
203101-20-20S	C5707X20	-	1 5/8-12	1 5/8-12	1 5/8-12	52.3 [2.06]	52.3 [2.06]	42.7 [1.68]	27.4 [1.08]	27.4 [1.08]	27.4 [1.08]	15.7 [.62]	2
203101-24-24S	-	BJ-24ZD	1 7/8-12	1 7/8-12	1 7/8-12	62.5 [2.46]	62.5 [2.46]	50 [1.97]	33.5 [1.32]	33.5 [1.32]	33.5 [1.32]	18.6 [.73]	60

REVISIONS			
REV	DESCRIPTION	DATE	APPROVED
Y	REDRAWN AND UPDATED TO DANFOSS FORMAT AND DIMENSION STYLE. 1) ADDED PART 203101-5-5S.	2009-12-25 ADM/ADN	0038342-ECO
Z	1) ADDED PARTS.	2014-10-29 HLV	0101174-ECO
AA	1) ADDED PART 203101-24-24S & VIEW. 2) ADDED NOTE# 3	2021-09-02 SKD/SSA	CO-0219809 N-2021/9657



WEATHERHEAD PART NUMBER	AEROQUIP PART NUMBER	WINNER PART NUMBER	① ADAPTER BODY	② NUT	③ WIRE
-	203101-24-24S	BJ-24ZD	BJ-24XZD	N-J24WHSZD	W-J24
C5707X20	203101-20-20S	-	FF2777-2020S	210204-20S	-
C5707X16	203101-16-16S	-	FF2777-1616S	210204-16S	-
C5707X12	203101-12-12S	-	FF2777-1212S	210204-12S	-
C5707X10	203101-10-10S	-	FF2777-1010S	210204-10S	-
C5707X8	203101-8-8S	-	FF2777-0808S	210204-8S	-
C5707X6	203101-6-6S	-	FF2777-0606S	210204-6S	-
C5707X4	203101-4-4S	-	FF2777-0404S	210204-4S	-
C5707X5X6	203101-6-5S	-	FF2777-0605S	210204-6S	-
C5707X5	203101-5-5S	-	FF2777-0505S	210204-5S	-

LIST OF MATERIALS					
ITEM NO.	MATERIAL	DRAWN	CHECKED	APPROVED	RELEASE DATE
1	STEEL	A. MHASKE	A. NAGARKATTI	A. NAGARKATTI	2009-12-25
2	STEEL				
3	STAINLESS STEEL				

3. PROCESS AS FOLLOWS: (AA)
a) ASSEMBLE NUT AND WIRE.
2. PROCESS AS FOLLOWS:
(a) CRIMP NUT PER ES 2813.
1. DIMENSIONS ARE IN MILLIMETERS [INCHES].

METRIC

Danfoss FLUID CONVEYANCE DIVISION

DRAWING TITLE: ADAPTER

SAE 37° FLARE - SWIVEL BRANCH TEE

SIZE: A2 | DRAWING NUMBER: 203101 | REV: AA

SCALE: NONE | DIST: U | CAGE CODE: D2497 | SHEET: 1

THE REPRODUCTION, DISTRIBUTION AND UTILIZATION OF THIS DOCUMENT AS WELL AS THE COMMUNICATION OF ITS CONTENTS TO OTHERS WITHOUT EXPLICIT AUTHORIZATION IS PROHIBITED. OFFENDERS WILL BE HELD LIABLE FOR THE PAYMENT OF DAMAGES. ALL RIGHT RESERVED IN THE EVENT OF THE GRANT OF A PATENT, UTILITY MODEL OR DESIGN. (PER ISO 16016)