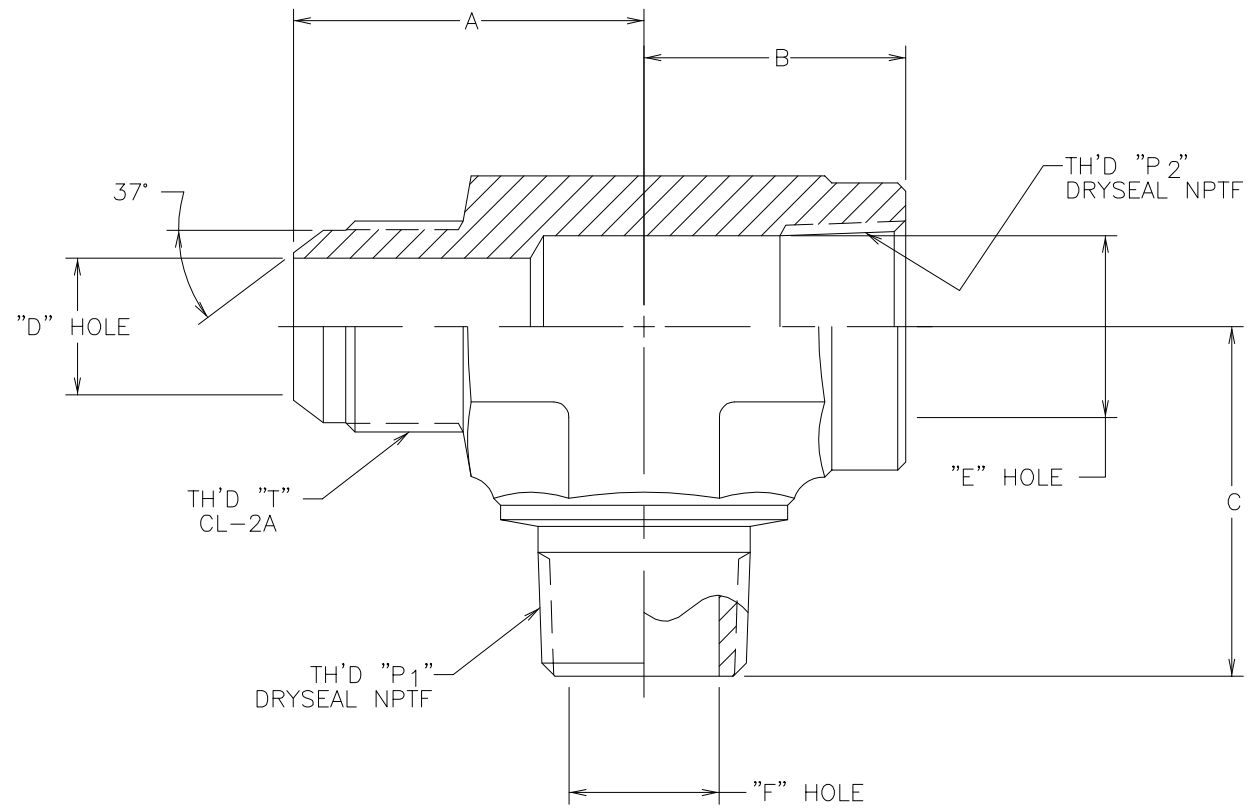


PART NUMBER	TH'D "P 1"	TH'D "P 2"	TH'D "T"	A REF	B REF	C REF	D REF	E REF	F REF
203006-2-4S	1/8-27	1/8-27	7/16-20	1.08	.66	.78	.17	.29	.19
203006-4-6S	1/4-18	1/4-18	9/16-18	1.23	.88	1.09	.30	.39	.28
203006-6-8S	3/8-18	3/8-18	3/4-16	1.42	1.02	1.22	.39	.53	.41
203006-8-10S	1/2-14	1/2-14	7/8-14	1.64	1.23	1.47	.48	.65	.53
203006-12-12S	3/4-14	3/4-14	1 1/16-12	1.89	1.36	1.59	.61	.85	.72
203006-16-16S	1-11 1/2	1-11 1/2	1 5/16-12	2.17	1.62	1.97	.84	1.06	.94
203006-20-20S	1 1/4-11 1/2	1 1/4-11 1/2	1 5/8-12	2.33	1.70	2.38	1.08	1.40	1.25

REVISIONS			
REV.	DESCRIPTION	DATE	APPROVED
M	REDRAWN ON CAD - LAST REV."L" UPDATED DIMENSIONS TO AGREE WITH DETAIL DRAWINGS (WAS BRAZE DESIGN)	5-26-94	EN-F14937 DP-24771



CONVERTED DRAWING CADAM to AutoCAD 9/98

1. MATERIAL: STEEL.

THE REPRODUCTION, DISTRIBUTION AND UTILIZATION OF THIS DOCUMENT AS WELL AS THE COMMUNICATION OF ITS CONTENTS TO OTHER WITHOUT EXPLICIT AUTHORIZATION IS PROHIBITED. OFFENDERS WILL BE HELD LIABLE FOR THE PAYMENT OF DAMAGES. ALL RIGHT RESERVED IN THE EVENT OF THE GRANT OF A PATENT, UTILITY MODEL OR DESIGN. (PER ISO 16016)

DRAWN T. WIPF	DATE 5-26-94	Danfoss FLUID CONVEYANCE DIVISION
CHECKED R.D. GARRETT	DATE 5-31-94	
APPROVED R.D. GARRETT	DATE 5-31-94	DRAWING TITLE ADAPTER
RELEASED EN-F14937	DATE 5-31-94	TEE, SAE 37° MALE FLARE TO FEMALE PIPE WITH MALE PIPE BRANCH
PROJECT NO. DP-24771	APC NO.	SIZE (CAGE) CODE NO. DRAWING NUMBER C 01276 203006-S
DESIGN APPROVED		SHEET
APPROVED		U

DWG. NO. 203006-S REV. M SH. T1