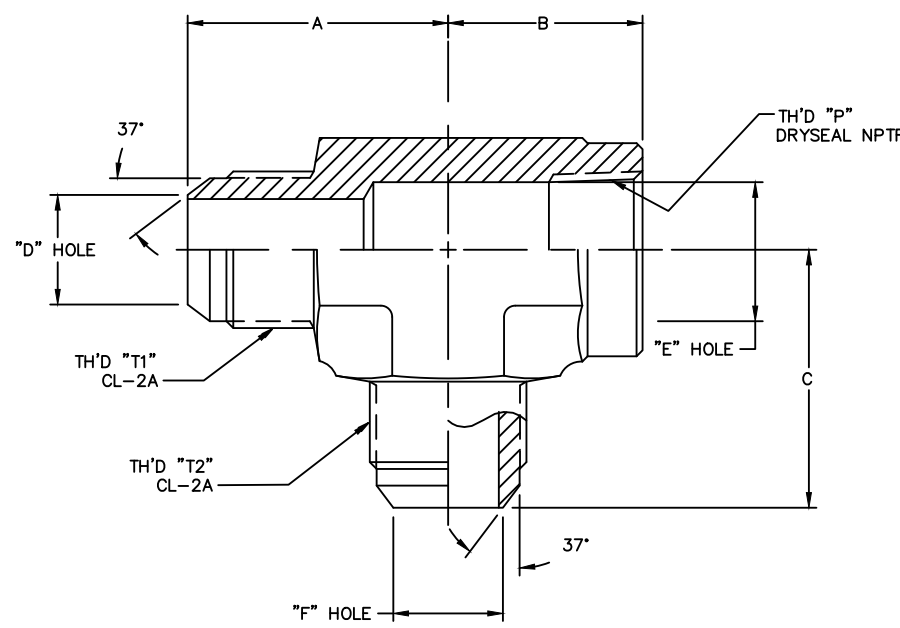


PART NUMBER	WEATHERHEAD PART NUMBER	TH'D "P"	TH'D "T1"	TH'D "T2"	A REF	B REF	C REF	D REF	E REF	F REF
2029-2-3S	C5805X3	1/8-27	3/8-24	3/8-24	26.2 [1.03]	16.8 [.66]	26.2 [1.03]	3 [.12]	7.4 [.29]	3 [.12]
2029-2-4S	C5805X4	1/8-27	7/16-20	7/16-20	27.4 [1.08]	16.8 [.66]	27.4 [1.08]	4.3 [.17]	7.4 [.29]	4.3 [.17]
2029-4-4S	C5805X4X4X4	1/4-18	7/16-20	7/16-20	31 [1.22]	22.4 [.88]	31 [1.22]	4.3 [.17]	9.9 [.39]	4.3 [.17]
2029-4-6S	C5805X6	1/4-18	9/16-18	9/16-18	31.2 [1.23]	22.4 [.88]	31.2 [1.23]	7.6 [.30]	9.9 [.39]	7.6 [.30]
2029-6-8S	C5805X8	3/8-18	3/4-16	3/4-16	36.1 [1.42]	25.9 [1.02]	36.1 [1.42]	9.9 [.39]	13.5 [.53]	9.9 [.39]
2029-8-8S	C5805X8X8X8	1/2-14	3/4-16	3/4-16	38.6 [1.52]	31.2 [1.23]	38.6 [1.52]	9.9 [.39]	16.5 [.65]	9.9 [.39]
2029-12-12S	C5805X12	3/4-14	1 1/16-12	1 1/16-12	48 [1.89]	34.5 [1.36]	48 [1.89]	15.5 [.61]	21.6 [.85]	15.5 [.61]
2029-16-16S	C5805X16	1-11 1/2	1 5/16-12	1 5/16-12	55.1 [2.17]	41.1 [1.62]	55.1 [2.17]	21.3 [.84]	26.9 [1.06]	21.3 [.84]

AS
1

REVISIONS			
REV	DESCRIPTION	DATE	APPROVED
AS	REDRAWN. UPDATED TO DANFOSS FORMAT & DIMENSION STYLE. 1) WEATHERHEAD PART NUMBER COLUMN ADDED.	2009-12-16 PSL/ADN	0037640-ECO
AT	CREATED ALTERNATE LANGUAGE DRAWING 1) ADDED ALTERNATIVE LANGUAGE TEXT BLOCK	2019-11-12 KSD	CO-0193698

AT
1
ALTERNATIVE LANGUAGE DRAWING
ALL SHEETS MUST BE IDENTICAL
AND WITH SAME REVISION LEVEL



METRIC

2. MATERIAL: STEEL
1. DIMENSIONS ARE IN MILLIMETERS [INCH].

DRAWN P. LAD	FLUID CONVEYANCE DIVISION		
CHECKED A. NAGARKATTI	DRAWING TITLE		
APPROVED A. NAGARKATTI	ADAPTER		
RELEASE DATE 2009-12-28	SAE 37° FLARE - FEMALE RUN TEE		
0037640-ECO	(SAE #070426)		
THIRD ANGLE PROJECTION	SIZE A2	DRAWING NUMBER 2029-S	REV AT
	SCALE NONE	DIST U	CAGE CODE 01276
		SHEET 1	

THE REPRODUCTION, DISTRIBUTION AND UTILIZATION OF THIS DOCUMENT AS WELL AS THE COMMUNICATION OF ITS CONTENTS TO OTHERS WITHOUT EXPLICIT AUTHORIZATION IS PROHIBITED. OFFENDERS WILL BE HELD LIABLE FOR THE PAYMENT OF DAMAGES. ALL RIGHT RESERVED IN THE EVENT OF THE GRANT OF A PATENT, UTILITY MODEL OR DESIGN. (PER ISO 16016)