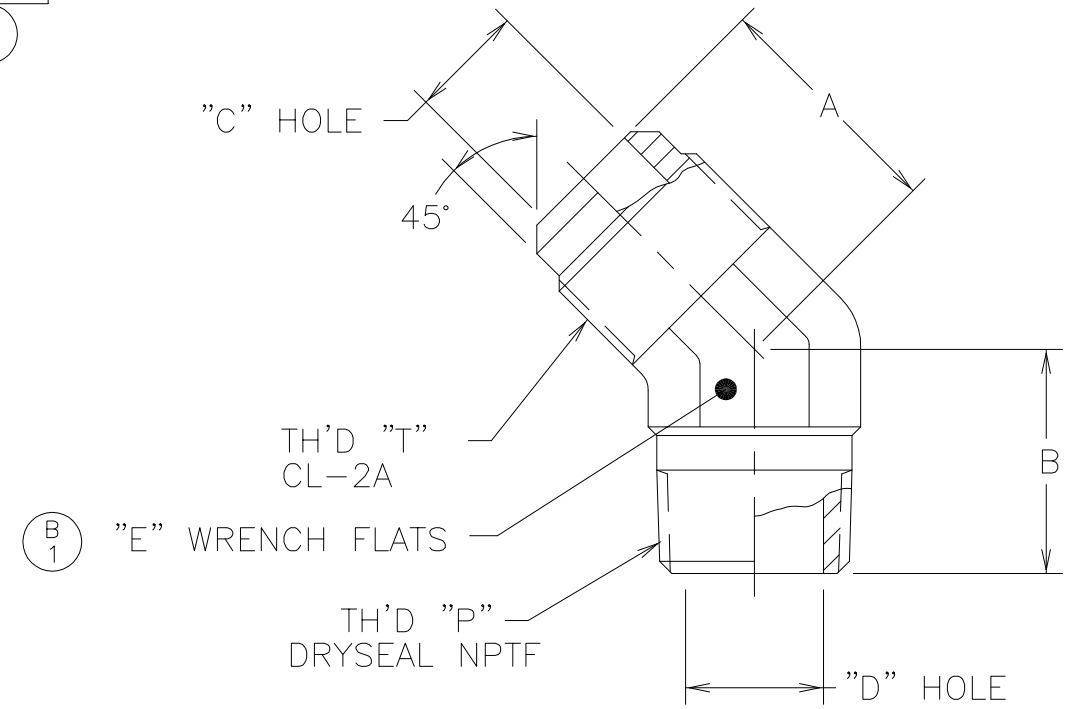


PART NUMBER	TH'D "P"	TH'D "T"	A REF	B REF	C REF	D REF	E REF
2007-2-4B	1/8-27	7/16-20	.68	.64	.19	.22	.41
2007-4-4B	1/4-18	7/16-20	.75	.86	.19	.31	.53
2007-4-6B	1/4-18	5/8-18	.91	.86	.28	.31	.53
2007-6-6B	3/8-18	5/8-18	.93	.94	.28	.41	.59
2007-6-8B	3/8-18	3/4-16	1.07	.88	.41	.41	.59
2007-8-6B	1/2-14	5/8-18	.99	1.17	.28	.56	.75
2007-8-8B	1/2-14	3/4-16	1.12	1.18	.41	.41	.75
2007-8-10B	1/2-14	7/8-14	1.12	1.17	.50	.50	.78
2007-12-12B	3/4-14	1 1/16-14	1.41	1.20	.63	.63	.88

REVISIONS			
REV.	DESCRIPTION	DATE	APPROVED
A	(1) ADDED ALL SIZES EXCEPT 2007-8-8B	5-28-96 R.D.G.	EN-F16412 DP-24771
B	(1) ADDED DIMENSION "E"	12-9-96 R.D.G.	EN-F16835 DP-24771
C	(1).56 WAS .28	2000-02-10 JJB	EN-F19757 DP-24901



CONVERTED DRAWING CADAM to AutoCAD 8/98

1. MATERIAL: BRASS

THE REPRODUCTION, DISTRIBUTION AND UTILIZATION OF THIS DOCUMENT AS WELL AS THE COMMUNICATION OF ITS CONTENTS TO OTHER WITHOUT EXPLICIT AUTHORIZATION IS PROHIBITED. OFFENDERS WILL BE HELD LIABLE FOR THE PAYMENT OF DAMAGES. ALL RIGHT RESERVED IN THE EVENT OF THE GRANT OF A PATENT, UTILITY MODEL OR DESIGN. (PER ISO 16016)

DRAWN M. MOLINA	DATE 5-2-96	Danfoss FLUID CONVEYANCE DIVISION
CHECKED R.D.GARRETT	DATE 5-2-96	
APPROVED R.D.GARRETT	DATE 5-2-96	DRAWING TITLE ADAPTER
RELEASED EN-F16398	DATE 5-2-96	45°, SAE 45° MALE FLARE TO MALE PIPE
PROJECT NO. DP-24771	APC NO.	SIZE (CAGE) CODE NO. DRAWING NUMBER B 01276 2007-B
APPROVED DATE		SHEET U
ITEM TYPE MFBB		