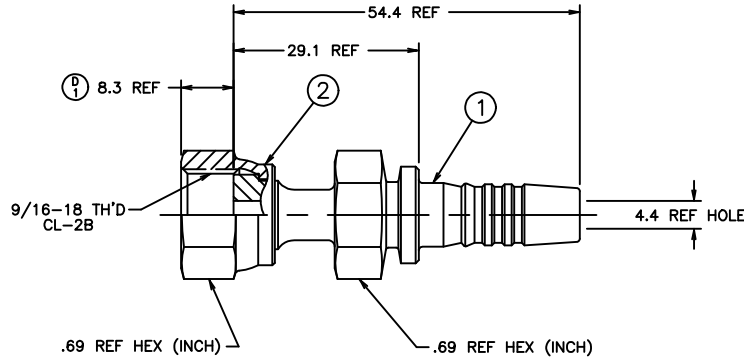


THE REPRODUCTION, DISTRIBUTION AND UTILIZATION OF THIS DOCUMENT AS WELL AS THE COMMUNICATION OF ITS CONTENTS TO OTHERS WITHOUT EXPRESS AUTHORIZATION IS PROHIBITED. OFFENDERS WILL BE HELD LIABLE FOR THE PAYMENT OF DAMAGES. ALL RIGHTS RESERVED IN THE EVENT OF THE GRANT OF A PATENT, UTILITY MODEL OR DESIGN. (PER ISO 18016)

| REVISIONS |  |          |                    |
|-----------|--|----------|--------------------|
| REV       | DESCRIPTION  | DATE     | APPROVED           |
| D         | REDRAWN - SUPERSEDES 1SA_FR_SHEET 1/2 REV. C FOR 1SA4FR6 (1) WAS 8.2 REF | 10-25-95 | EN-F16048 DP-24900 |



|      |      |
|------|------|
| 54.4 | 2.14 |
| 29.1 | 1.15 |
| 8.3  | .33  |
| 4.4  | .17  |
| MM   | INCH |

CONVERSION

METRIC

CONVERTED DRAWING CADAM to AutoCAD 18/98

DWG. NO. 1SA4FR6 SH. REV. D

|                      |                |                          |  |                           |                    |
|----------------------|----------------|--------------------------|--|---------------------------|--------------------|
| 1SA4FR6              | 1F40010A0406-S | FC1473-04S               |  |                           |                    |
| AEROQUIP PART NUMBER | ① NIPPLE       | ② NUT                    |  |                           |                    |
| LIST OF MATERIALS    |                |                          |  |                           |                    |
| ITEM NO.             | MATERIAL       | DRAWN<br>R.D.GARRETT     | FLUID CONVEYANCE DIVISION  |                           |                    |
| 1                    | STEEL          | CHECKED<br>M.MOLINA      |  |                           |                    |
| 2                    | STEEL          | APPROVED<br>R.D.GARRETT  | DRAWING TITLE<br>NIPPLE ASSEMBLY<br>ORS FEMALE SWIVEL, 2781 HOSE |                           |                    |
|                      |                | RELEASE DATE<br>10-26-95 |  |                           |                    |
|                      |                | EN-F16048<br>DP-24900    | SIZE<br>C  | DRAWING NUMBER<br>1SA4FR6 | REV<br>D           |
|                      |                | HIGH ASSE PROTECTION     | SCALE<br>2/1   | DIST<br>U                 | CAGE CODE<br>01276 |
|                      |                |                          |  | SHEET NO                  |                    |

1. CRIMP NUT PER ACES 2409P1.