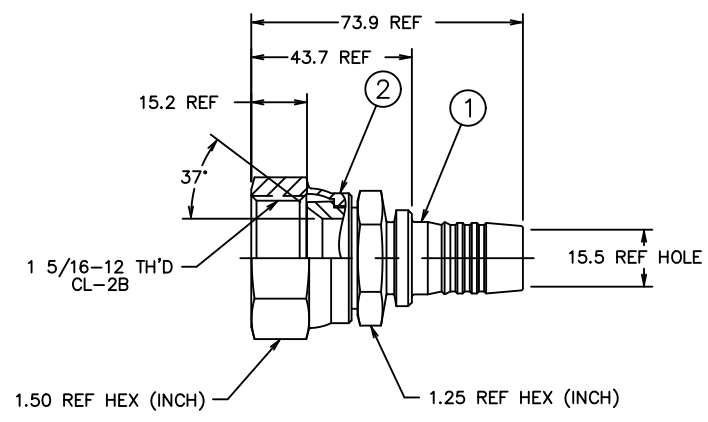




REVISIONS			
REV	DESCRIPTION	DATE	APPROVED
D	REDRAWN - SUPERSEDES 1SA_FJ_ SHEET 2 REV."C" FOR 1SA16FJ12 (1)NOTE #1 WAS: "CRIMP NUT PER ACES 2409P2"	2-20-95	EN-F15512 DP-24900



73.9	2.91
43.7	1.72
15.5	.61
15.2	.60
MM	INCH

CONVERSION

METRIC

CONVERTED DRAWING CADAM to AutoCAD 8/98

1. CRIMP NUT PER ACES 2813. 1

1SA16FJ12	1F40000A1612-S	210204-16S				
AEROQUIP PART NUMBER	1 NIPPLE	2 NUT				
LIST OF MATERIALS						
ITEM NO.	MATERIAL	DRAWN R.WILLIAMS	<i>Danfoss</i> FLUID CONVEYANCE DIVISION			
1	STEEL	CHECKED R.D.GARRETT				
2	STEEL	APPROVED R.D.GARRETT	DRAWING TITLE NIPPLE ASSEMBLY SAE 37° SWIVEL, 2781 HOSE			
		RELEASE DATE 2-20-95				
		EN-F15512 DP-24900	SIZE C	DRAWING NUMBER 1SA16FJ12	REV D	
		THIRD ANGLE PROJECTION	SCALE 1/1	DIST U	CAGE CODE 01276	SHEET NO

195

REV. D
SH.

1SA16FJ12

DWG. NO.

