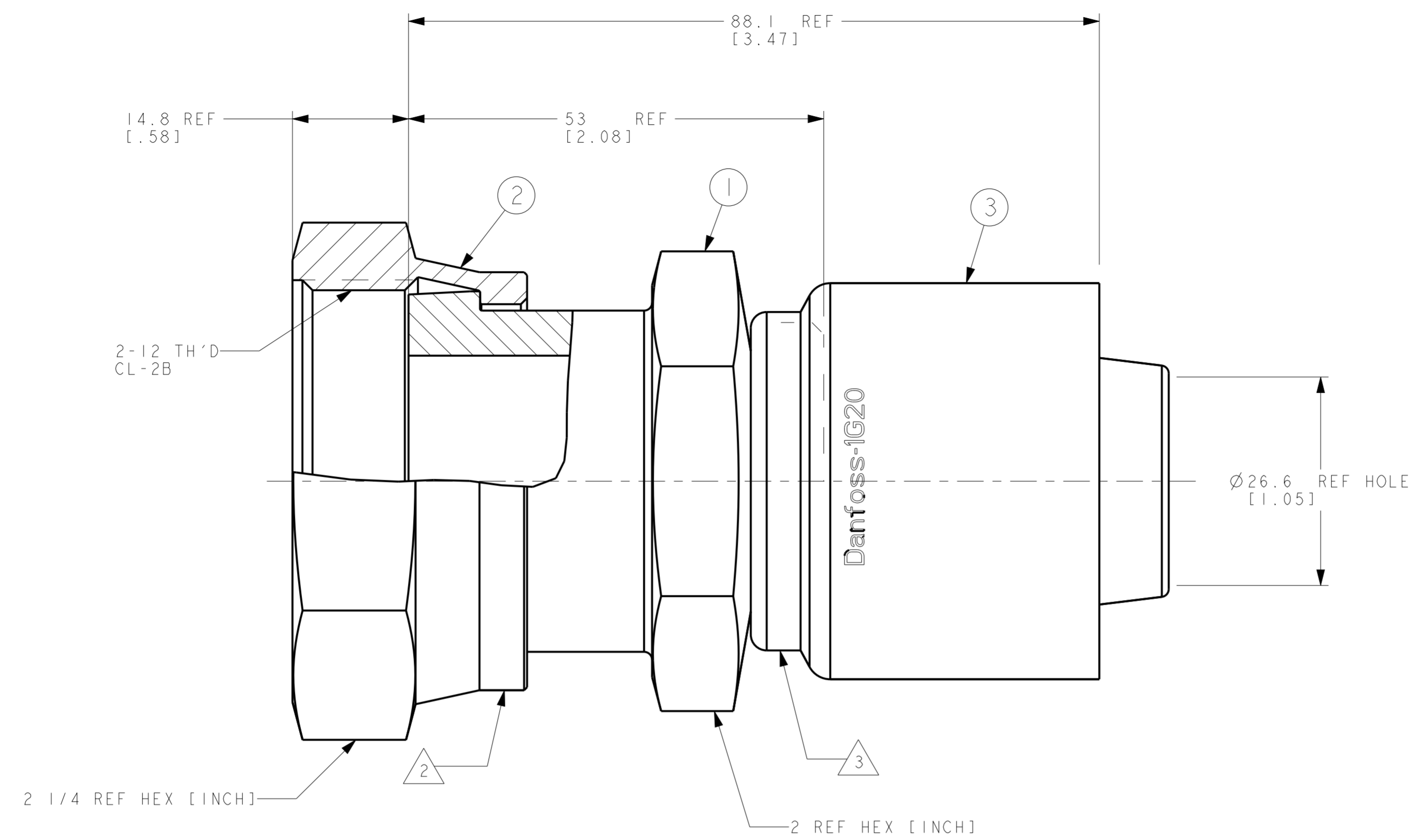


REVISIONS			
REV	DESCRIPTION	DATE	APPROVED
B	REDRAWN & REDESIGNED. SUPERSEDES IGA24FR20_SHT1 REV. "A" (WAS BRAZE DESIGN)	2014-01-09 SBM/VSP	0091973-ECO



METRIC

IGA24FR20	IF40010A2420-S	FCI473-24S	IG20		
PART NUMBER	① NIPPLE	② NUT	③ SOCKET		

LIST OF MATERIALS

ITEM NO.	MATERIAL	FLUID CONVEYANCE DIVISION MAUMEE, OHIO U.S.A.		DRAWN S. MERWADE	
1	STEEL			CHECKED	V. PATIL
2	STEEL			APPROVED	R. RUTSCHILLING
3	STEEL			RELEASE DATE	2014-01-09
				DRAWING INTERPRETATION PER ES 10	
				DRAWING TITLE	
				FITTING ASSEMBLY	
				ORS FEMALE SWIVEL	
				OTC	
		0091973-ECO	CAGE CODE 01276	DRAWING NUMBER	
		THIRD ANGLE PROJECTION	DIST U	IGA24FR20	
		SIZE A2	SCALE 2/1	REV	
		SHEET 1		B	

4. ISA24FR20 NIPPLE ASSEMBLY MAY BE SUBSTITUTED FOR ITEMS #1 AND #2.

③ CRIMP SOCKET PER ACES 2813.

② CRIMP NUT PER ES 2409PI.

1. DIMENSIONS ARE IN MILLIMETERS [INCHES].

REV. B  
SHT. 1  
IGA24FR20  
DWG. NO.