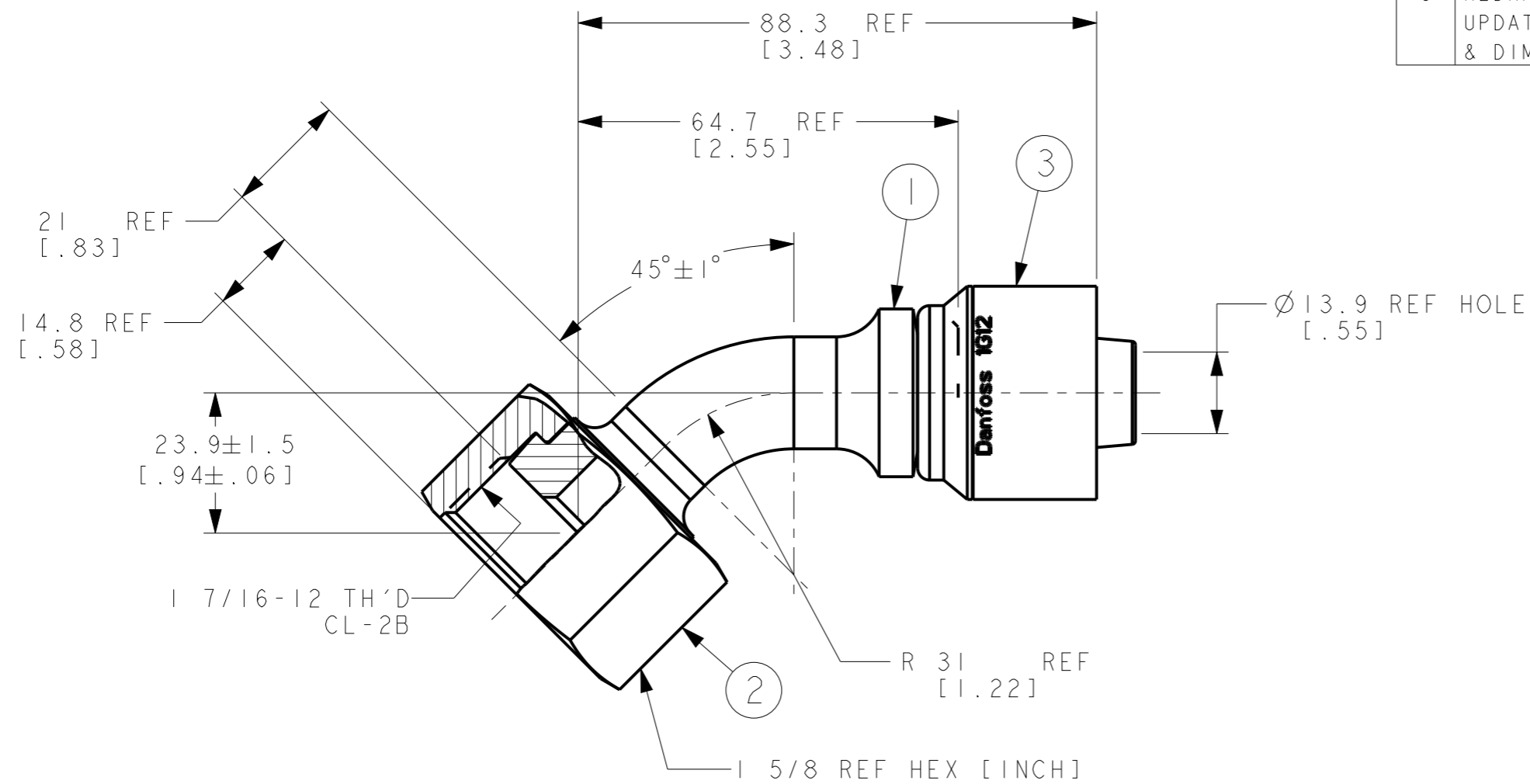


REVISIONS			
REV	DESCRIPTION	DATE	APPROVED
G	REDRAWN & REDESIGNED. UPDATED TO LATEST FORMAT & DIMENSION STYLE.	2018-12-28 RZH	CO-0179419


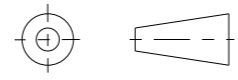


METRIC

6	3	IGA16FRA12	IF40022-1612AB	FC2326-16S	IG12		
		PART NUMBER	① NIPPLE	② NUT	③ SOCKET		

LIST OF MATERIALS

ITEM NO.	MATERIAL
1	STEEL
2	STEEL
3	STEEL

FLUID CONVEYANCE DIVISION MAUMEE, OHIO U.S.A.		DRAWN	R. HODEKAR
		CHECKED	R. HODEKAR
		APPROVED	J. HINTON
CO-0179419		RELEASE DATE	2018-12-28
CAGE CODE 01276		DRAWING INTERPRETATION PER ES 10	
THIRD ANGLE PROJECTION		DRAWING TITLE	
		FITTING ASSEMBLY	
SIZE A3		45°, ORS FEMALE SWIVEL, OTC	
SCALE 1/1		DRAWING NUMBER	REV
SHEET 1		IGA16FRA12	G
<small>THE REPRODUCTION, DISTRIBUTION, AND UTILIZATION OF THIS DOCUMENT AS WELL AS THE COMMUNICATION OF ITS CONTENTS TO OTHERS WITHOUT EXPLICIT AUTHORIZATION IS PROHIBITED. OFFENDERS WILL BE HELD LIABLE FOR THE PAYMENT OF DAMAGES. ALL RIGHTS RESERVED IN THE EVENT OF THE GRANT OF A PATENT, UTILITY MODEL OR DESIGN. (PER ISO 16016)</small>			

- ⑥ ISAI6FRA12 NIPPLE ASSEMBLY MAY BE SUBSTITUTED FOR ITEMS #1 AND #2.
- ⑤ CRIMP SOCKET PER ACES 2813.
- 4. ASSEMBLE NUT.
- ③ ZINC PLATE PER ES 2751.
- 2. BEND NIPPLE TO DIMENSIONS SHOWN.
- 1. DIMENSIONS ARE IN MILLIMETERS [INCHES].