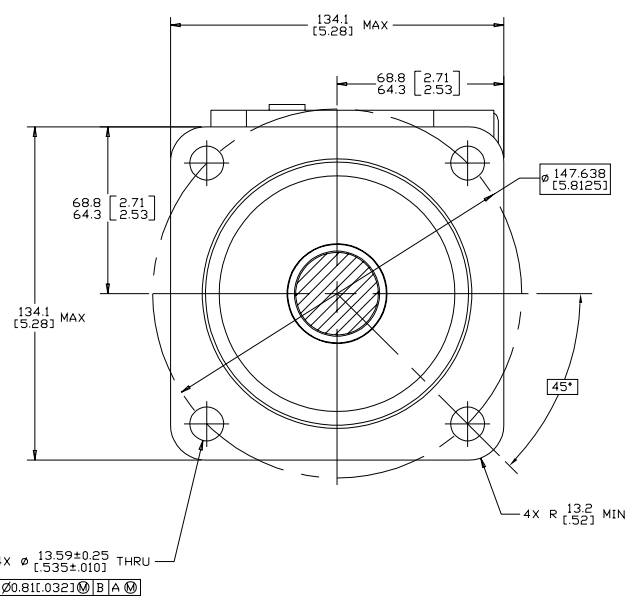
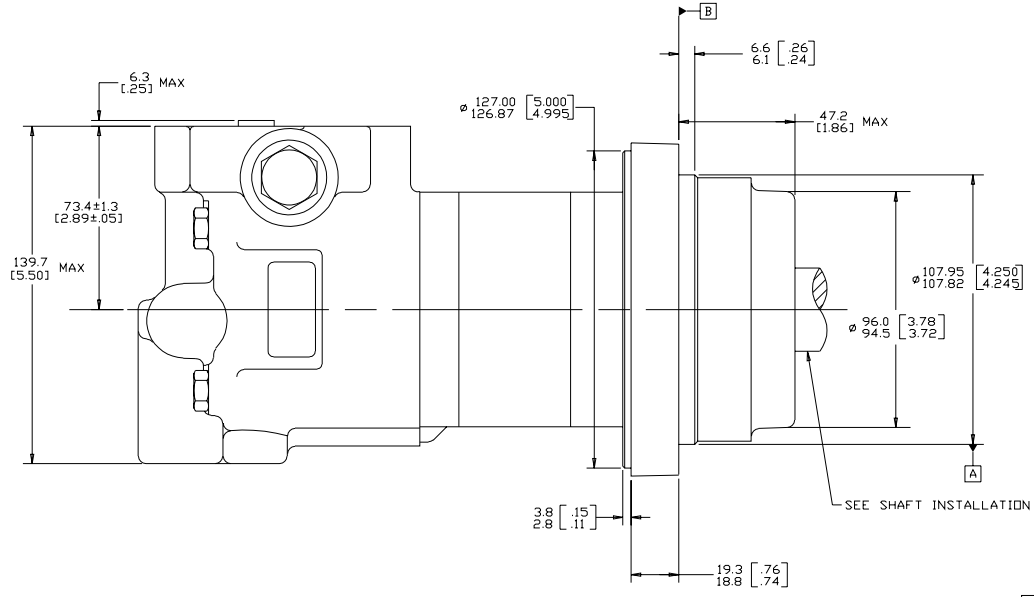
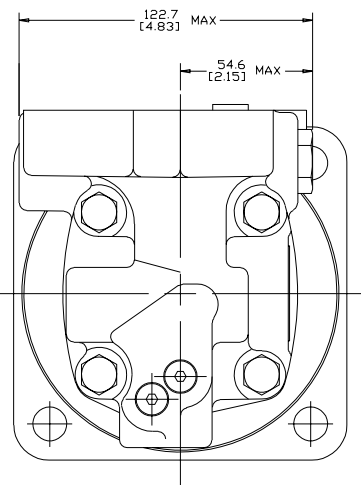
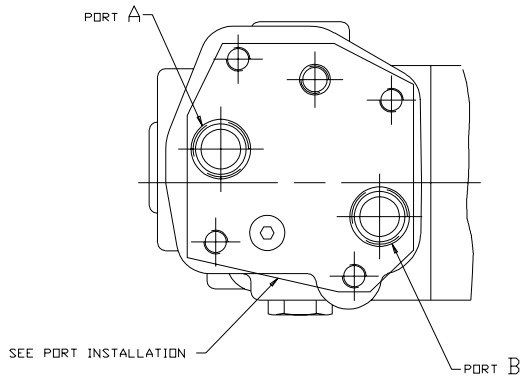


SYM	REVISION	BY	DATE	ECN
A	ENGINEERING RELEASE	RAF	11-23-93	24603
B	(1A) DOCUMENT NUMBER WAS A-664-004	RAF	03-08-94	25246
C	REVISED AS PER STACK-UP	SMT	06-21-12	0041584



NOTE

1 ROTATION:  
 STANDARD: WHEN FACING SHAFT END OF MOTOR, SHAFT TO ROTATE;  
 CLOCKWISE WHEN PORT 'A' IS PRESSURIZED  
 COUNTERCLOCKWISE WHEN PORT 'B' IS PRESSURIZED  
 REVERSE: WHEN FACING SHAFT END OF MOTOR, SHAFT TO ROTATE;  
 CLOCKWISE WHEN PORT 'B' IS PRESSURIZED  
 COUNTERCLOCKWISE WHEN PORT 'A' IS PRESSURIZED

2 MOUNTING TYPE: AB  
 WHEEL, 4 BOLT, 108.0 [4.25] PILOT DIA. 135.9 [5.35] DIA.  
 HOLES ON 147.6 [5.81] DIA. BOLT CIRCLE. 127 [5.00] DIA.  
 REAR MOUNT PILOT

**REVIEWED FOR CLASSIFICATION PER ESP-042**

DRAWING BASED ON ANSI Y14.5M-1994

UNLESS OTHERWISE SPECIFIED ALL DIMENSIONS ARE IN INCHES <input type="checkbox"/> MILLIMETERS <input checked="" type="checkbox"/>	THE REPRODUCTION, DISTRIBUTION AND UTILIZATION OF THIS DOCUMENT, AS WELL AS THE COMMUNICATION OF ITS CONTENTS TO OTHERS WITHOUT EXPRESS AUTHORIZATION IS PROHIBITED. OFFENDERS WILL BE HELD LIABLE FOR THE PAYMENT OF DAMAGES. ALL RIGHTS RESERVED IN THE EVENT OF A PATENT, UTILITY MODEL, OR DESIGN. (PER ISO 10116)		
TOLERANCES	MATERIAL/HEAT TREAT		
X = -	DRAWN BY: <b>RAF</b>	DATE: <b>06-21-12</b>	TITLE <b>2000 SERIES - TWO SPEED MOTOR INSTALLATION</b>
XX = -	CHECKED BY: <b>RAF</b>	DATE: <b>06-21-12</b>	
XXX = -	ENG. BY: <b>RAF</b>	DATE: <b>06-21-12</b>	NUMBER <b>A-664-009</b>
UNSPECIFIED RADI ARE: -	REWORK BY: <b>RAF</b>	DATE: <b>06-21-12</b>	SCALE <b>1/1</b>
DRAFT ANGLES ARE: -	THIRD ANGLE PROJECTION	DO NOT SCALE	SHEET <b>1</b> OF <b>1</b>