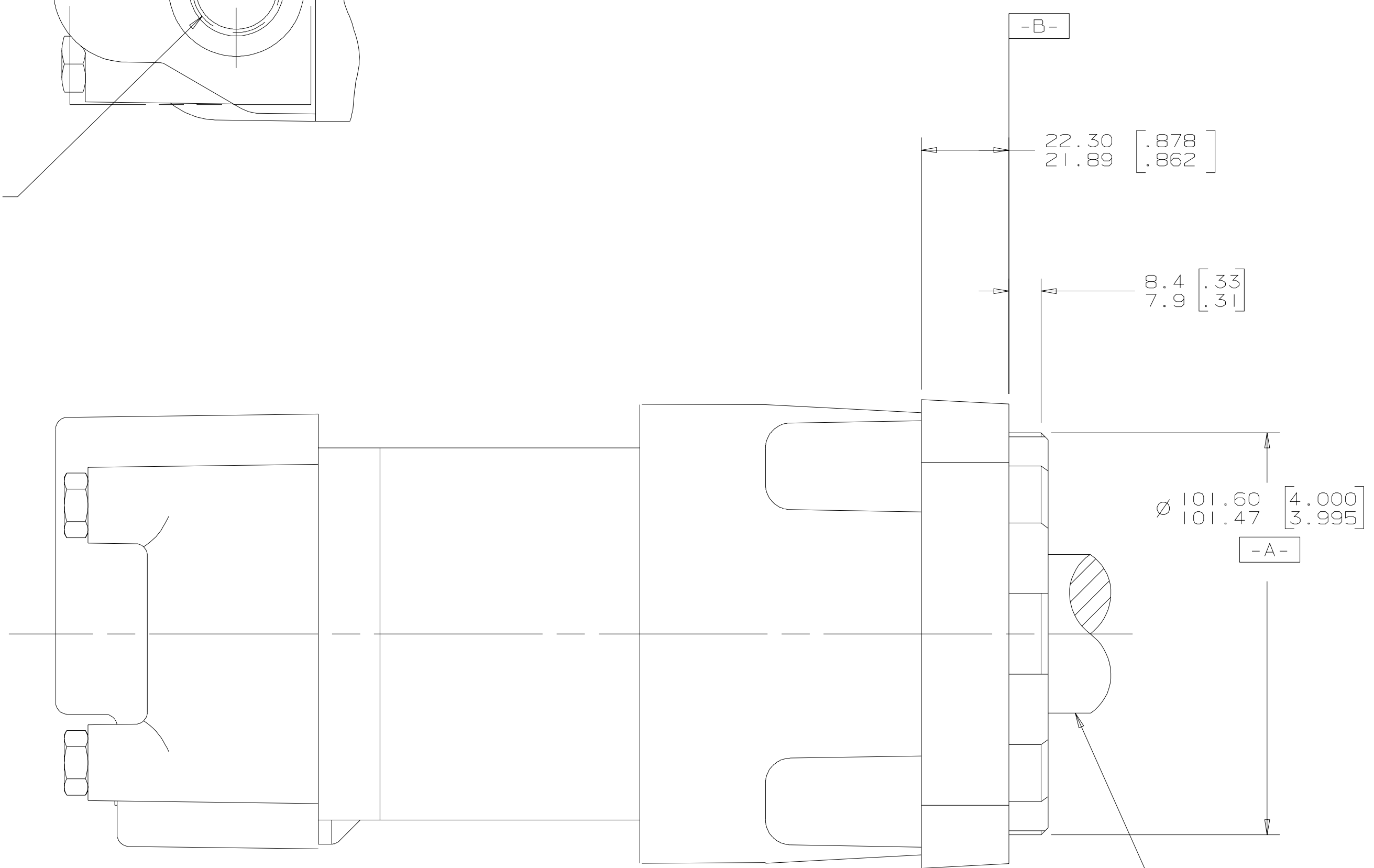
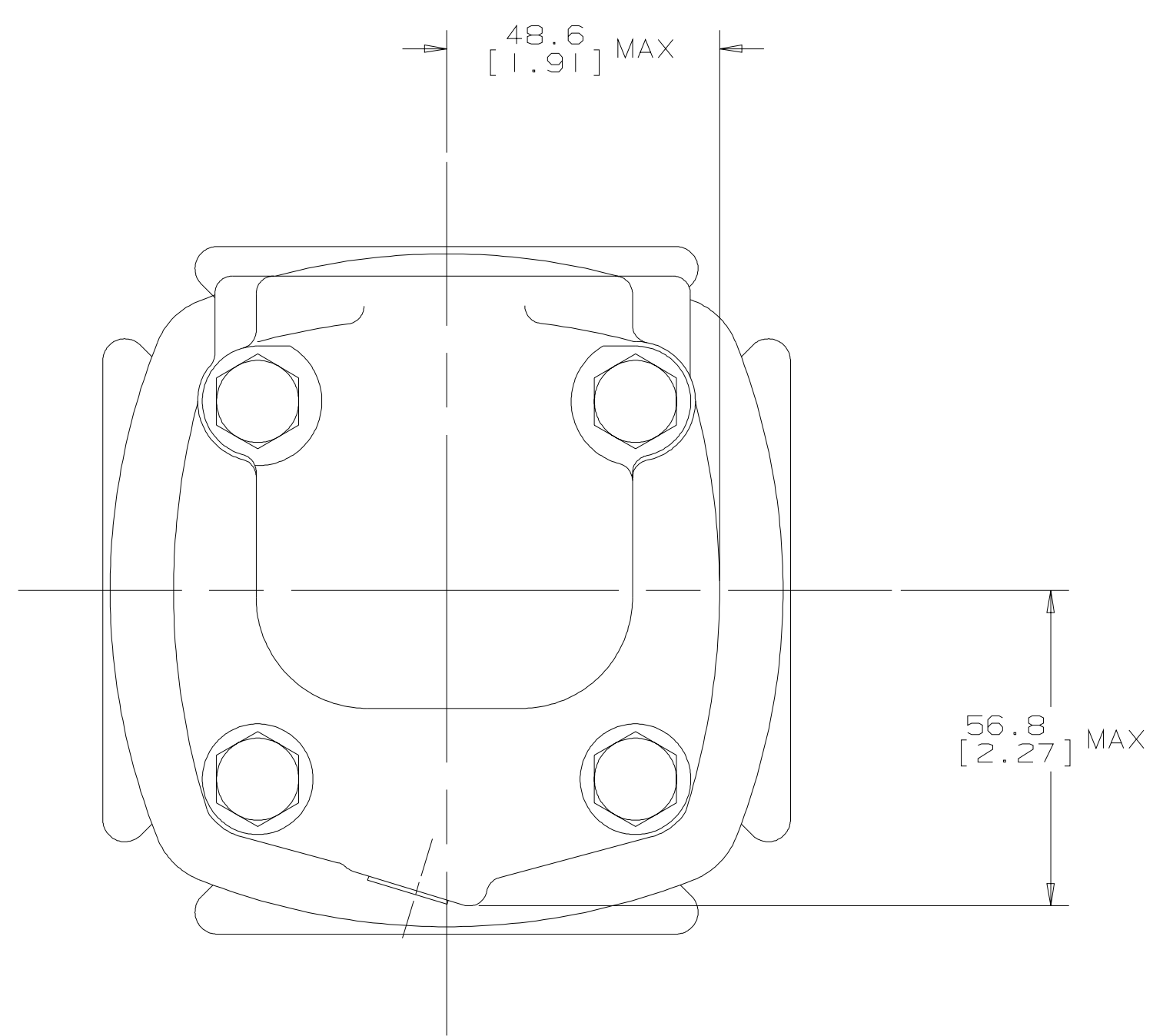
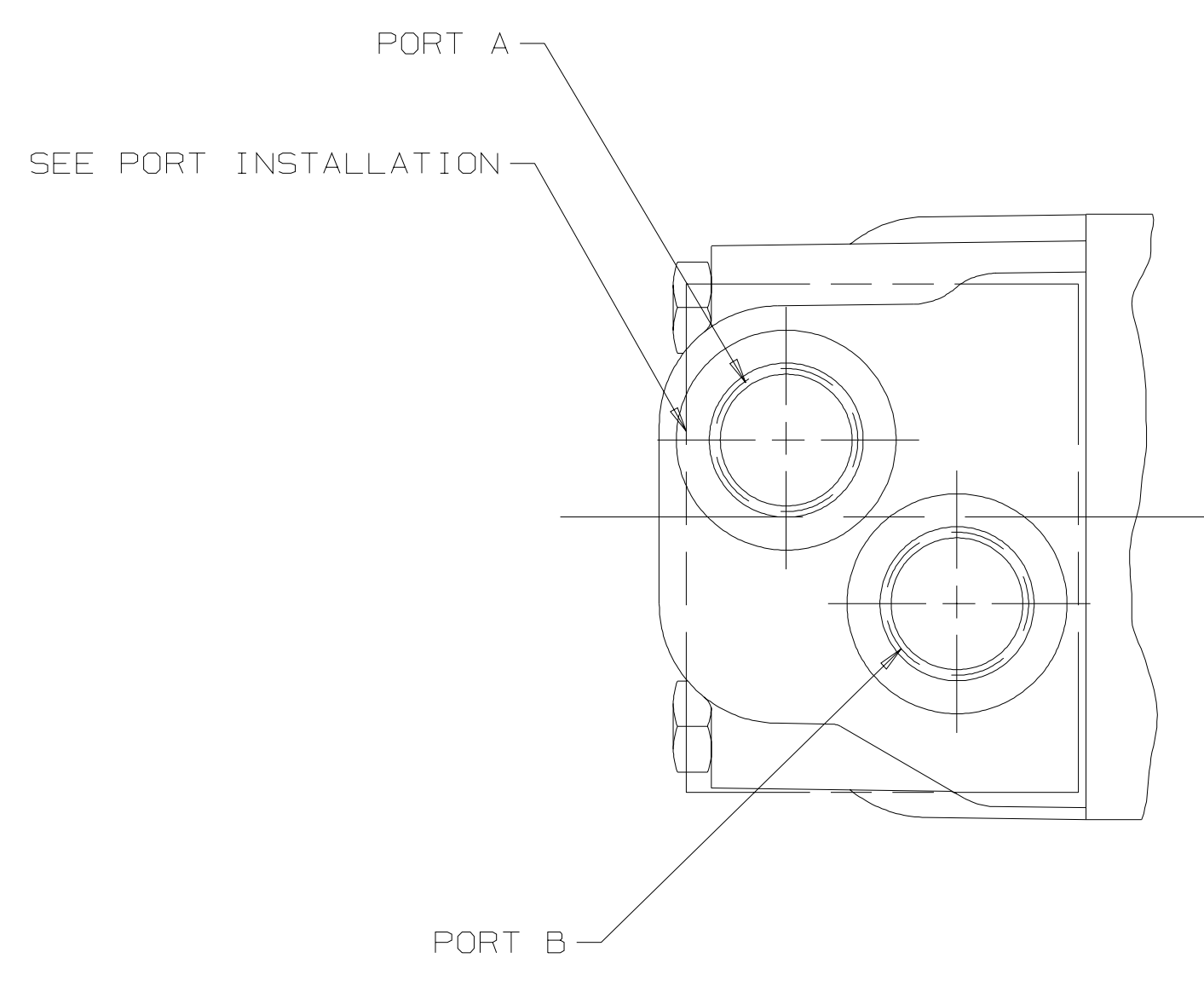
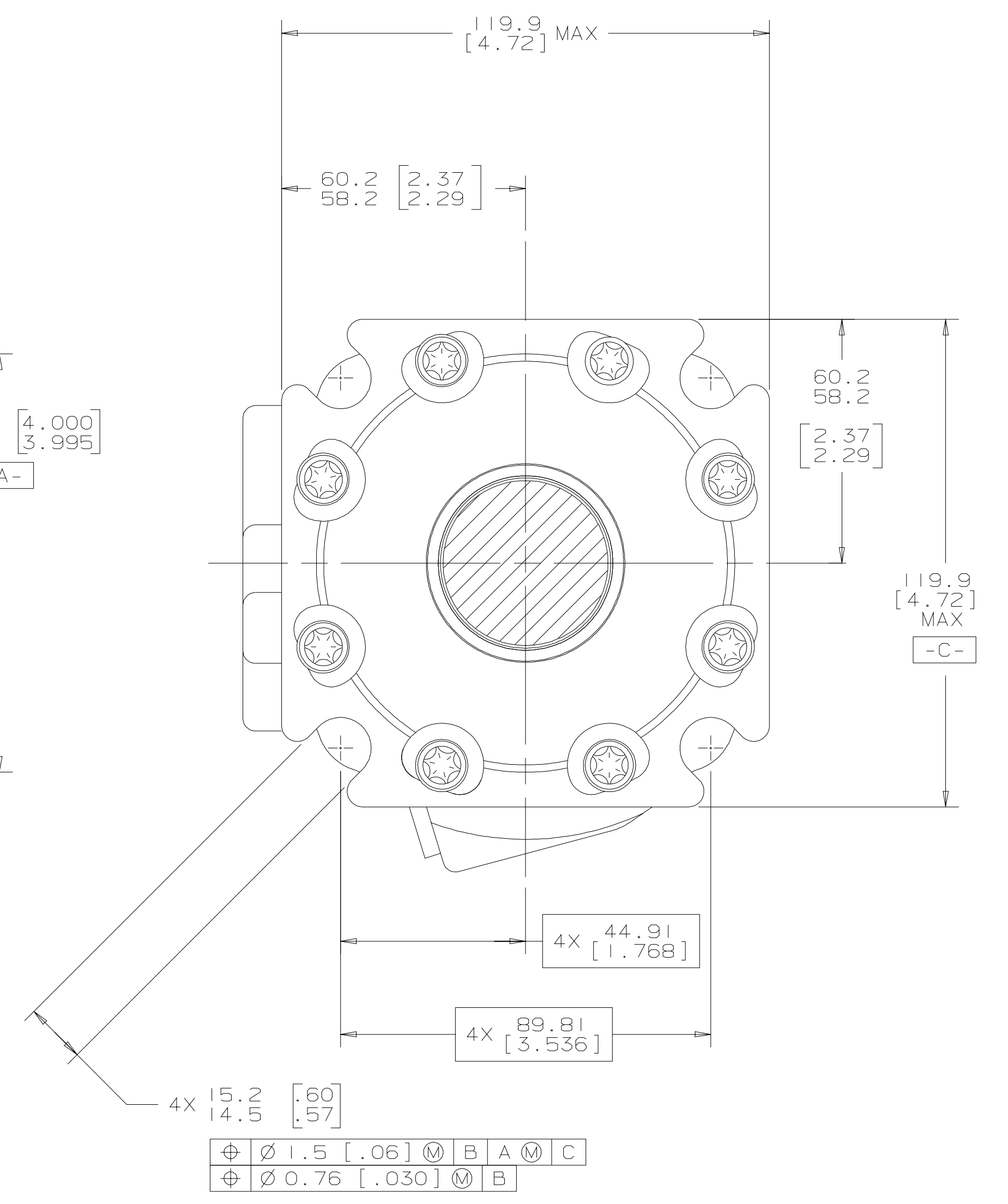


REV	DESCRIPTION	BY	CHK	DATE	ECN
A	ENGINEERING RELEASE	SRK		07-14-04	M62267
B	REVISED (SEE ATTACHMENT FOR MORE INFO)	AMM	SSD	07-06-09	M76364



SEE SHAFT INSTALLATION



- NOTE
- ROTATION:  
STANDARD: WHEN FACING SHAFT END OF MOTOR, SHAFT TO ROTATE; CLOCKWISE WHEN PORT "A" IS PRESSURIZED; COUNTERCLOCKWISE WHEN PORT "B" IS PRESSURIZED  
REVERSE: WHEN FACING SHAFT END OF MOTOR, SHAFT TO ROTATE; CLOCKWISE WHEN PORT "B" IS PRESSURIZED; COUNTERCLOCKWISE WHEN PORT "A" IS PRESSURIZED
  - MOUNTING TYPE: BB  
STANDARD, 4 BOLT:  $\phi 101.60$  [4.000] PILOT  
14.7 [.58] SLOTS ON  $\phi 127.00$  [5.000] BOLT CIRCLE (SAE B)

REVIEWED FOR CLASSIFICATION PER ESP-042

UNLESS OTHERWISE SPECIFIED ALL DIMENSIONS ARE IN INCHES <input type="checkbox"/> MILLIMETERS <input checked="" type="checkbox"/>		DRAWING BASED ON ANSI Y14.5M-1982	
THE REPRODUCTION, DISTRIBUTION, AND UTILIZATION OF THIS DOCUMENT, AS WELL AS THE COMMUNICATION OF ITS CONTENTS TO OTHERS WITHOUT EXPLICIT AUTHORIZATION IS PROHIBITED. OFFENDERS WILL BE HELD LIABLE FOR THE PAYMENT OF DAMAGES. ALL RIGHTS RESERVED IN THE EVENT OF THE GRANT OF A PATENT, UTILITY MODEL, OR DESIGN. (PER ISO 16016)			
TOLERANCES .X --- .XX --- .XXX --- /	DRAIN BY/DATE SRK 07-15-04 CHECKED BY/DATE AGJ 07-15-04	MATERIAL/HEAT TREAT	
UNSPECIFIED RADI ARE ---	ENGR. BY/DATE TIM 07-15-04 METALLURGY BY/DATE	TITLE 4000 COMPACT SERIES MOTOR INSTALL	
UNSPECIFIED DRAFT ANGLES ARE ---	THIRD ANGLE PROJECTION	MICROINCHES <input type="checkbox"/> MICROMETERS <input type="checkbox"/> MICROINCHES <input type="checkbox"/>	NUMBER A-1329-044
DRAWING FORMAT CADD <input checked="" type="checkbox"/> MANUAL <input type="checkbox"/>	DO NOT SCALE	ARITHMETICAL AVERAGE	SCALE 1/1 SHEET 1 OF 1