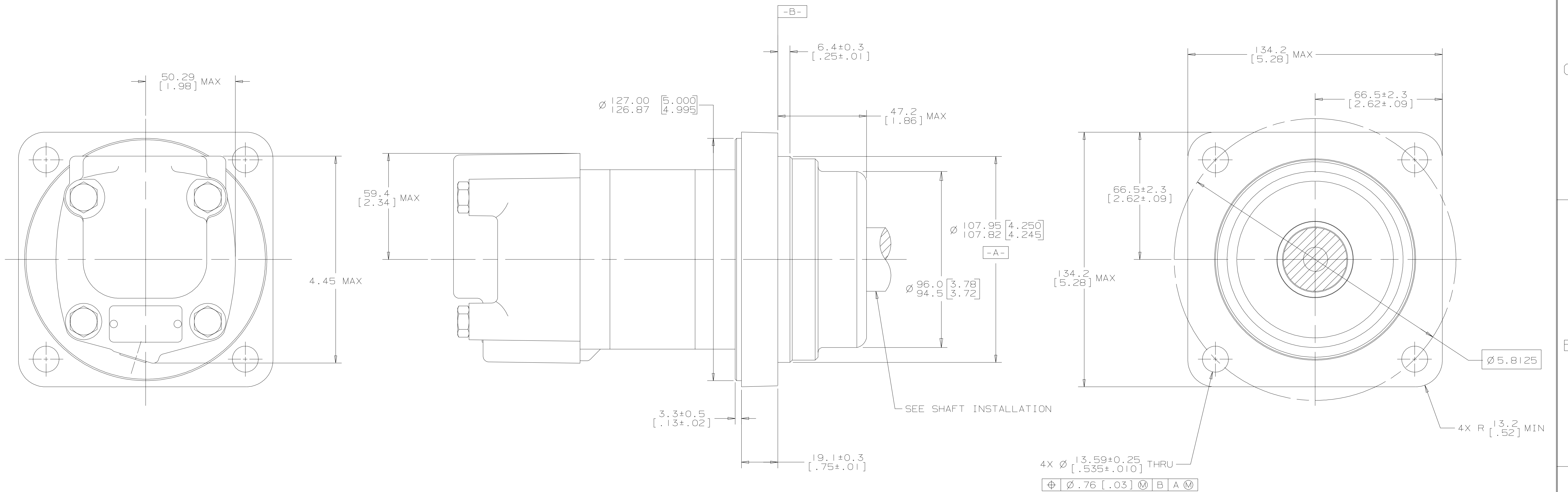
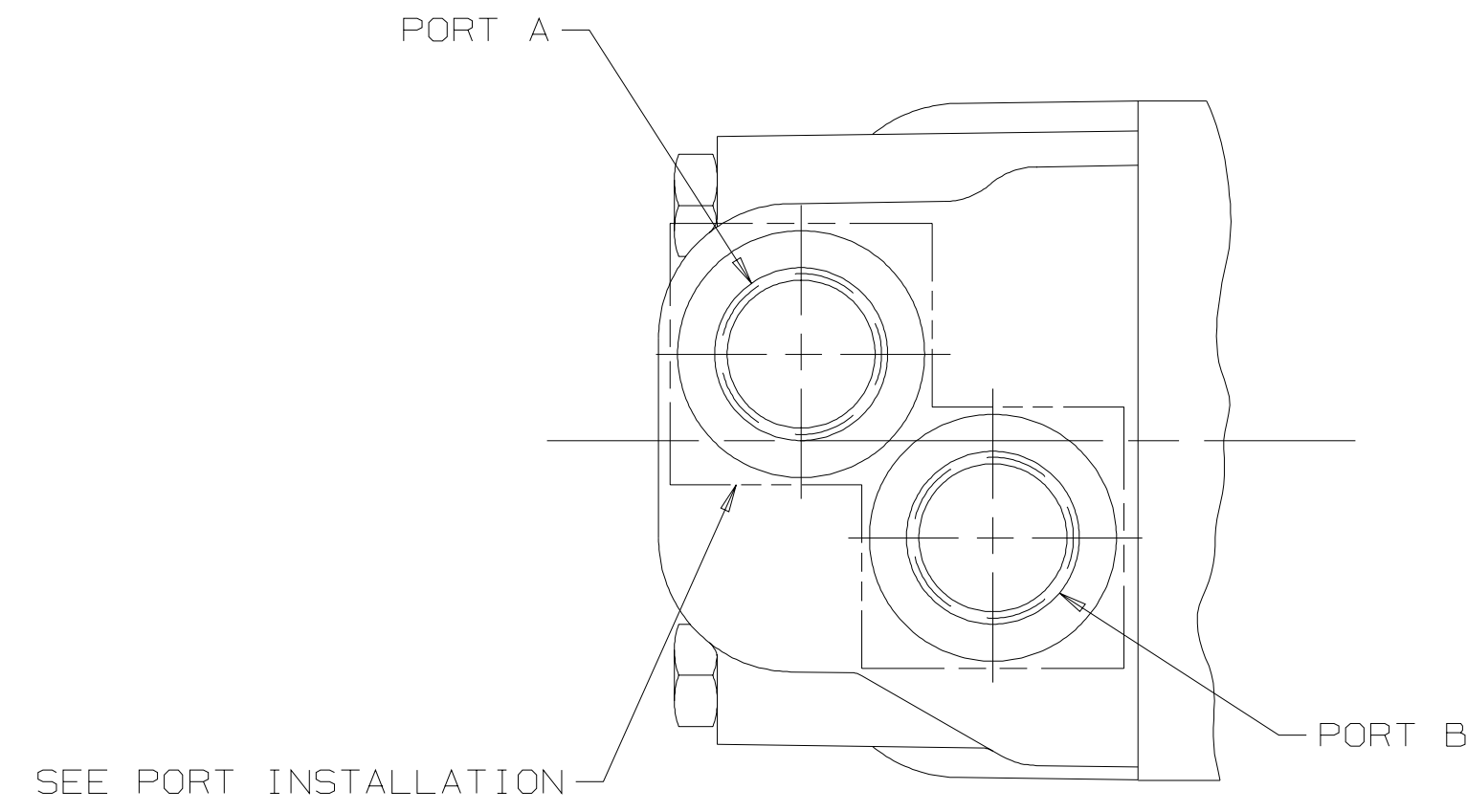


REV	DESCRIPTION	BY	CHK	DATE	ECN
A	ENGINEERING RELEASE	RAF		7/8/99	M21729A
B	-1) (4B) ADDED Ø93.0/91.4 [3.66/3.60] -2) (4C) ADDED 21.6 [.85] MAX -3) REVISED PICTORIALLY	JMS		7-29-99	33164
C	(5A) NOTE 2 WAS ... Ø 127.0 [5.00] REAR MOUNT PILOT	AGJ		2-10-03	43466
D	-1) (4C) REMOVED 21.6 [.85] -2) (4B) WAS 93.0 [3.66] 91.4 [3.60]	SSD		07-19-07	0008918
E	REVISED	SVG		05-26-09	M76034



NOTE

- ROTATION:
STANDARD: WHEN FACING SHAFT END OF MOTOR, SHAFT TO ROTATE;
CLOCKWISE WHEN PORT "A" IS PRESSURIZED
COUNTERCLOCKWISE WHEN PORT "B" IS PRESSURIZED

REVERSE: WHEN FACING SHAFT END OF MOTOR, SHAFT TO ROTATE;
CLOCKWISE WHEN PORT "B" IS PRESSURIZED
COUNTERCLOCKWISE WHEN PORT "A" IS PRESSURIZED
- MOUNTING TYPE: AB
WHEEL, 4 BOLT: Ø 108.0 [4.25] PILOT
Ø 13.59 [.535] HOLES ON Ø 147.6 [5.81] BOLT CIRCLE
Ø 126.95 [4.998] REAR MOUNT PILOT

UNLESS OTHERWISE SPECIFIED ALL DIMENSIONS ARE IN		DRAWING BASED ON ANSI Y14.5M-1982	
INCHES <input type="checkbox"/>	MILLIMETERS <input checked="" type="checkbox"/>	THE REPRODUCTION, DISTRIBUTION, AND UTILIZATION OF THIS DOCUMENT, AS WELL AS THE COMMUNICATION OF ITS CONTENTS TO OTHERS WITHOUT EXPLICIT AUTHORIZATION IS PROHIBITED. OFFENDERS WILL BE HELD LIABLE FOR THE PAYMENT OF DAMAGES. ALL RIGHTS RESERVED IN THE EVENT OF THE GRANT OF A PATENT, UTILITY MODEL, OR DESIGN. (PER ISO 18016)	
TOLERANCES			
.XX ±	----		
.XXX ±	----	DRAWN BY/DATE: RAF 7/9/99 CHECKED BY/DATE: RCB 7-12-99 ENGR. BY/DATE: TRF 7-12-99 METALLURGY: ----- UNDESIGNED RADI ARE: ----- UNDESIGNED DRAFT ANGLES ARE: ----- DRAWING FORMAT: CADD <input checked="" type="checkbox"/> MANUAL <input type="checkbox"/>	MATERIAL/HEAT TREAT: ----- TITLE: 4000 COMPACT SERIES MOTOR INSTALLATION NUMBER: A-1329-012 SCALE: 1/1 SHEET: 1 OF 1
THIRD ANGLE PROJECTION <input checked="" type="checkbox"/>	DO NOT SCALE	ARITHMETICAL AVERAGE	