

8			7			6			5			4		
MOUNTING TYPE AB,AM,AP			MOUNTING TYPE AC			MOUNTING TYPE AE			MOUNTING TYPE AG			MOUNTING TYPE AJ		
DISP	C	E MAX	DISP	C	E MAX	DISP	C	E MAX	DISP	C	E MAX	DISP	C	E MAX
10	113.8-115.3 [4.48-4.54]	162.0 [6.38]	10	154.2-155.4 [6.07-6.12]	201.9 [7.95]	10	99.5-97.5 [3.76-3.84]	144.3 [5.68]	10	141.7-143.8 [5.58-5.66]	190.5 [7.50]	10	157.5-159.5 [6.20-6.28]	206.0 [8.11]
12	122.9-124.5 [4.84-4.90]	171.0 [6.73]	12	163.1-164.6 [6.42-6.48]	211.1 [8.31]	12	104.6-106.9 [4.12-4.21]	153.4 [6.04]	12	151.1-152.7 [5.95-6.01]	199.4 [7.85]	12	166.6-168.7 [6.56-6.64]	215.1 [8.47]
15	134.4-135.6 [5.29-5.34]	182.4 [7.18]	15	174.5-175.8 [6.87-6.92]	222.5 [8.76]	15	116.1-118.1 [4.57-4.65]	164.8 [6.49]	15	162.3-163.8 [6.39-6.45]	210.6 [8.29]	15	178.1-179.8 [7.01-7.08]	226.6 [8.92]
20	150.4-151.6 [5.92-5.97]	198.4 [7.81]	20	190.5-191.8 [7.50-7.55]	238.5 [9.39]	20	132.1-134.1 [5.20-5.28]	180.8 [7.12]	20	178.3-179.8 [7.02-7.08]	226.6 [8.92]	20	194.0-195.8 [7.64-7.71]	242.6 [9.55]
24	150.4-151.6 [5.92-5.97]	198.4 [7.81]	24	190.5-191.8 [7.50-7.55]	238.5 [9.39]	24	132.1-134.1 [5.20-5.28]	180.8 [7.12]	24	178.3-179.8 [7.02-7.08]	226.6 [8.92]	24	194.1-195.8 [7.64-7.71]	242.6 [9.55]
25	167.6-169.2 [6.60-6.66]	215.7 [8.49]	25	207.8-209.3 [8.18-8.23]	255.8 [10.07]	25	149.4-151.6 [5.88-5.97]	198.1 [7.80]	25	194.8-196.6 [7.67-7.74]	243.4 [9.58]	25	211.3-213.4 [8.32-8.40]	259.8 [10.23]
30	167.6-169.2 [6.60-6.66]	215.7 [8.49]	30	207.8-209.3 [8.18-8.23]	255.8 [10.07]	30	149.4-151.6 [5.88-5.97]	198.1 [7.80]	30	194.8-196.6 [7.67-7.74]	243.4 [9.58]	30	211.3-213.4 [8.32-8.40]	259.8 [10.23]

REV	DESCRIPTION	BY	CHK	DATE	ECN
A	ENGINEERING RELEASE	MLL	RAF	1-13-00	35758
B	ENGINEERING RELEASE '25' DISPLACEMENT TO ALL TABS	MGF		3-14-03	43518
C	ADDED MOUNTING TABULATIONS BB, BE AND BG	AGJ		1-19-05	50534
D	DISPLACEMENT CODE CHANGED FROM '19' TO '20'	SKS		7-12-05	52236
E	-1X(7)REVISED MOUNTING TYPE 'AC' TAB -2X(6C) 6*±1* WAS 4*±1*	MPN	VVH	10-14-19	M111606

MOUNTING TYPE BB

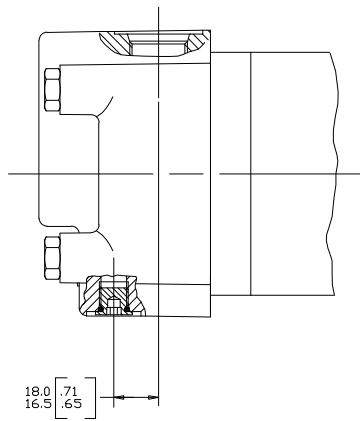
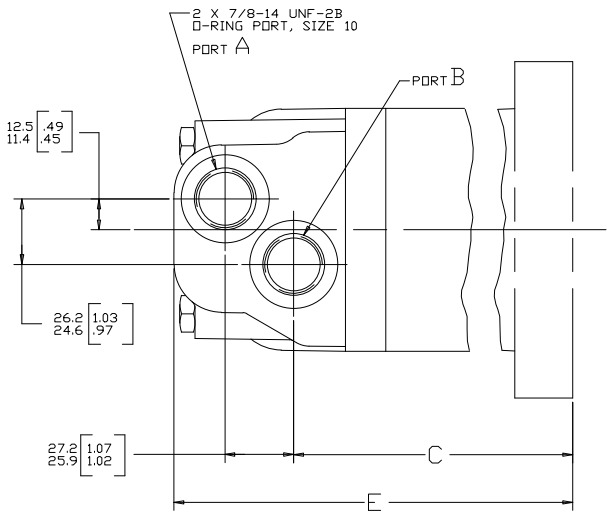
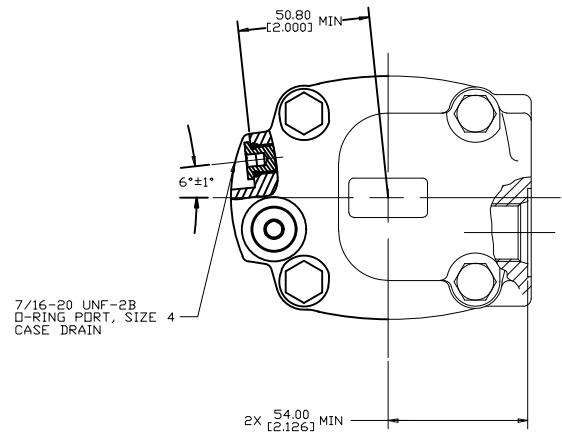
DISP	C	E MAX
10	163.8-165.4 [6.45-6.51]	211.8 [8.34]
12	172.7-174.2 [6.80-6.86]	221.0 [8.70]
15	184.2-185.7 [7.25-7.31]	241.0 [9.49]
20	200.2-201.7 [7.88-7.94]	248.2 [9.77]
24	200.2-201.7 [7.88-7.94]	248.2 [9.77]
25	217.4-218.9 [8.56-8.62]	265.7 [10.46]
30	217.4-218.9 [8.56-8.62]	265.7 [10.46]

MOUNTING TYPE BE

DISP	C	E MAX
10	93.0-94.2 [3.66-3.71]	141.0 [5.55]
12	102.1-103.4 [4.02-4.07]	150.1 [5.91]
15	113.5-114.8 [4.47-4.52]	161.5 [6.36]
20	129.5-130.8 [5.10-5.15]	177.5 [6.99]
24	129.5-130.8 [5.10-5.15]	177.5 [6.99]
25	146.8-148.1 [5.78-5.83]	194.8 [7.67]
30	146.8-148.1 [5.78-5.83]	194.8 [7.67]

MOUNTING TYPE BG

DISP	C	E MAX
10	127.5-128.8 [5.02-5.07]	175.5 [6.91]
12	136.6-137.9 [5.38-5.43]	184.6 [7.27]
15	148.1-149.4 [5.83-5.88]	196.1 [7.72]
20	164.1-165.4 [6.46-6.51]	212.1 [8.35]
24	164.1-165.4 [6.46-6.51]	212.1 [8.35]
25	181.4-182.6 [7.14-7.19]	229.4 [9.03]
30	181.4-182.6 [7.14-7.19]	229.4 [9.03]



NOTE
1 PORT OPTION AA

UNLESS OTHERWISE SPECIFIED ALL DIMENSIONS ARE IN INCHES <input type="checkbox"/> MILLIMETERS <input checked="" type="checkbox"/>		DRAWING BASED ON ASME Y14.5-2009													
TOLERANCES		THE REPRODUCTION, DISTRIBUTION, AND UTILIZATION OF THIS DOCUMENT, AS WELL AS THE COMMUNICATION OF ITS CONTENTS TO OTHERS WITHOUT EXPLICIT AUTHORIZATION IS PROHIBITED. OFFENDERS WILL BE HELD LIABLE FOR THE PAYMENT OF DAMAGES. ALL RIGHTS RESERVED IN THE EVENT OF A PATENT, UTILITY MODEL OR DESIGN (PER ISO 10166)													
x	----	<table border="1"> <tr> <td>DRAWN BY/DATE</td> <td>ML</td> <td>17-00</td> <td>MATERIAL/HEAT TREAT</td> </tr> <tr> <td>CHECKED BY/DATE</td> <td>RAF</td> <td>1-24-00</td> <td></td> </tr> </table>		DRAWN BY/DATE	ML	17-00	MATERIAL/HEAT TREAT	CHECKED BY/DATE	RAF	1-24-00					
DRAWN BY/DATE	ML			17-00	MATERIAL/HEAT TREAT										
CHECKED BY/DATE	RAF	1-24-00													
xx + REF	----	<table border="1"> <tr> <td>UNSPECIFIED RADIUS ARE</td> <td>R</td> <td>----</td> <td>TITLE</td> </tr> <tr> <td>UNSPECIFIED DRIFT ANGLES ARE</td> <td>----</td> <td></td> <td>4000 COMPACT SERIES MOTOR PORT INSTALLATION</td> </tr> </table>		UNSPECIFIED RADIUS ARE	R	----	TITLE	UNSPECIFIED DRIFT ANGLES ARE	----		4000 COMPACT SERIES MOTOR PORT INSTALLATION				
UNSPECIFIED RADIUS ARE	R	----	TITLE												
UNSPECIFIED DRIFT ANGLES ARE	----		4000 COMPACT SERIES MOTOR PORT INSTALLATION												
----	----	<table border="1"> <tr> <td>DRAWING FORMAT</td> <td>DD NOT SCALE</td> <td>THIRD ANGLE PROJECTION</td> <td>ISO</td> </tr> <tr> <td>CAD</td> <td><input checked="" type="checkbox"/> MANUAL</td> <td>DO NOT SCALE</td> <td><input checked="" type="checkbox"/> METRIC/AVERAGE</td> </tr> </table>		DRAWING FORMAT	DD NOT SCALE	THIRD ANGLE PROJECTION	ISO	CAD	<input checked="" type="checkbox"/> MANUAL	DO NOT SCALE	<input checked="" type="checkbox"/> METRIC/AVERAGE				
DRAWING FORMAT	DD NOT SCALE	THIRD ANGLE PROJECTION	ISO												
CAD	<input checked="" type="checkbox"/> MANUAL	DO NOT SCALE	<input checked="" type="checkbox"/> METRIC/AVERAGE												
<table border="1"> <tr> <td>UNSPECIFIED RADIUS ARE</td> <td>R</td> <td>----</td> <td>NUMBER</td> </tr> <tr> <td>UNSPECIFIED DRIFT ANGLES ARE</td> <td>----</td> <td></td> <td>A-1331-005</td> </tr> </table>		UNSPECIFIED RADIUS ARE	R	----	NUMBER	UNSPECIFIED DRIFT ANGLES ARE	----		A-1331-005	<table border="1"> <tr> <td>SCALE</td> <td>1/1</td> <td>SHEET</td> <td>1 OF 1</td> </tr> </table>		SCALE	1/1	SHEET	1 OF 1
UNSPECIFIED RADIUS ARE	R	----	NUMBER												
UNSPECIFIED DRIFT ANGLES ARE	----		A-1331-005												
SCALE	1/1	SHEET	1 OF 1												